

X32K768S038

Crystal Resonator
7.0mm x 1.5mm



Powered By ABRACON

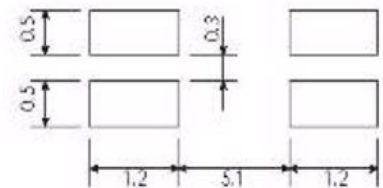
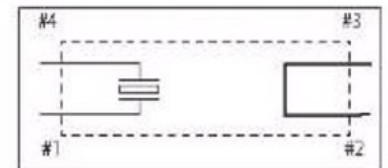
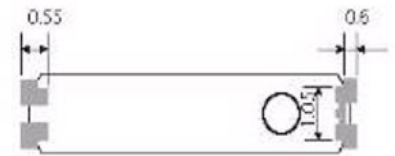
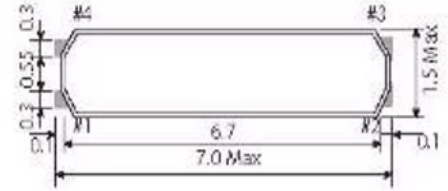
Features

- SMD Tuning Fork Crystal Resonator
- Tolerance: ± 20 ppm
- Operating Temperature -40°C to $+85^{\circ}\text{C}$

STANDARD SPECIFICATIONS

PARAMETERS	MAX (Unless otherwise noted)
Frequency Range	32.768000kHz
Resonance Mode	Fundamental
Frequency Tolerance @ 25°C	± 20 PPM
Temperature Range	
Operating (TOPR)	-40°C to $+85^{\circ}\text{C}$
Equivalent Series Resistance (ESR)	65,000 Ohm
Shunt Capacitance (C0)	Unspecified pF
Ageing	± 5 ppm (1st Year Max)
Load Capacitance	7.0 pF

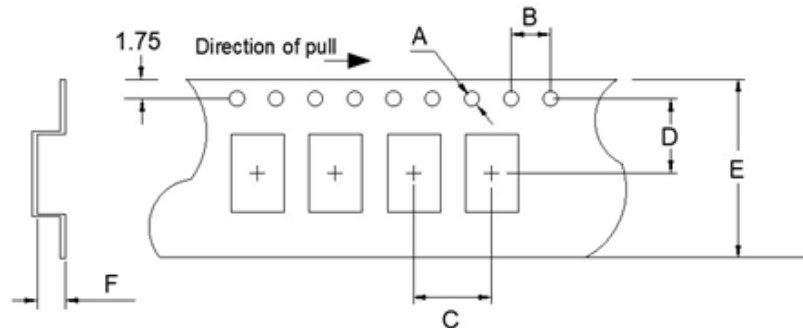
DIMENSIONS/MECHANICAL SPECIFICATIONS



Dimensions are in mm

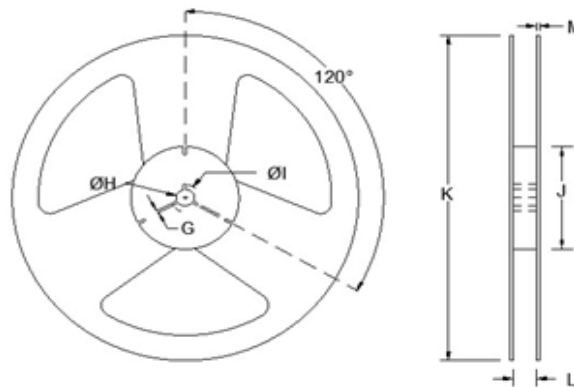
TAPE SPECIFICATIONS (mm)

A	B	C	D	E	F	REEL QTY
Ø1.5	4.0	4.0	5.5	12.0	0.65	3,000



REEL SPECIFICATIONS (mm)

G	H	I	J	K	L	M
2.0	Ø13	Ø21	Ø60.5	Ø180	14.0	2.0



RELIABILITY TEST CONDITIONS

Please contact Abracon Quality Assurance department