

X32K768S020

Crystal Resonator
7.1mm X 1.5mm

AEL
CRYSTALS

Powered By **ABRACON**

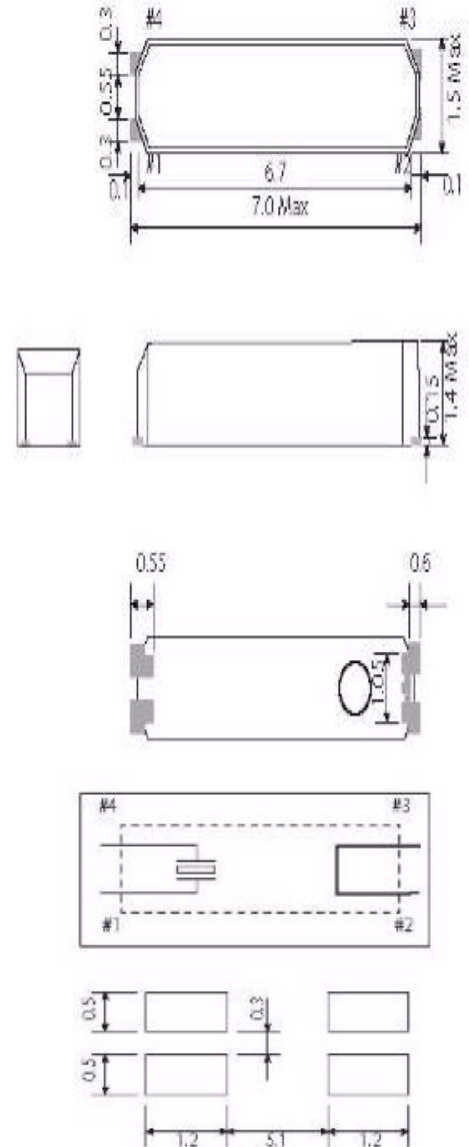
Features

- SMD Tuning Fork Crystal Resonator
- Tolerance ± 20 PPM
- Operating Temperature -40°C to $+85^{\circ}\text{C}$

STANDARD SPECIFICATIONS

PARAMETERS	MAX (Unless otherwise noted)
Frequency Range	32.768000kHz
Resonance Mode	Fundamental
Frequency Tolerance @ 25°C	± 20PPM
Temperature Range	
Operating (TOPR)	-40°C to $+85^{\circ}\text{C}$
Equivalent Series Resistance (ESR)	65k Ohm
Shunt Capacitance (C0)	0.8 pF
Load Capacitance (CL)	12.5 pF
Drive Level	0.001 mW
Ageing	± 3PPM 1st Year Max

DIMENSIONS / MECHANICAL SPECIFICATIONS



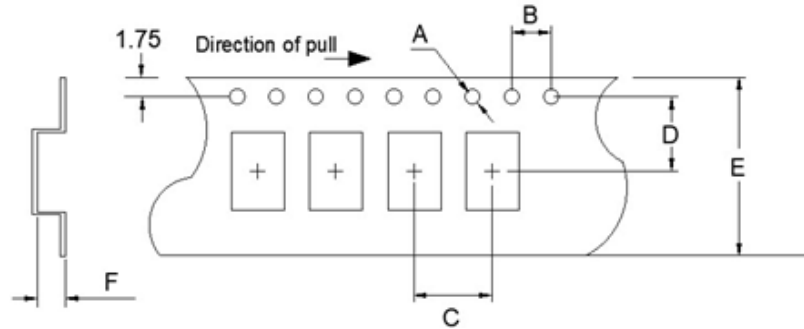
Dimensions are in mm

X32K768S020

Crystal Resonator
7.1mm X 1.5mm

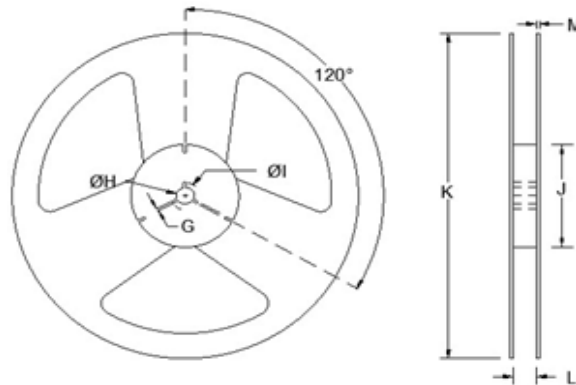
TAPE SPECIFICATIONS (mm)

A	B	C	D	E	F	REEL QTY
1.5	4.0	4.0	7.5	16.0	1.4	3,000



REEL SPECIFICATIONS (mm)

G	H	I	J	K	L	M
2.2	Ø13	Ø21	Ø50	180	17	1.2



RELIABILITY TEST CONDITIONS

Please contact Abracon Quality Assurance department