

X24M000000S050

Crystal Resonator
3.2mm x 2.5mm

AEL
CRYSTALS

Powered By ABRACON

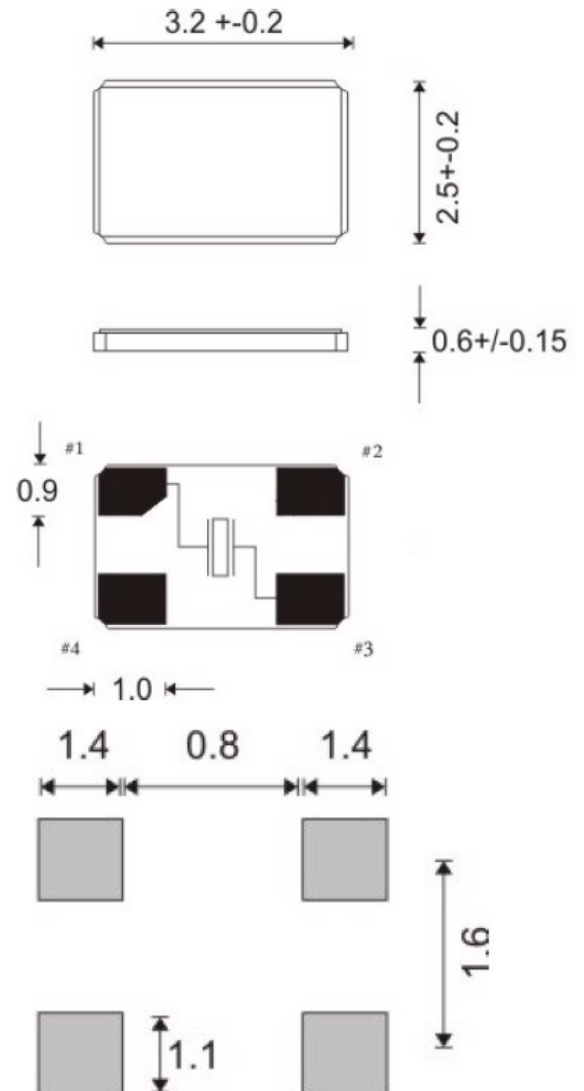
Features

- SMD Quartz Crystal Resonator
- Tolerance and Stability: $\pm 10\text{ppm}$ / $\pm 25\text{ppm}$
- Operating Temperature -40°C to $+85^{\circ}\text{C}$

STANDARD SPECIFICATIONS

PARAMETERS	MAX (Unless otherwise noted)
Frequency Range	24.000000MHz
Resonance Mode	Fundamental
Frequency Tolerance @ 25°C	$\pm 10\text{PPM}$
Frequency Stability, ref 25°C	$\pm 25\text{PPM}$
Temperature Range	
Operating (TOPR)	-40°C to $+85^{\circ}\text{C}$
Load Capacitance (CL)	10 pF
Equivalent Series Resistance (ESR)	Max 60 Ohm
Shunt Capacitance (CO)	Max 3.0 pF
Ageing per year	$\pm 3\text{PPM}$ (First Year Max)
Drive Level	Typ 0.1, Max 0.2 mW
Maximum Soldering Temp / Time	260°C / 10 seconds x2
Moisture Sensitivity Level (MSL) per J-STD-033	1
Termination Finish	Au over Ni
Seal Method	Seam
Lead (Pb) Free	Yes
RoHS Compliant	Yes

DIMENSIONS / MECHANICAL SPECIFICATIONS



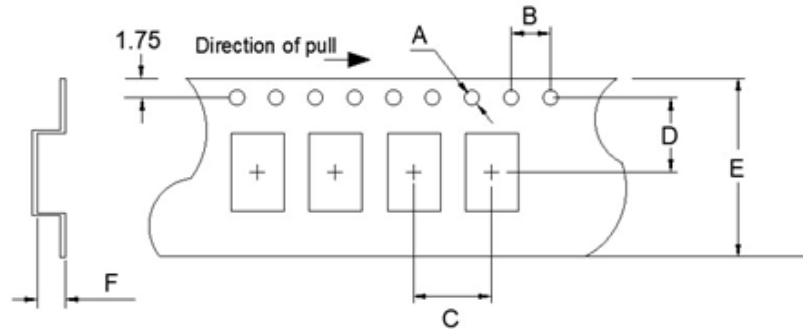
#2 & #4 connected via cover
(Connection to GND recommended)
Dimensions are in mm

X24M000000S050

Crystal Resonator
3.2mm x 2.5mm

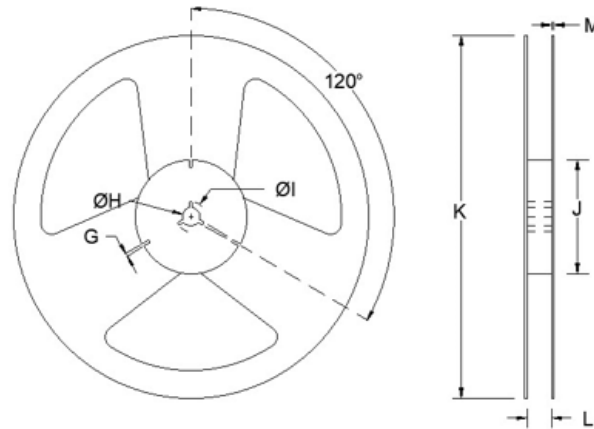
TAPE SPECIFICATIONS (mm)

A	B	C	D	E	F	REEL QTY
Ø1.5	4.0	4.0	3.5	8.0	0.85	3,000



REEL SPECIFICATIONS (mm)

G	H	I	J	K	L	M
2.0	Ø 13	Ø21	Ø60.5	Ø178	8.0	2.0



RELIABILITY TEST CONDITIONS

Please contact Abracon Quality Assurance department