

# X32K768S115

Crystal Resonator  
8.0mm x 4.0mm

**AEL**  
CRYSTALS

Powered By ABRACON

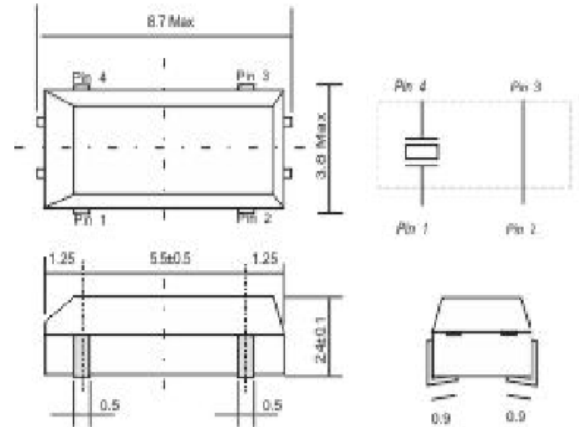
## Features

- SMD Tuning Fork Crystal Resonator
- Tolerance:  $\pm 20$ ppm
- Operating Temperature  $-40^{\circ}\text{C}$  to  $+85^{\circ}\text{C}$

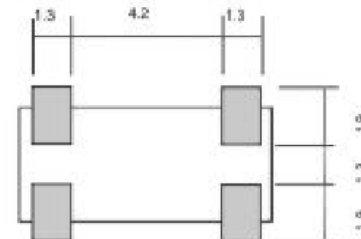
## STANDARD SPECIFICATIONS

PARAMETERS	MAX (Unless otherwise noted)
Frequency Range	32.768000MHz
Resonance Mode	Fundamental
Frequency Tolerance @ 25°C	$\pm 20$ PPM
Temperature Range	
Operating (TOPR)	$-40^{\circ}\text{C}$ to $+85^{\circ}\text{C}$
Equivalent Series Resistance (ESR)	50,000 Max Ohm
Shunt Capacitance (C0)	1.0 Typ pF
Ageing	$\pm 5$ ppm (PER YEAR Max)
Load Capacitance	12.5 pF
Drive Level	1.0uW Max
Dynamic Capacitance (C1)	2.2fF Typ

## DIMENSIONS/MECHANICAL SPECIFICATIONS



Suggested Pad Layout



Dimensions are in mm

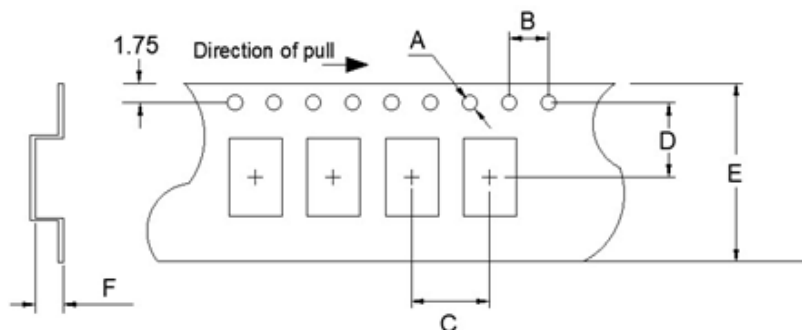
# X32K768S115

Crystal Resonator  
8.0mm x 4.0mm



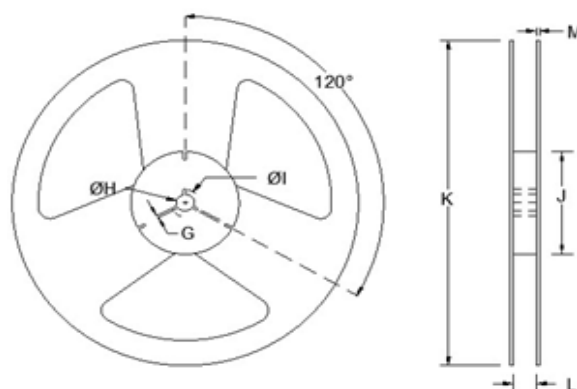
## TAPE SPECIFICATIONS (mm)

A	B	C	D	E	F	REEL QTY
1.5	4.0	8.0	7.5	16.0	2.8	3,000



## REEL SPECIFICATIONS (mm)

G	H	I	J	K	L	M
2.0	Ø13	Ø21	Ø80	330	17.5	2.0



## RELIABILITY TEST CONDITIONS

Please contact Abracon Quality Assurance department