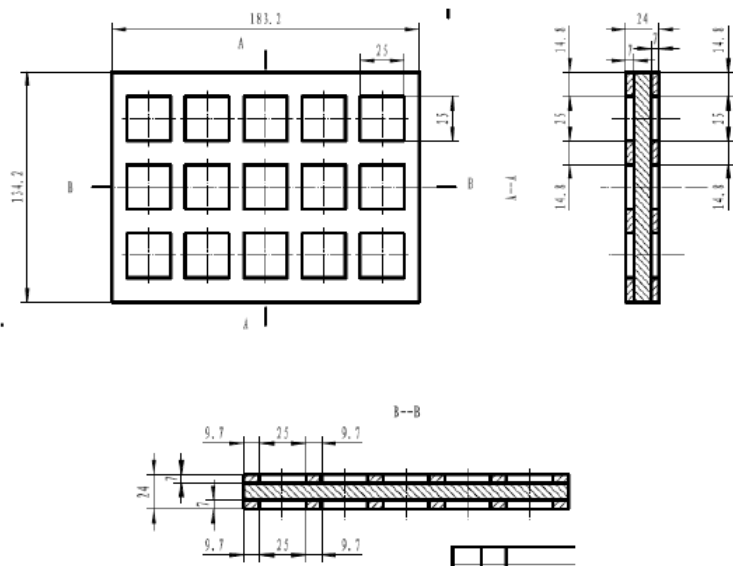


ECN/PCN No.: 4099

For Manufacturer			
Product Description: Oven Controlled Crystal Oscillator	Abracon Part Number / Part Series: AOCJY	<input type="checkbox"/> Documentation only <input checked="" type="checkbox"/> ECN <input type="checkbox"/> EOL	<input checked="" type="checkbox"/> Series <input type="checkbox"/> Part Number
Affected Revision: F	New Revision: G	Application:	<input type="checkbox"/> Safety <input checked="" type="checkbox"/> Non-Safety

Prior to Change:

Packaging: (15) units per tray

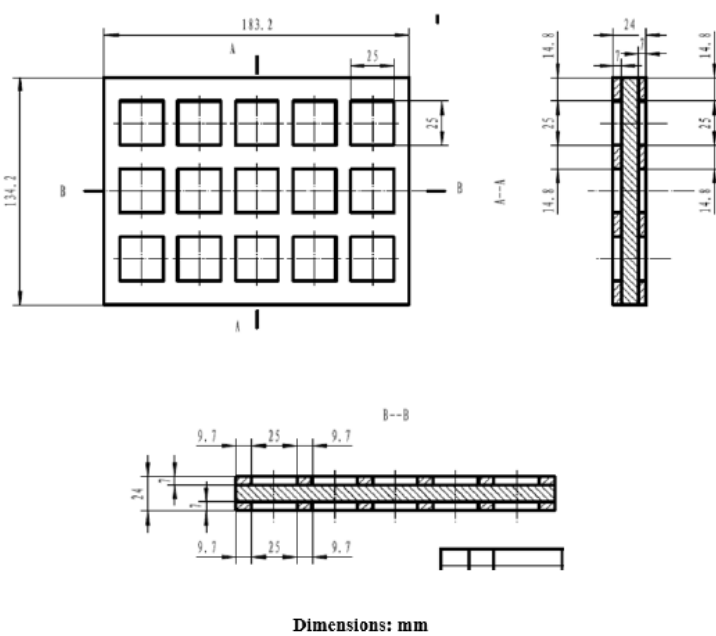
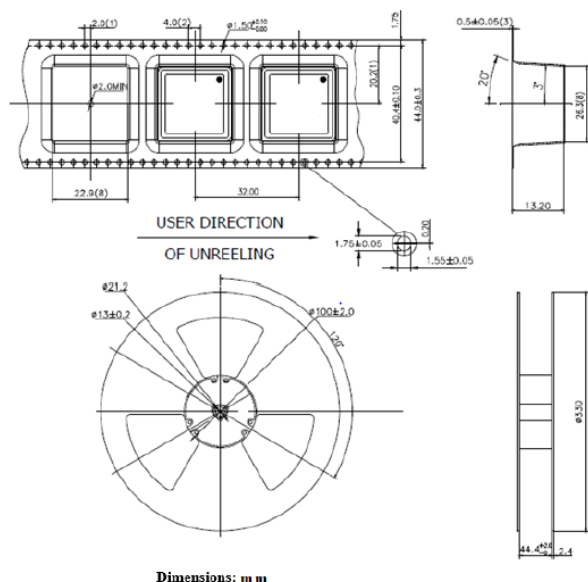


After Change:

Packaging

Tape & Reel=50 units
Tape & Reel packaging applies to MOQ>30 units

(15) units per tray
Tray packaging applies to MOQ less than or equal to 30 units



Cause/Reason for Change: Standard product series review and upgrade. Updated packing method for higher volume quantities.		
Change Plan		
Effective Date: 04/25/2022	Additional Remarks: N/A	
Change Declaration: This change does not affect the electrical nor mechanical performance of this product.		
Issued Date: 04/25/2022	Issued By: <i>Brooke Cushman</i> Product Engineer	Issued Department: Engineering
Approval: <i>Thomas Culhane</i> Engineering Director	Approval: <i>Reuben Quintanilla</i> Quality Director	Approval: <i>Ying Huang</i> Purchasing Director
For Abracon EOL only		
Last Time Buy (if applicable): N/A	Alternate Part Number / Part Series: N/A	
Additional Approval: N/A	Additional Approval: N/A	Additional Approval: N/A
Customer Approval (If Applicable)		
Qualification Status: <div style="text-align: center;"><input type="checkbox"/> Approved <input type="checkbox"/> Not accepted</div> <i>Note: It is considered approved if there is no feedback from the customer 1 month after ECN/PCN is released.</i>		
Customer Part Number:	Customer Project:	
Company Name:	Company Representative:	Representative Signature:
Customer Remarks:		

brand	affected part numbers	series	eco#	datasheet link	ecn notification link
abracon	AOCJY-10.000MHZ	AOCJY	4099	https://abracon.com/Precisiontiming/AOCJY.pdf	???
abracon	AOCJY-10.000MHZ-E	AOCJY	4099	https://abracon.com/Precisiontiming/AOCJY.pdf	???
abracon	AOCJY-10.000MHZ-E-SW	AOCJY	4099	https://abracon.com/Precisiontiming/AOCJY.pdf	???
abracon	AOCJY-10.000MHZ-F	AOCJY	4099	https://abracon.com/Precisiontiming/AOCJY.pdf	???
abracon	AOCJY-10.000MHZ-F-SW	AOCJY	4099	https://abracon.com/Precisiontiming/AOCJY.pdf	???
abracon	AOCJY-100.000MHZ	AOCJY	4099	https://abracon.com/Precisiontiming/AOCJY.pdf	???
abracon	AOCJY-100.000MHZ-E	AOCJY	4099	https://abracon.com/Precisiontiming/AOCJY.pdf	???
abracon	AOCJY-100.000MHZ-E-SW	AOCJY	4099	https://abracon.com/Precisiontiming/AOCJY.pdf	???
abracon	AOCJY-100.000MHZ-F	AOCJY	4099	https://abracon.com/Precisiontiming/AOCJY.pdf	???
abracon	AOCJY-100.000MHZ-F-SW	AOCJY	4099	https://abracon.com/Precisiontiming/AOCJY.pdf	???
abracon	AOCJY-100.000MHZ-SW	AOCJY	4099	https://abracon.com/Precisiontiming/AOCJY.pdf	???
abracon	AOCJY-107-40.000MHZ-T	AOCJY	4099	https://abracon.com/Precisiontiming/AOCJY.pdf	???
abracon	AOCJY-12.800MHZ	AOCJY	4099	https://abracon.com/Precisiontiming/AOCJY.pdf	???
abracon	AOCJY-12.800MHZ-E	AOCJY	4099	https://abracon.com/Precisiontiming/AOCJY.pdf	???
abracon	AOCJY-12.800MHZ-F	AOCJY	4099	https://abracon.com/Precisiontiming/AOCJY.pdf	???
abracon	AOCJY-16.368MHZ-F-SW	AOCJY	4099	https://abracon.com/Precisiontiming/AOCJY.pdf	???
abracon	AOCJY-16.384MHZ	AOCJY	4099	https://abracon.com/Precisiontiming/AOCJY.pdf	???
abracon	AOCJY-16.384MHZ-E	AOCJY	4099	https://abracon.com/Precisiontiming/AOCJY.pdf	???
abracon	AOCJY-16.384MHZ-F-SW	AOCJY	4099	https://abracon.com/Precisiontiming/AOCJY.pdf	???
abracon	AOCJY-19.440MHZ-E	AOCJY	4099	https://abracon.com/Precisiontiming/AOCJY.pdf	???
abracon	AOCJY-20.000MHZ	AOCJY	4099	https://abracon.com/Precisiontiming/AOCJY.pdf	???
abracon	AOCJY-20.000MHZ-E	AOCJY	4099	https://abracon.com/Precisiontiming/AOCJY.pdf	???
abracon	AOCJY-20.000MHZ-F	AOCJY	4099	https://abracon.com/Precisiontiming/AOCJY.pdf	???
abracon	AOCJY-20.000MHZ-SW	AOCJY	4099	https://abracon.com/Precisiontiming/AOCJY.pdf	???
abracon	AOCJY-26.000MHZ-E-SW	AOCJY	4099	https://abracon.com/Precisiontiming/AOCJY.pdf	???
abracon	AOCJY-26.000MHZ-F	AOCJY	4099	https://abracon.com/Precisiontiming/AOCJY.pdf	???
abracon	AOCJY-26.000MHZ-SW	AOCJY	4099	https://abracon.com/Precisiontiming/AOCJY.pdf	???
abracon	AOCJY-38.400MHZ-E	AOCJY	4099	https://abracon.com/Precisiontiming/AOCJY.pdf	???
abracon	AOCJY-38.880MHZ	AOCJY	4099	https://abracon.com/Precisiontiming/AOCJY.pdf	???
abracon	AOCJY-38.880MHZ-E	AOCJY	4099	https://abracon.com/Precisiontiming/AOCJY.pdf	???
abracon	AOCJY-38.880MHZ-F	AOCJY	4099	https://abracon.com/Precisiontiming/AOCJY.pdf	???
abracon	AOCJY-40.000MHZ-E	AOCJY	4099	https://abracon.com/Precisiontiming/AOCJY.pdf	???
abracon	AOCJY-40.000MHZ-E-SW	AOCJY	4099	https://abracon.com/Precisiontiming/AOCJY.pdf	???
abracon	AOCJY-96.000MHZ	AOCJY	4099	https://abracon.com/Precisiontiming/AOCJY.pdf	???
abracon	AOCJY-96.000MHZ-E	AOCJY	4099	https://abracon.com/Precisiontiming/AOCJY.pdf	???