

**ABRACON, LLC
ENGINEERING/PROCESS CHANGE NOTIFICATION FORM**

ABRACON ENGINEERING ORIGINATOR:

Associate Engineer

NOTIFICATION DATE:

07/11/2018

IMPLEMENTATION DATE: 07/11/2018

SCD/DRAWING AFFECTED:

ABM3 Series
Ceramic SMD Crystal

REV: P

NEW REV: Q

EFFECTIVITY DATE: 07/11/2018

ECO# 3285

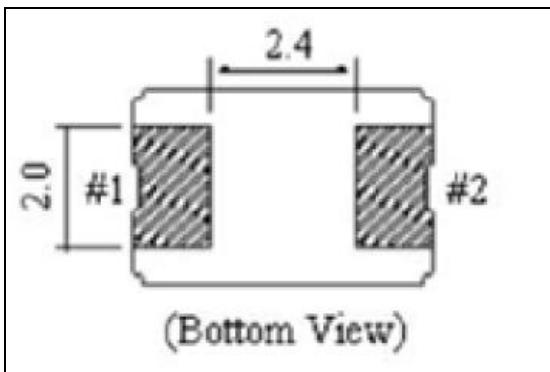
REASON FOR CHANGE:

Alternative packaging method added.

DETAILS OF SPECIFICATION CHANGE:

Previous (Rev. P)

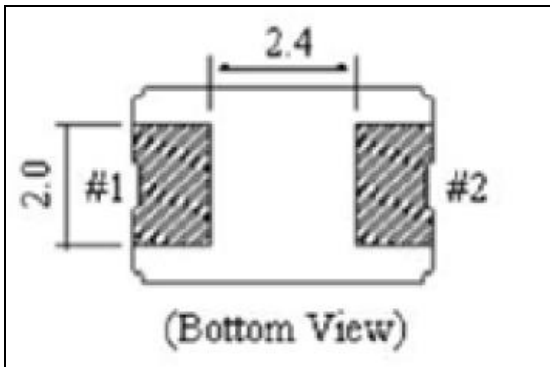
Mechanical Dimensions/Packaging (Bottom View):



Revised (Rev. Q)

Mechanical Dimensions/Packaging (Bottom View):

Option 1 (same as above):



APPLICATION INFORMATION

Safety

Non Safety

Application:

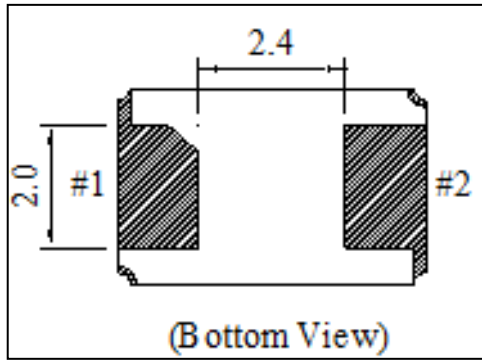
(Check one)

○

DISPOSITION OF CURRENT STOCK

- Scrap
- Transfer to: _____
- Use as is
- Return to vendor

Option 2 (Alternative Bottom Packaging #1):



ABRACON INTERNAL APPROVAL:

APPROVAL (PRES) _____ DATE **07/11/2018** _____

GLOBAL QUOTING/PRICING MGR _____ DATE **07/11/2018** _____

ENGINEERING VP _____ DATE **07/11/2018** _____

PURCHASING MGR _____ DATE **07/11/2018** _____

SALES VP _____ DATE **07/11/2018** _____

QUALITY & PROCEESS IMPROVEMENT MGR: _____ DATE **07/11/2018** _____

CUSTOMER APPROVAL (If Applicable)

ENGINEERING: NAME: _____ TITLE: _____ DATE: _____

BUYER/PURCHASING: NAME: _____ TITLE: _____ DATE: _____