



The worldwide leader in thermal management solutions.

News About Us Contact Us Global Manufacturing Shop Aavid

Products

Solutions

Industries

Search Aavid

Register or Sign Into Your Account

Cart

Knowledge Center

Design Help

6399B-P2G

TO-220, TO-220-single gauge (0.020")



High power extruded Heatsink with large radial fins and solderable shoulder pins

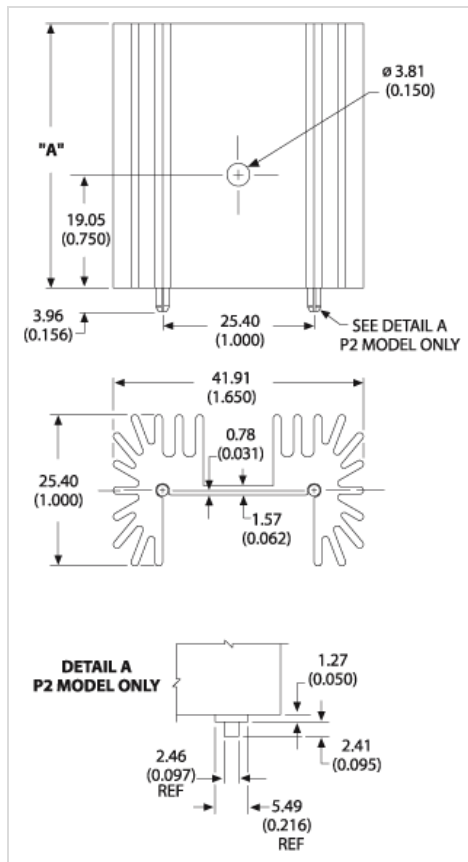
This non-electronic component is functionally unaffected by the normal soldering or reflow processes used for semiconductor circuits. The heat resistance time or heat resistance temperature is not applicable for the component.

- Height:** 50.80
- Mount Orientation:** Vertical
- Finish:** Black Anodize
- RoHS:** compliant
- [Download PCN](#)

Thermal Resistance: 3.30

Additional Drawing Dimensions:

A Dim: 5.8



Need assistance?

Call us: 1-855-32-AAVID
Email: estore@aavid.com

[» Help Page](#)

Check Distributor Stock

Enter a part number for pricing and availability.

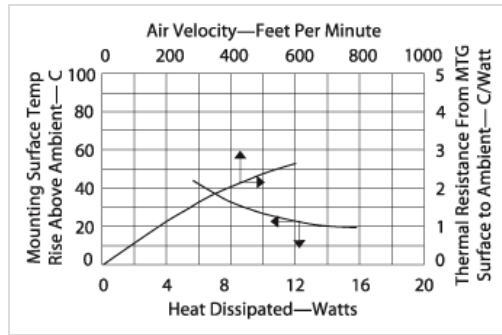
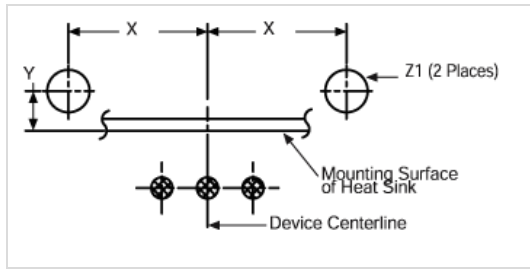
go!

- [>Request a Sample](#)
- [>Request a Quote](#)
- [>Ask an Engineer](#)

The Fine Print

- [Product Return Policy](#)
- [Terms & Conditions](#)
- [Privacy Policy](#)

X Dim: 12.70 (0.500) | Y Dim: 0.79 (0.031) | Z Dim: 2.67 (0.105)



Pins

Customer Assistance

- Contact Us
- Get Design Assistance
- Find a Distributor
- Find a Sales Rep
- Request a Quote
- Placing an Order
- Terms and Conditions
- Returns

Popular Products

- Fans
- Extrusions
- Board Level
- Liquid Cooling
- Heat Pipe Technology
- Heat Sink Accessories
- Interface Materials

Our Company

- News and Events
- Management Team
- Worldwide Locations
- Directions to Headquarters
- Disclaimer
- Customer Survey
- Privacy Policy

Connect with Aavid

Sign up for Aavid News & Alerts

Like / Follow / Connect



© Copyright 2013 Aavid Thermalloy, LLC.

USA: 1.855.32.AAVID Europe: 39.051.764002 Asia: 86.21.6115.2000 x 8122