



Tel (toll-free): +1-855-32-AAVID

[Register](#) [Log in](#)

- [Home](#)
- [Products](#)
- [Solutions](#)
- [Aavid Design](#)
- [Tools & Docs](#)
- [Contact](#)
- [Company](#)
- [Online Store](#)

» [Board Level Products](#)

### 320105B00000G

TO-5



Qty in stock: 735

Enter QTY:

Extruded collar style heat sink with swept back fins

**Height:** 6.35

**Mount Orientation:** Vertical

**Finish:** Black Anodize

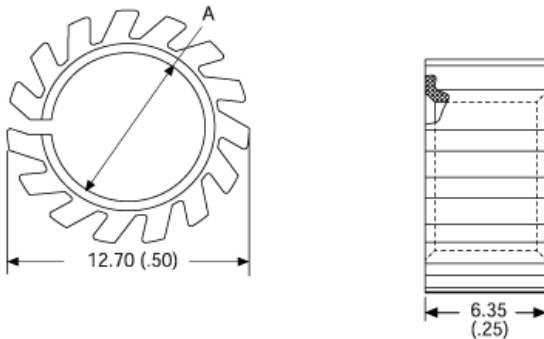
**RoHS:** compliant

[Download PCN](#)

**Thermal Resistance:** 63.00

**Additional Drawing Dimensions:**

A Dim: 8.7



**Need assistance?**

Call us: 1-855-32-AAVID

Email: [estore@aavid.com](mailto:estore@aavid.com)

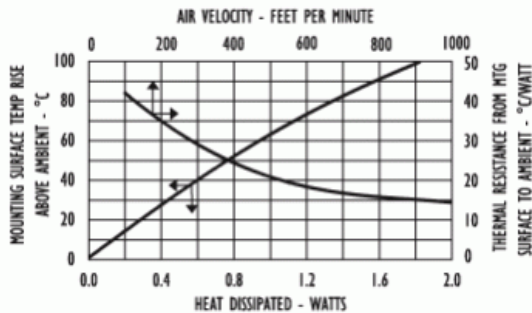
» [Help Page](#)

**Check Stock**

Enter a part number for pricing and availability.

- » [Product Return Policy](#)
- » [Terms & Conditions](#)
- » [Privacy Policy](#)



**Customer Assistance**

- [Contact Us](#)
- [Get Design assistance](#)
- [Find a Distributor](#)
- [Find a Sales Rep](#)
- [Request a Quote](#)
- [Placing an Order](#)
- [Terms and Conditions](#)
- [Returns](#)

**Popular Products**

- [Extrusions](#)
- [Board Level](#)
- [Liquid Cooling](#)
- [Heat Pipe Technology](#)
- [Heat Sink Accessories](#)
- [Interface Materials](#)

**Our Company**

- [About Aavid](#)
- [News and Events](#)
- [Management Team](#)
- [Worldwide Locations](#)
- [Directions to Headquarters](#)
- [Disclaimer](#)
- [Customer Survey](#)
- [Privacy Policy](#)

Sign up to receive Aavid news & alerts

Aavid will lead the electronics thermal management industry worldwide. We will be the first company customers call to enable their thermal designs anywhere in the world. We will respond with extraordinary speed and will provide them with timely and cost-effective solutions because we understand their needs, their industry, and their culture. 2012 Aavid Thermalloy, LLC