



Tel (toll-free): +1-855-32-AAVID

[Register](#) [Log in](#)

Home	Products	Solutions	Aavid Design	Tools & Docs	Contact	Company	Online Store
----------------------	--------------------------	---------------------------	------------------------------	----------------------------------	-------------------------	-------------------------	------------------------------

» [Board Level Products](#)

581002B02500G

TO-220, TO-220-single gauge (0.020")



Qty in stock: 1,944

Enter QTY:

Flat back extruded heat sink featuring solderable pins

This non-electronic component is functionally unaffected by the normal soldering or reflow processes used for semiconductor circuits. The heat resistance time or heat resistance temperature is not applicable for the component.

Cross Reference: 6390B

Height: 25.40

Mount Orientation: Vertical

Finish: Black Anodize

RoHS: compliant

[Download PCN](#)

Thermal Resistance: 17.40

Additional Drawing Dimensions:

A Dim: 25.4 | L Dim: 18.29

Need assistance?

Call us: 1-855-32-AAVID

Email: estore@aavid.com

» [Help Page](#)

Check Stock

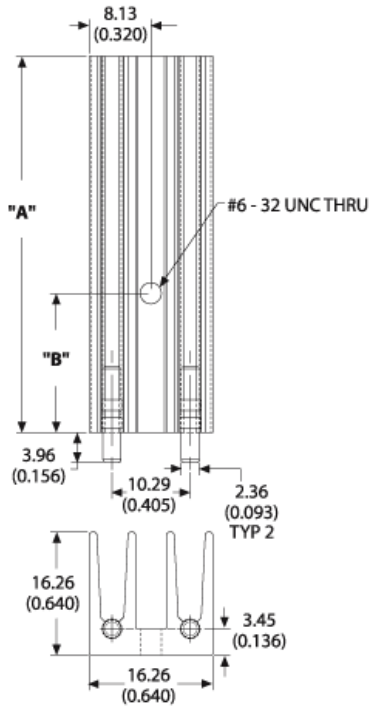
Enter a part number for pricing and availability.

[Request a Sample](#) ▶

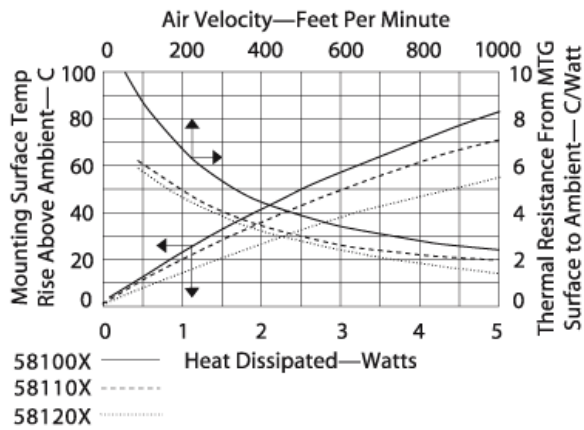
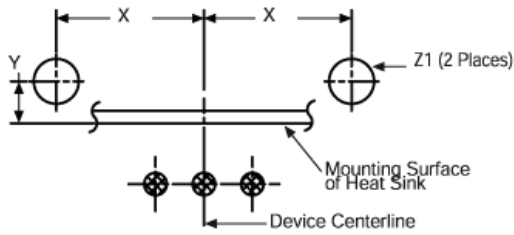
[Request a Quote](#) ▶

[Ask an Engineer](#) ▶

- » [Product Return Policy](#)
- » [Terms & Conditions](#)
- » [Privacy Policy](#)



X Dim: 5.16 (0.203) | Y Dim: 3.45 (0.136) | Z Dim: 2.67 (0.105)



Pins

Customer Assistance

- [Contact Us](#)
- [Get Design assistance](#)
- [Find a Distributor](#)
- [Find a Sales Rep](#)
- [Request a Quote](#)

Popular Products

- [Extrusions](#)
- [Board Level](#)
- [Liquid Cooling](#)
- [Heat Pipe Technology](#)
- [Heat Sink Accessories](#)

Our Company

- [About Aavid](#)
- [News and Events](#)
- [Management Team](#)
- [Worldwide Locations](#)
- [Directions to Headquarters](#)

Sign up to receive Aavid news & alerts

email address



[Placing an Order](#)
[Terms and Conditions](#)
[Returns](#)

[Interface Materials](#)

[Disclaimer](#)
[Customer Survey](#)
[Privacy Policy](#)

Aavid will lead the electronics thermal management industry worldwide. We will be the first company customers call to enable their thermal designs anywhere in the world. We will respond with extraordinary speed and will provide them with timely and cost-effective solutions because we understand their needs, their industry, and their culture. 2012 Aavid Thermalloy, LLC