



Tel (toll-free): +1-855-32-AAVID

[Register](#) [Log in](#)

Home	Products	Solutions	Aavid Design	Tools & Docs	Contact	Company	Online Store
----------------------	--------------------------	---------------------------	------------------------------	----------------------------------	-------------------------	-------------------------	------------------------------

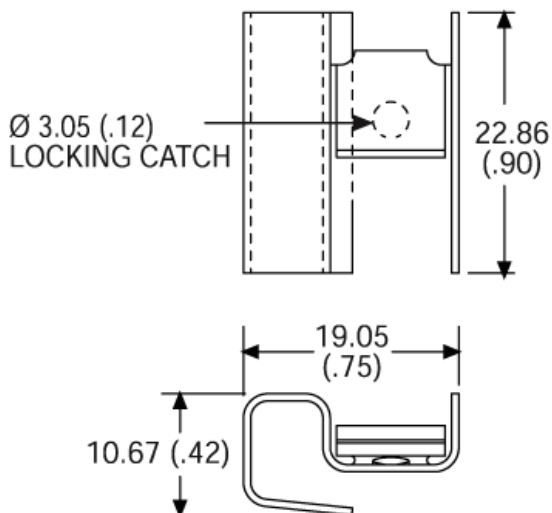
[» Board Level Products](#)

579802B00000G

TO-220, TO-220-single gauge (0.020")



Clip on style heat sink featuring an integrated clip with left side fin only

Height: 22.86**Mount Orientation:** Vertical**Finish:** Black Anodize**RoHS:** compliant[Download PCN](#)**Thermal Resistance:** 26.40**Need assistance?**

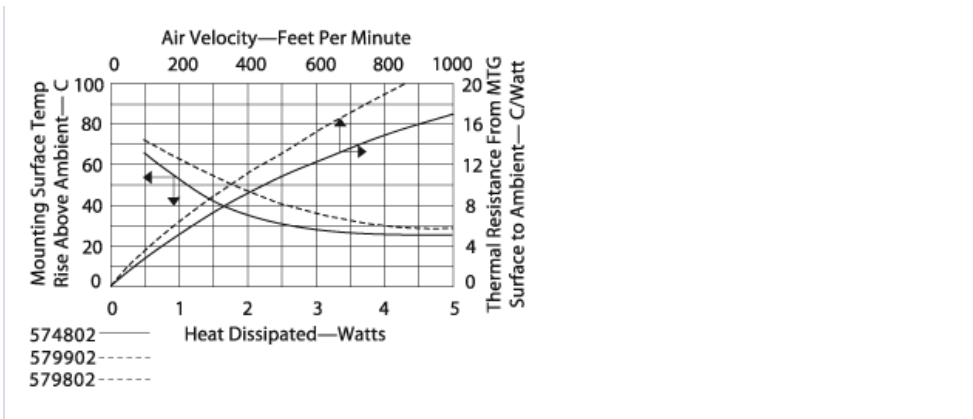
Call us: 1-855-32-AAVID

Email: estore@aavid.com
[» Help Page](#)
Check Stock

Enter a part number for pricing and availability.

[Request a Sample ▶](#)
[Request a Quote ▶](#)
[Ask an Engineer ▶](#)

- [» Product Return Policy](#)
- [» Terms & Conditions](#)
- [» Privacy Policy](#)



Customer Assistance

- [Contact Us](#)
- [Get Design assistance](#)
- [Find a Distributor](#)
- [Find a Sales Rep](#)
- [Request a Quote](#)
- [Placing an Order](#)
- [Terms and Conditions](#)
- [Returns](#)

Popular Products

- [Extrusions](#)
- [Board Level](#)
- [Liquid Cooling](#)
- [Heat Pipe Technology](#)
- [Heat Sink Accessories](#)
- [Interface Materials](#)

Our Company

- [About Aavid](#)
- [News and Events](#)
- [Management Team](#)
- [Worldwide Locations](#)
- [Directions to Headquarters](#)
- [Disclaimer](#)
- [Customer Survey](#)
- [Privacy Policy](#)

Sign up to receive Aavid news & alerts



Aavid will lead the electronics thermal management industry worldwide. We will be the first company customers call to enable their thermal designs anywhere in the world. We will respond with extraordinary speed and will provide them with timely and cost-effective solutions because we understand their needs, their industry, and their culture. 2012 Aavid Thermalloy, LLC