

<a href="#">Home</a>	<a href="#">Products</a>	<a href="#">Solutions</a>	<a href="#">Aavid Design</a>	<a href="#">Tools &amp; Docs</a>	<a href="#">Contact</a>	<a href="#">Company</a>	<a href="#">Online Store</a>
----------------------	--------------------------	---------------------------	------------------------------	----------------------------------	-------------------------	-------------------------	------------------------------

» [Board Level Products](#)

## 533101B02551G

TO-218, TO-247



Qty in stock: 0

Enter QTY:

Email  
[estore@aavid.com](mailto:estore@aavid.com) for  
 availability

Extruded heat sink with radial fins and solderable pins and device clip

This non-electronic component is functionally unaffected by the normal soldering or reflow processes used for semiconductor circuits. The heat resistance time or heat resistance temperature is not applicable for the component.

**Height:** 38.10

**Mount Orientation:** Vertical

**Finish:** Black Anodize

**RoHS:** compliant

[Download PCN](#)

**Thermal Resistance:** 11.00

**Additional Drawing Dimensions:**

A Dim: 38.1 | B Dim: 21.59 | C Dim: 17.2

**Need assistance?**

Call us: 1-855-32-AAVID

Email: [estore@aavid.com](mailto:estore@aavid.com)

» [Help Page](#)

**Check Stock**

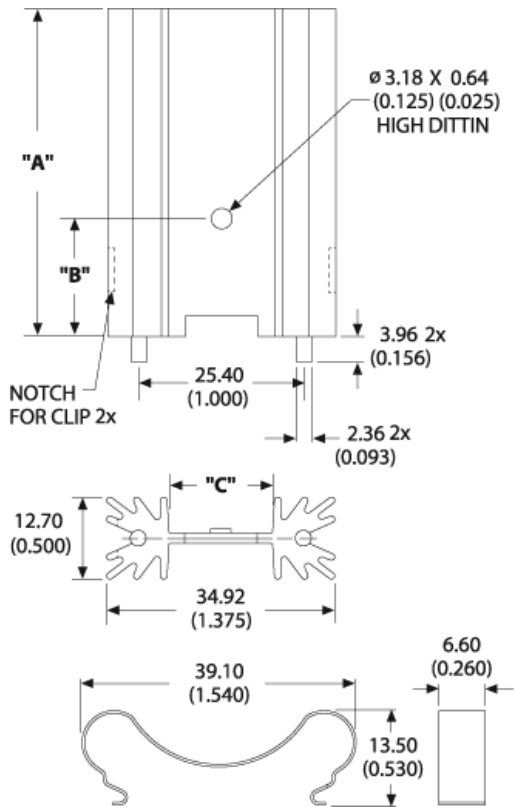
Enter a part number for pricing and availability.

[Request a Sample](#) ▶

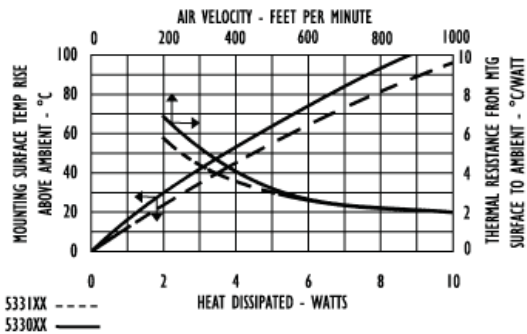
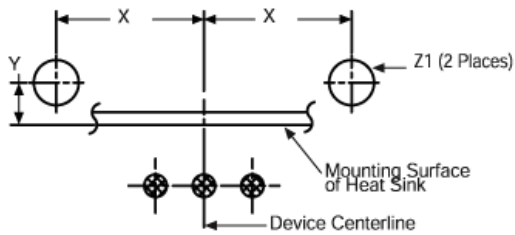
[Request a Quote](#) ▶

[Ask an Engineer](#) ▶

- » [Product Return Policy](#)
- » [Terms & Conditions](#)
- » [Privacy Policy](#)



X Dim: 12.70 (0.500) | Y Dim: 0.79 (0.031) | Z Dim: 2.67 (0.105)



Pins

Customer Assistance  
[Contact Us](#)  
[Get Design assistance](#)

Popular Products  
[Extrusions](#)  
[Board Level](#)

Our Company  
[About Aavid](#)  
[News and Events](#)

Sign up to receive Aavid news & alerts

email address



[Find a Distributor](#)  
[Find a Sales Rep](#)  
[Request a Quote](#)  
[Placing an Order](#)  
[Terms and Conditions](#)  
[Returns](#)

[Liquid Cooling](#)  
[Heat Pipe Technology](#)  
[Heat Sink Accessories](#)  
[Interface Materials](#)

[Management Team](#)  
[Worldwide Locations](#)  
[Directions to Headquarters](#)  
[Disclaimer](#)  
[Customer Survey](#)  
[Privacy Policy](#)



Aavid will lead the electronics thermal management industry worldwide. We will be the first company customers call to enable their thermal designs anywhere in the world. We will respond with extraordinary speed and will provide them with timely and cost-effective solutions because we understand their needs, their industry, and their culture. 2012 Aavid Thermalloy, LLC