

Home	Products	Solutions	Aavid Design	Tools & Docs	Contact	Company	Online Store
----------------------	--------------------------	---------------------------	------------------------------	----------------------------------	-------------------------	-------------------------	------------------------------

[» Board Level Products](#)

6399B-P2G

TO-220, TO-220-single gauge (0.020")



High power extruded Heatsink with large radial fins and solderable shoulder pins

This non-electronic component is functionally unaffected by the normal soldering or reflow processes used for semiconductor circuits. The heat resistance time or heat resistance temperature is not applicable for the component.

Height: 50.80

Mount Orientation: Vertical

Finish: Black Anodize

RoHS: compliant

[Download PCN](#)

Thermal Resistance: 3.30

Additional Drawing Dimensions:

A Dim: 5.8

Need assistance?

Call us: 1-855-32-AAVID

Email: estore@aavid.com

[» Help Page](#)

Check Stock

Enter a part number for pricing and availability.

[Request a Sample ▶](#)

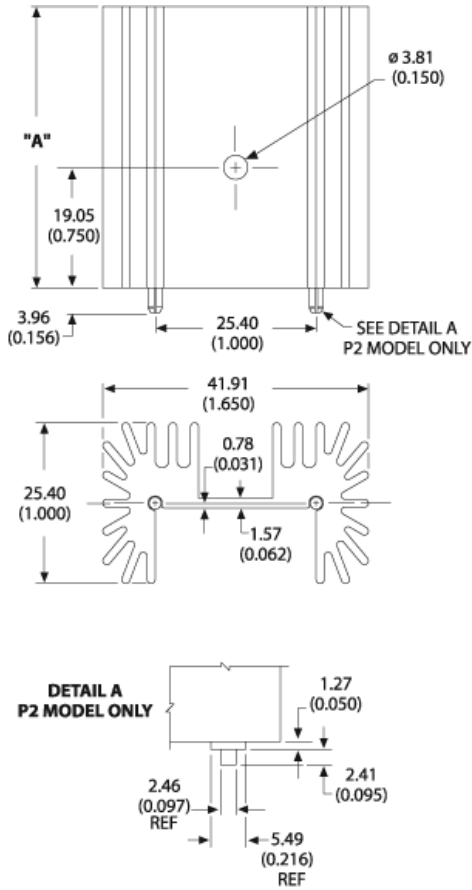
[Request a Quote ▶](#)

[Ask an Engineer ▶](#)

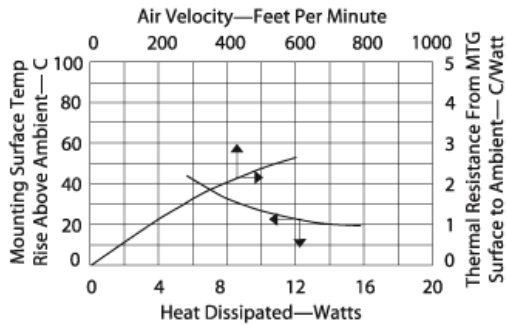
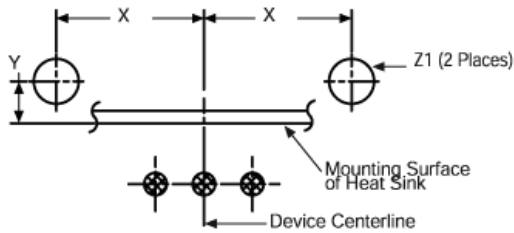
[» Product Return Policy](#)

[» Terms & Conditions](#)

[» Privacy Policy](#)



X Dim: 12.70 (0.500) | Y Dim: 0.79 (0.031) | Z Dim: 2.67 (0.105)



Pins

- [Get Design assistance](#)
- [Find a Distributor](#)
- [Find a Sales Rep](#)
- [Request a Quote](#)
- [Placing an Order](#)
- [Terms and Conditions](#)
- [Returns](#)

- [Board Level](#)
- [Liquid Cooling](#)
- [Heat Pipe Technology](#)
- [Heat Sink Accessories](#)
- [Interface Materials](#)

- [News and Events](#)
- [Management Team](#)
- [Worldwide Locations](#)
- [Directions to Headquarters](#)
- [Disclaimer](#)
- [Customer Survey](#)
- [Privacy Policy](#)

email address



Aavid will lead the electronics thermal management industry worldwide. We will be the first company customers call to enable their thermal designs anywhere in the world. We will respond with extraordinary speed and will provide them with timely and cost-effective solutions because we understand their needs, their industry, and their culture. 2012 Aavid Thermalloy, LLC