



Aavid - The worldwide leader in thermal management solutions

Products

Shop Aavid

Industries

Knowledge Center

Design Help

[»Back to Board Level Products](#)

7020B-TC12-MTG

TO-220, TO-220-single gauge (0.020")



ENTER QTY:

VIEW PRICE

Need assistance?

Call us: 1-855-32-AAVID
Email: estore@aavid.com

[» Help Page](#)

Check Distributor Stock

Enter a part number for pricing and availability.

 go!

- > [Request a Sample](#)
- > [Request a Quote](#)
- > [Ask an Engineer](#)

The Fine Print

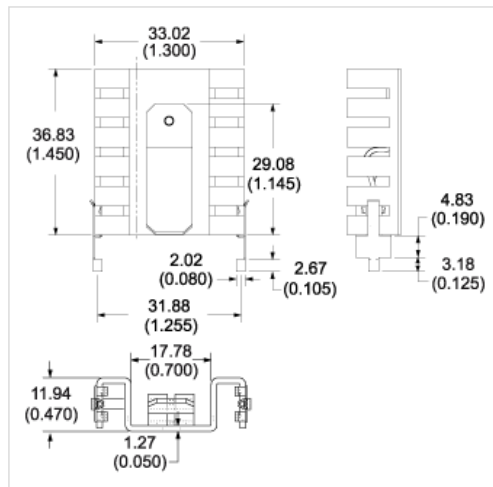
- [Product Return Policy](#)
- [Terms & Conditions](#)
- [Privacy Policy](#)

Narrow channel heat sink with folded back fins with clip and mounting tabs

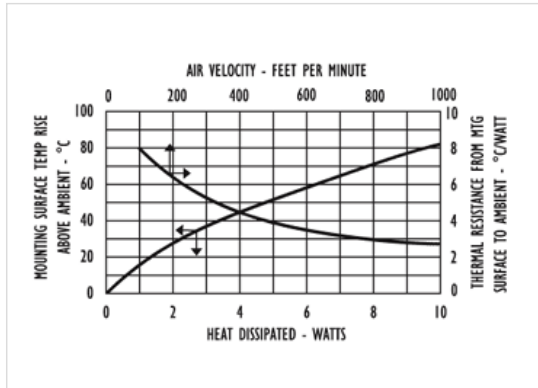
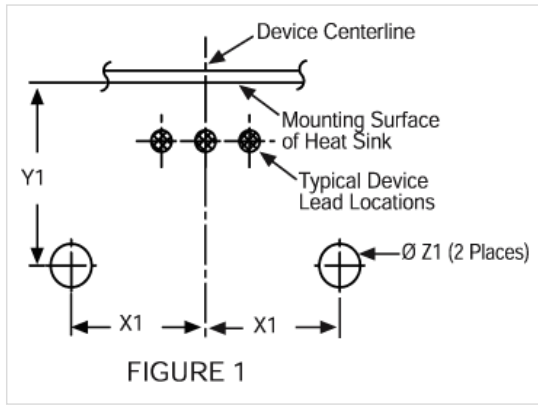
This non-electronic component is functionally unaffected by the normal soldering or reflow processes used for semiconductor circuits. The heat resistance time or heat resistance temperature is not applicable for the component.

- Height:** 42.16
- Mount Orientation:** Vertical
- Finish:** Black Anodize
- RoHS:** compliant
- [Download PCN](#)

Thermal Resistance: 8.70



X Dim: 15.87 (0.625) | Y Dim: 4.83 (0.190) | Z Dim: 3.10 (0.122)



Solderable Mounting Tabs

Customer Assistance

- Contact Us
- Get Design Assistance
- Find a Distributor
- Find a Sales Rep
- Request a Quote
- Placing an Order
- Terms and Conditions
- Returns

Popular Products

- Fans
- Extrusions
- Board Level
- Liquid Cooling
- Heat Pipe Technology
- Heat Sink Accessories
- Interface Materials

Our Company

- News and Events
- Management Team
- Worldwide Locations
- Disclaimer
- Customer Survey
- Privacy Policy
- Careers

Connect with Aavid

- Like / Follow / Connect
- -
 -
 -

© Copyright 2016 Aavid Thermalloy, LLC.

USA: 1.855.32.AAVID Europe: 39.051.764002 Asia: 86.21.6115.2000 x 8122