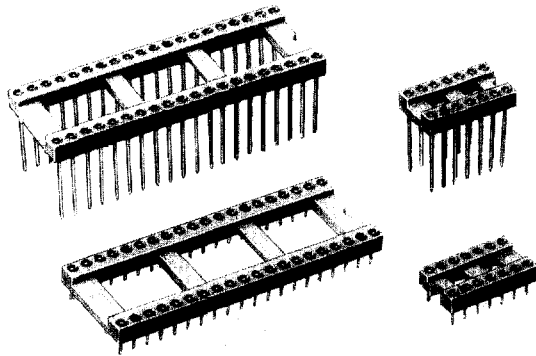


IC 26 SERIES DIP(2.54mm pitch)



FEATURES

- Round pin contacts with four leaf springs.
- Screw machined sleeves prevent solder or flux penetration.
- Standoffs prevent blow holes.

SPECIFICATIONS

PERFORMANCE

Insulation Resistance	1,000M Ω min. at 500VDC
Dielectric Withstanding Voltage	700VAC rms for 1 minute
Contact Resistance	20m Ω max. at 10mA
Current Rating	1A
Operating Temperature Range	-30 $^{\circ}$ C to +125 $^{\circ}$ C

MATERIAL AND FINISH

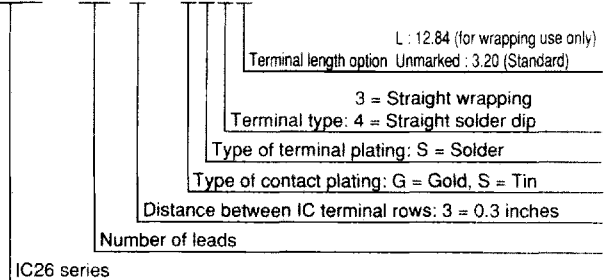
Housing	PET (glass-filled), UL94V-0 rated
Contacts	Inner Contacts: Copper alloy, gold or tin plating over nickel Outer Sleeve: Copper alloy, solder plating over nickel

APPLICABLE LEAD DIMENSIONS:

Rectangular Leads	$0.5^{+0.1}_{-0.12}$ W \times $0.25^{+0.15}_{-0.05}$ t; diagonal distance of lead cross section 0.63 max.
Circular Leads	$\phi 0.5^{+0.13}_{-0.1}$

ORDERING CODE

IC26—2003—GS3L



Part No.	No. of Leads	A	B	C	D	E	F
IC26—0603—*S*(L)	6	7.60	2.54 \times 2 = 5.08	10.13	7.62	4.5	7.62
IC26—0803—*S*(L)	8	10.13	2.54 \times 3 = 7.62	10.13	7.62	4.5	7.62
IC26—1003—*S*(L)	10	12.67	2.54 \times 4 = 10.16	10.13	7.62	4.5	7.62
IC26—1403—*S*(L)	14	17.75	2.54 \times 6 = 15.24	10.13	7.62	4.5	7.62
IC26—1603—*S*(L)	16	20.29	2.54 \times 7 = 17.78	10.13	7.62	4.5	7.62
IC26—1803—*S*(L)	18	22.83	2.54 \times 8 = 20.32	10.13	7.62	4.5	7.62
IC26—2003—*S*(L)	20	25.37	2.54 \times 9 = 22.86	10.13	7.62	4.5	7.62
IC26—2004—*S*(L)	20	25.37	2.54 \times 9 = 22.86	12.67	10.16	6.5	10.16
IC26—2203—*S*(L)	22	27.91	2.54 \times 10 = 25.40	10.13	7.62	4.5	7.62
IC26—2204—*S*(L)	22	27.91	2.54 \times 10 = 25.40	12.67	10.16	6.5	10.16
IC26—2403—*S*(L)	24	30.45	2.54 \times 11 = 27.94	10.13	7.62	4.5	7.62
IC26—2406—*S*(L)	24	30.45	2.54 \times 11 = 27.94	17.75	15.24	11.0	15.24
IC26—2803—*S*(L)	28	35.53	2.54 \times 13 = 33.02	10.13	7.62	4.5	7.62
IC26—2804—*S*(L)	28	35.53	2.54 \times 13 = 33.02	12.67	10.16	6.5	10.16
IC26—2806—*S*(L)	28	35.53	2.54 \times 13 = 33.02	17.75	15.24	11.0	15.24
IC26—3206—*S*(L)	32	40.61	2.54 \times 15 = 38.10	17.75	15.24	11.0	15.24
IC26—3606—*S*(L)	36	45.69	2.54 \times 17 = 43.18	17.75	15.24	11.0	15.24
IC26—4006—*S*(L)	40	50.77	2.54 \times 19 = 48.26	17.75	15.24	11.0	15.24
IC26—4206—*S*(L)	42	53.31	2.54 \times 20 = 50.80	17.75	15.24	11.0	15.24
IC26—4806—*S*(L)	48	60.93	2.54 \times 23 = 58.42	17.75	15.24	11.0	15.24
IC26—6409—*S*(L)	64	81.25	2.54 \times 31 = 78.74	25.37	22.86	18.0	22.86

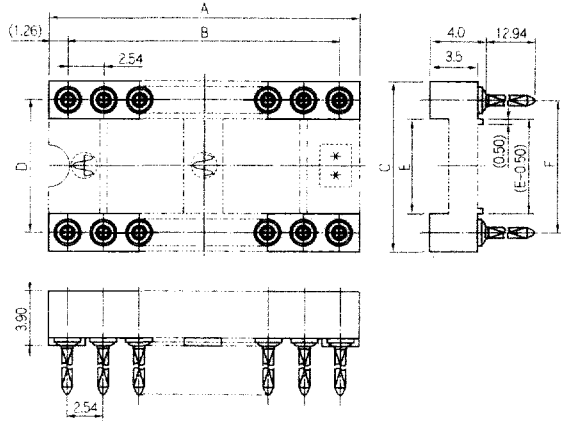
Unit = mm

IC 26 SERIES

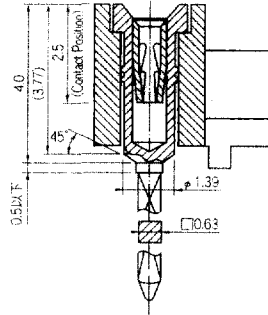
DIP(2.54mm pitch)

IC SOCKETS For Production Use

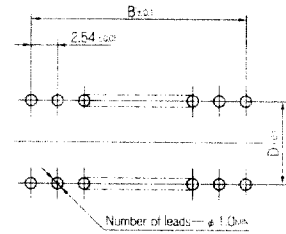
● IC 26 — * * 0 * — * S3L



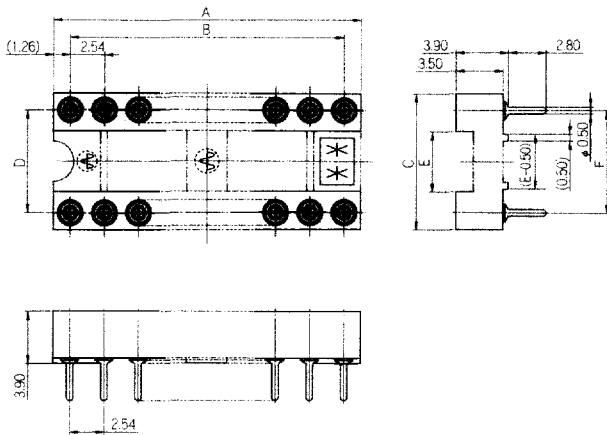
●Detail of Contact



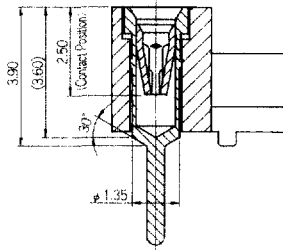
●Recommended PC Board Patterns (TOP VIEW)



● IC 26 — * * 0 * — * S4



●Detail of Contact



●Recommended PC Board Patterns (TOP VIEW)

