

RED INDICATES ORIGINAL

P2 CONN TYPE	FIG NO	P1 CONN TYPE																				
		BJ77					BJ77TL					BJ77FL					BJ377					
		E1	E2	E3	E4	E5	E1	E2	E3	E4	E5	E1	E2	E3	E4	E5	E1	E2	E3	E4	E5	
BJ26	1A	-1	-2	-3	-4	-5	-6	-7	-8	-9	-10	-11	-12	-13	-14	-15	-16	-17	-18	-19	-20	
UBJ26		-21	-22	-23	-24	-25	-26	-27	-28	-29	-30	-31	-32	-33	-34	-35	-36	-37	-38	-39	-40	
BJ29		SEE 22-01																				
UBJ29		SEE 22-01																				
BJ46	1B	-41	-42	-43	-44	-45	-46	-47	-48	-49	-50	-51	-52	-53	-54	-55	-56	-57	-58	-59	-60	
UBJ46		-61	-62	-63	-64	-65	-66	-67	-68	-69	-70	-71	-72	-73	-74	-75	-76	-77	-78	-79	-80	
BJ49		SEE 22-01																				
UBJ49		SEE 22-01																				
BJ95	2A	-81	-82	-83		-84	-85	-86		-87	-88	-89		-90	-91	-92						
UBJ95		-93	-94	-95		-96	-97	-98		-99	-100	-101		-102	-103	-104						
BJ96	2B	-105	-106	-107		-108	-109	-110		-111	-112	-113		-114	-115	-116						
UBJ96		-117	-118	-119		-120	-121	-122		-123	-124	-125		-126	-127	-128						

DATA CONTAINED IN THIS DOCUMENT IS PROPRIETARY TO TROMPETER ELECTRONICS INC. AND SHALL NOT BE DISCLOSED, COPIED OR USED FOR PROCUREMENT OR MANUFACTURE WITHOUT EXPRESS WRITTEN PERMISSION.

INCH	MM
.005	0.13
.020	0.51
.030	0.76
.143	3.63
.203	5.16
.281	7.14
.284	7.21
.562	14.27
.566	14.38
.630	16.00
.635	16.13
.750	19.05
1.845	46.86
2.305	58.55

REV		EO	DESCRIPTION	DWN	APPROVED	DATE
A	8028		ITEMS 11,12,13,14 P/N WERE 3-0001, 305-0508, 3-0094, 305-0013	FZ	BM; [Signature]	6-8-88
B	8137		ADDED NOTES Δ & Δ	DKC	AK; BM	7-11-88
C	8294		L/M, ADDED ITEMS 31 AND 32 FOR "E2 ONLY"	AAH	AK; BM; [Signature]	1-23-89

FIG 1A

-1 SHOWN

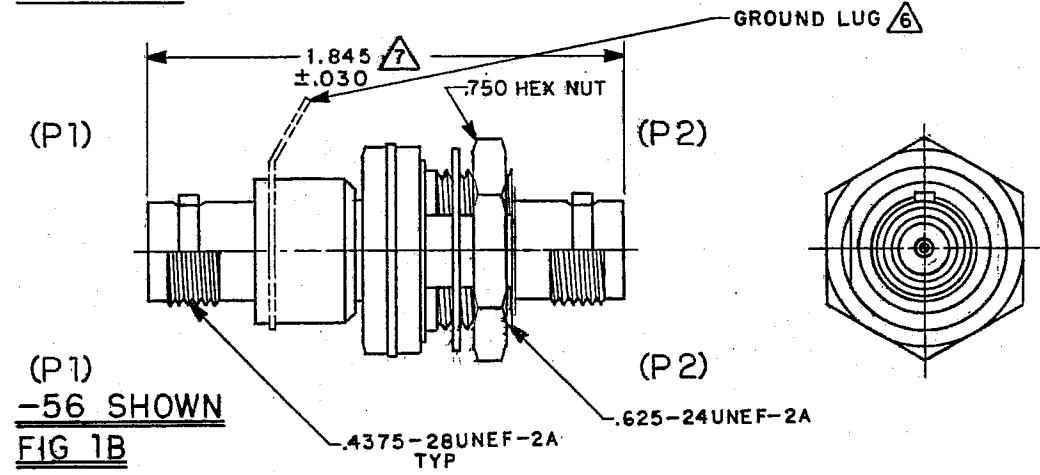


FIG 1B
-56 SHOWN

FIG 2A

-81 SHOWN

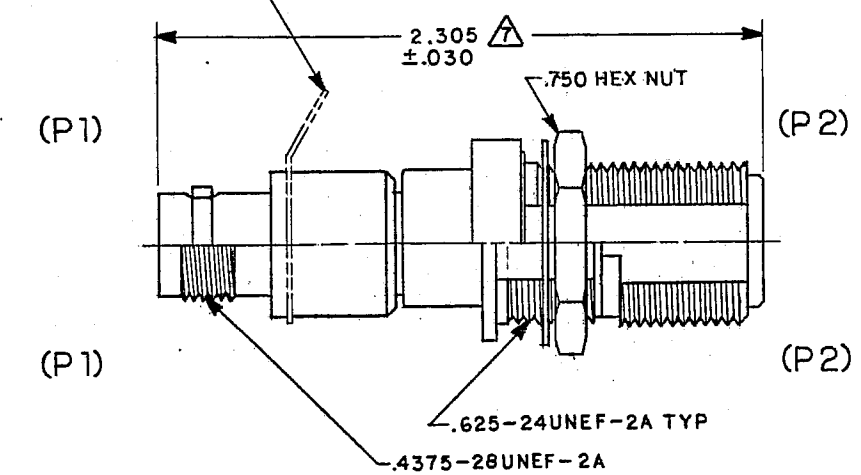
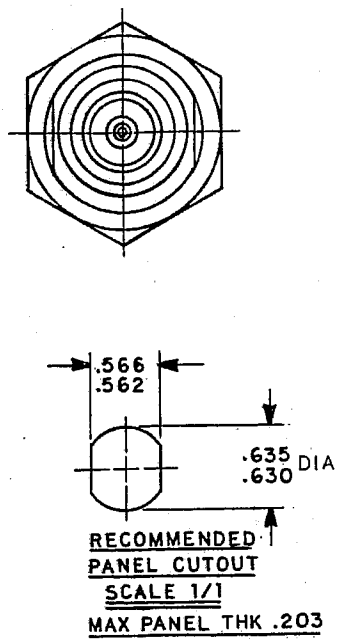
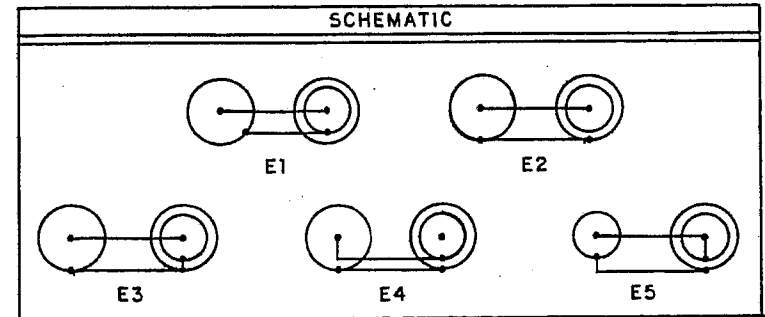
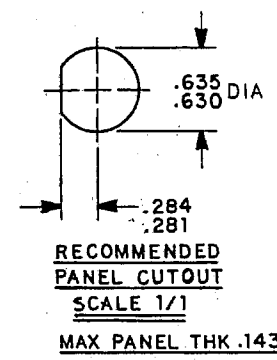


FIG 2B
-114 SHOWN



- Δ ADD .020 TO LENGTH DIM FOR ADAPTERS WITH "G" PREFIX
- Δ FOR OPTIONAL GROUND LUG ADD PREFIX "G" TO DASH NO
- 5. EXAMPLE OF COMPLETE MODEL NO:
AD-BJ77-E1-BJ26
ADAPTER (P1) CONN TYPE (P2) CONN TYPE SCHEMATIC
- 4. EXAMPLE OF COMPLETE PART NO:
22-09-1
PART NO Δ DASH NO
- 3. BETWEEN SERIES ADAPTER CONCENTRIC TWINAX/TRIAX RECEPTACLE TO 50 & 75 OHM BNC/TNC/N INSULATED & NONINSULATED BULKHEAD MOUNT RECEPTACLE
- 2. FINISH: TFS-1A (NICKEL)
- 1. ALL DIM ARE IN INCHES.



QTY	DESCRIPTION	PART NUMBER	ITEM
TOL UNLESS SPECIFIED .XX ± .XXX ±.005 .XXXX ± ANGLES ±	TROMPETER ELECTRONICS, INC.	ADAPTERS; BJ77/TL/FL /377 TO BULKHEAD MOUNT BNC/TNC/N SERIES	
DWN JJ B 9-20-85	MATERIAL	CODE IDENT 14949	DRAWING NO. 22-09
CHK [Signature] 7-8-86		DATE 7-17-86	REV C
ENGR	SCALE 2/1	SHEET 1 OF 2	
APPR [Signature] 7-15-86			