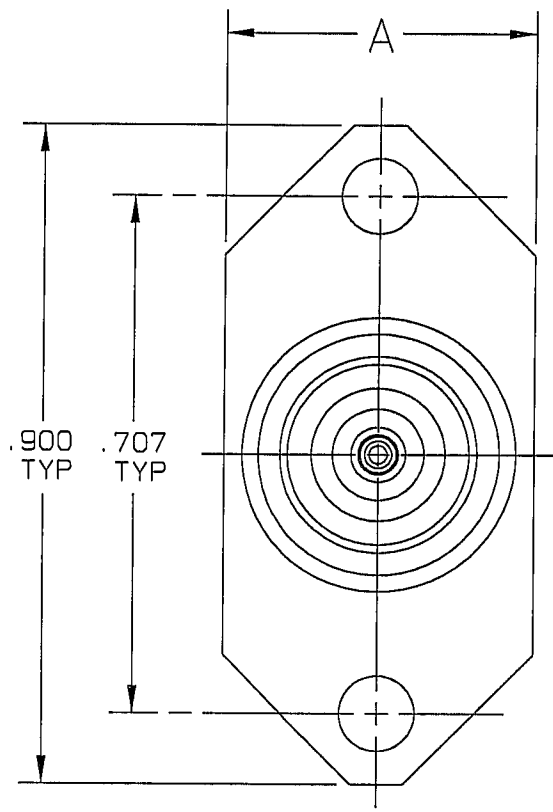


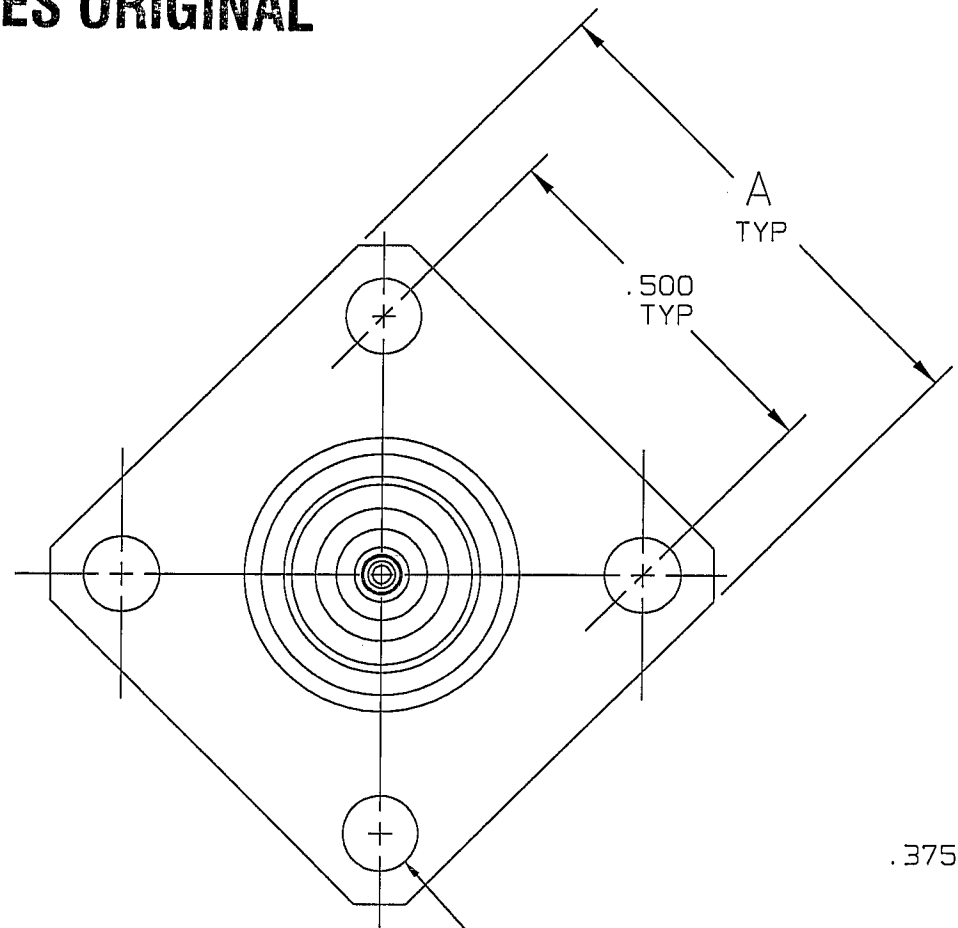
**RED INDICATES ORIGINAL**

DATA CONTAINED IN THIS DOCUMENT IS PROPRIETARY TO TROMPETER ELECTRONICS INC. AND SHALL NOT BE DISCLOSED, COPIED OR USED FOR PRODUCTION OR MANUFACTURE WITHOUT EXPRESS WRITTEN PERMISSION OF TROMPETER ELECTRONICS INC.

REVISIONS		5-0005	SH 1
REV	DESCRIPTION	DATE	APPROVED
C	REVISED PER ECO 15532	7/19/04	<i>WJ</i>

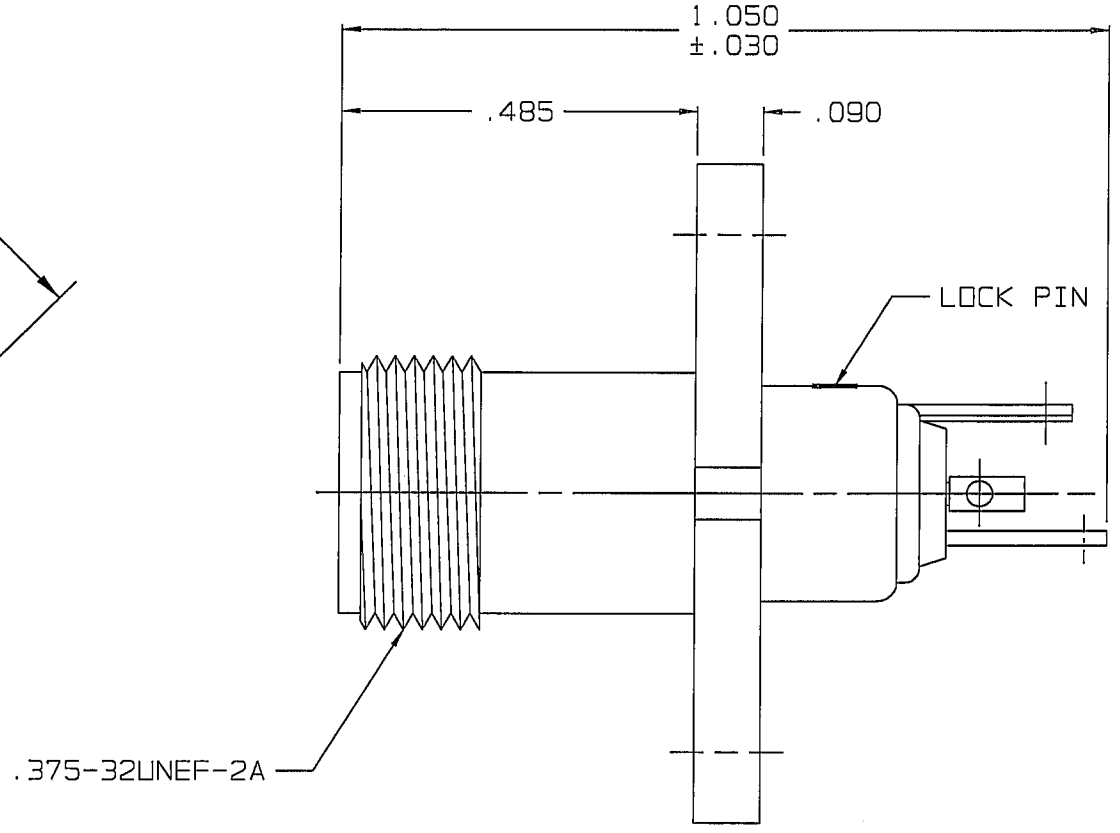


-2C SHOWN



-4C SHOWN

MTG HOLE  
(SEE TABLE)

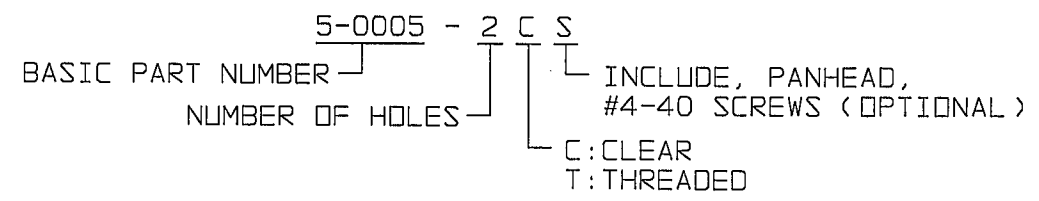


.375-32LINEF-2A

DASH NO	MODEL NO	MTG HOLE		A DIM
		TYPE	DESCRIPTION	
-2C	5-0005-2C	CL	.103 DIA	.425
-2T	5-0005-2T	THD	4-40UNC-2B	
-4C	5-0005-4C	CL	.103 DIA	.687
-4T	5-0005-4T	THD	4-40UNC-2B	
-2CS	5-0005-2CS	CL	.103 DIA	.425
-2TS	5-0005-2TS	THD	4-40-UNC-2B	
-4CS	5-0005-4CS	CL	.103 DIA	.687
-4TS	5-0005-4TS	THD	4-40UNC-2B	

6. ALL MATERIALS MEET THE OUTGASSING REQUIREMENTS OF NASA SPECIFICATION SP-R-0022A AND TROMPETER'S TT-09 SPECIFICATION

5. EXAMPLE OF COMPLETE MODEL NUMBER:



4. SPACE RATED FEMALE SUBMINIATURE CONCENTRIC TWINAX/TRIAX SOLDER POT 2 AND 4 HOLE FLANGE MOUNT BULKHEAD JACK (TTM STYLE)

3. SOLDER POT ACCEPTS .026 DIA CONDUCTOR

2. MAX PANEL THK .187

1. FINISH: GOLD

INTERPRET DRAWING PER MIL-STD-100 DIMENSIONS ARE IN INCHES AND INCLUDE FINISH THICKNESS UNLESS OTHERWISE SPECIFIED	TOL: UNLESS SPECIFIED .XX .XXX ± .005 .XXXX ANGLES		
DRAWN: AAH DATE: 7-2-04	MATERIAL:		
CHECKED: <i>WJ</i> DATE: 7/15/04	FINISH:	SIZE: <b>B</b> CAGE CODE: <b>14949</b> DRAWING NO.: 5-0005 REV. C	
QUALITY: <i>WJ</i> DATE: 7/19/04	APPROVED: <i>WJ</i> DATE: 7/19/04	SCALE: NONE DATE: 2/4/04 SHEET 1C	
MAKE: <i>WJ</i> DATE: 7/19/04	CAD FILE NO.: 5-0005C	DO NOT SCALE DWG	