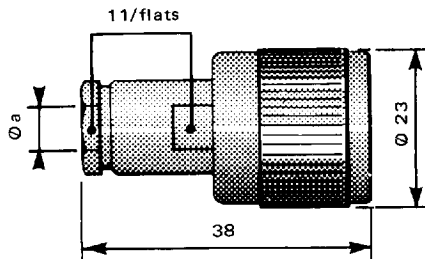
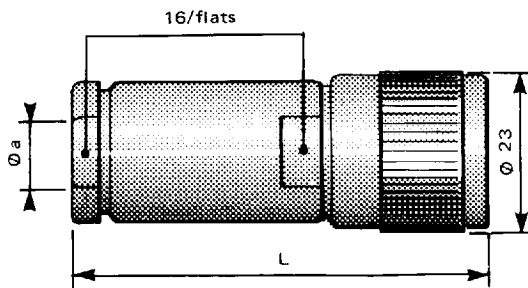


| CODE No. | UG.<br>REF. | T Y P E | CABLE<br>GROUP<br>$\Omega$ | ASSEMBLY<br>CODE | MAX. $\phi_a$ | WEIGHT (g) |
|----------|-------------|---------|----------------------------|------------------|---------------|------------|
|----------|-------------|---------|----------------------------|------------------|---------------|------------|

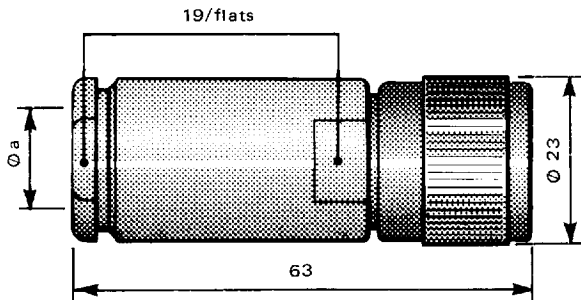
## STRAIGHT PLUGS



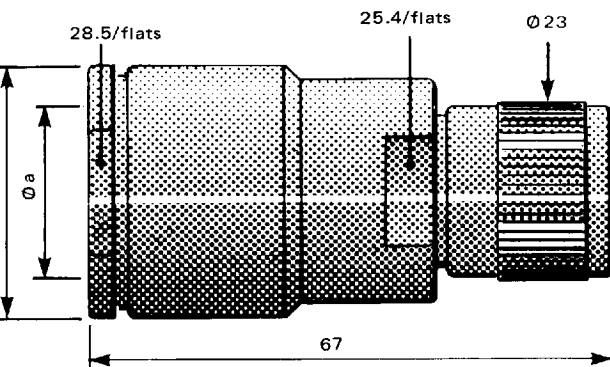
|               |  |  |                       |     |     |    |
|---------------|--|--|-----------------------|-----|-----|----|
| R 176 006     |  | Cable clamp -<br>shouldered centre<br>contact                      | 5/50 $\Omega$         | M01 | 5,6 | 48 |
| R 176 012     |  | Cable clamp -<br>shouldered centre<br>contact                      | 6/75 +<br>93 $\Omega$ | M01 | 6,5 | 47 |
| R 176 012 150 |  | Cable clamp -<br>shouldered centre<br>contact<br>Ceramic insulator | 6/75 +<br>93 $\Omega$ |     | 6,5 | 47 |



|           |          |   |                                  |     |      |    |
|-----------|----------|---|----------------------------------|-----|------|----|
| R 176 018 |          | Cable clamp -<br>shouldered centre<br>contact | 10/50 $\Omega$<br>11/50 $\Omega$ | M02 | 11,2 | 72 |
| L = 49    |          |   |                                  |     |      |    |
| R 176 019 | UG.59B/U | Cable clamp -<br>shouldered centre<br>contact | 10/50 $\Omega$<br>11/50 $\Omega$ | M03 | 11,2 | 83 |
| L = 56,5  |          |   |                                  |     |      |    |
| R 176 021 |          | Cable clamp -<br>shouldered centre<br>contact | 10/50 $\Omega$<br>11/50 $\Omega$ | M05 | 11,2 | 80 |
| L = 53    |          |   |                                  |     |      |    |



|               |           |  |                |     |      |     |
|---------------|-----------|--|----------------|-----|------|-----|
| R 176 027     | UG.494A/U | Cable clamp -<br>shouldered centre<br>contact                      | 14/50 $\Omega$ | M04 | 14,4 | 95  |
| R 176 027 150 |           | Cable clamp -<br>shouldered centre<br>contact<br>Ceramic insulator | 14/50 $\Omega$ |     | 14,4 | 100 |



|           |           |   |                |     |      |     |
|-----------|-----------|---|----------------|-----|------|-----|
| R 176 029 | UG.495B/U | Cable clamp -<br>shouldered centre<br>contact | 22/50 $\Omega$ | M04 | 22,9 | 184 |
|-----------|-----------|---|----------------|-----|------|-----|

Non standard (see note page 3)

# HN series

| CODE No. | UG. REF. | T Y P E | CABLE GROUP<br>$\Omega$ | ASSEMBLY CODE | MAX. $\phi_a$ | WEIGHT (g) |
|----------|----------|---------|-------------------------|---------------|---------------|------------|
|----------|----------|---------|-------------------------|---------------|---------------|------------|

## STRAIGHT JACK

|           |          |   |                                  |     |      |    |
|-----------|----------|---|----------------------------------|-----|------|----|
| R 176 218 | UG.60D/U | Cable clamp - shouldered centre contact | 10/50 $\Omega$<br>11/50 $\Omega$ | M03 | 11,2 | 66 |
|-----------|----------|---|----------------------------------|-----|------|----|

## STRAIGHT FLANGE JACK

|           |          |             |                                  |     |      |    |
|-----------|----------|-------------|----------------------------------|-----|------|----|
| R 176 268 | UG.61D/U | Cable clamp | 10/50 $\Omega$<br>11/50 $\Omega$ | M03 | 11,2 | 75 |
|-----------|----------|-------------|----------------------------------|-----|------|----|

## FLANGE RECEPTACLE

|           |          |                            |  |  |  |    |
|-----------|----------|----------------------------|--|--|--|----|
| R 176 404 | UG.496/U | Square flange - solder pot |  |  |  | 38 |
|-----------|----------|----------------------------|--|--|--|----|

## ADAPTORS

|           |  |  |  |  |  |    |
|-----------|--|--|--|--|--|----|
| R 176 754 |  | Bulkhead female - female, splashproof panel seal |  |  |  | 80 |
|-----------|--|--|--|--|--|----|

|               |  |   |  |  |  |    |
|---------------|--|---|--|--|--|----|
| R 176 754 150 |  | Bulkhead female - female, splashproof panel seal<br>Ceramic insulator |  |  |  | 80 |
|---------------|--|---|--|--|--|----|

|           |           |                     |  |  |  |    |
|-----------|-----------|---------------------|--|--|--|----|
| R 176 770 | UG.212C/U | Elbow male - female |  |  |  | 73 |
|-----------|-----------|---------------------|--|--|--|----|

