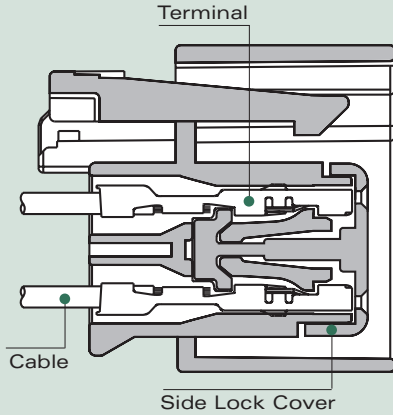
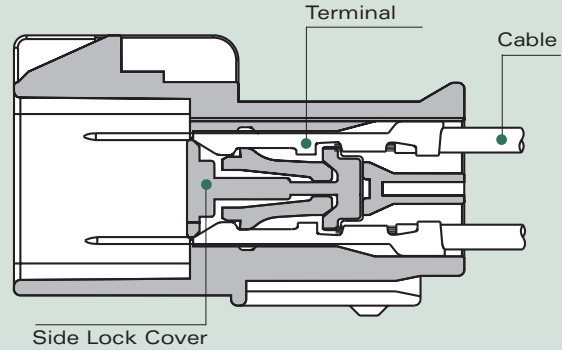




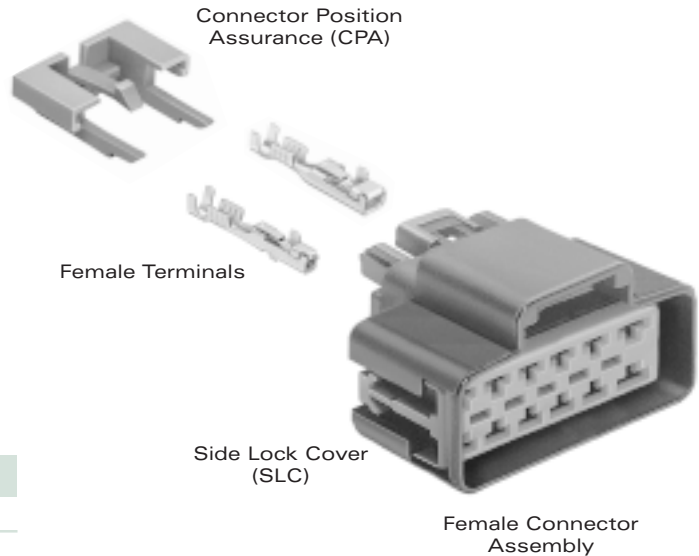
## Cross Sectional View



Female Connector Assembly



Male Connector Assembly



### GT 150 FEMALE TERMINALS UNSEALED

Part #	Cable Range (mm <sup>2</sup> )	Material	Plating
12191811	0.50-0.35	Tin Brass	Tin
12191812	1.00-0.75	Tin Brass	Tin

### GT 280 FEMALE TERMINALS UNSEALED

Part #	Cable Range (mm <sup>2</sup> )	Material	Plating
15304710	0.50-0.35	Tin Brass	Tin
15304711	1.00-0.75	Tin Brass	Tin
15304712	3.00-1.50	Tin Brass	Tin
15304713	5.00-4.00	Tin Brass	Tin

### GT MIXED FEMALE CONNECTOR ASSEMBLIES UNSEALED

# Cavities	Connector	Color	Material
12	15336205	Black	PA6 10% GF & 20% GB
16	15336219	Black	PA6 10% GF & 20% GB
18	15326082	Black	PA6 10% GF & 20% GB

Side Lock Covers (SLC) are included in the Connector Assemblies listed in this section.

<http://delphi.com/products/connect>