

FEATURES AND SPECIFICATIONS

Features and Benefits

- Intermateable, intermountable and interchangeable with industry-standard versions
- Cross tested to assure industry compatibility
- Positive locks
- Fully isolated contacts
- Circuit ID grooves to reduce assembly errors
- Anti-stress positioning tabs to reduce breakage

Reference Information

Product Specification: PS-42022-0001

Packaging: Bag

UL File No.: E29179

CSA File No.: LR19980

Mates With: [42002](#) header, [42022](#) cap and [43255](#) header

Designed In: Inches

Electrical

Voltage: 600V

Current:

Circuit	1	2	3	4	6	9	12	15
Amperes	13.5	13.5	13.5	13.5	11.0	11.0	11.0	11.0

Dielectric Withstanding Voltage: 2900V (Header),
5000V (Wire-To-Wire)

Insulation Resistance: 1000 MΩ min.

Mechanical

Contact Retention to Housing: 66.88N (15 lb)

Physical

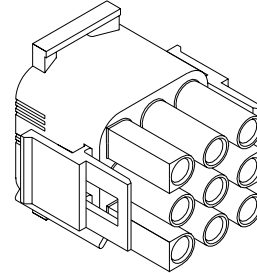
Plug Housing: Nylon, 94V-2 or 94V-0

Operating Temperature: -55 to +105°C

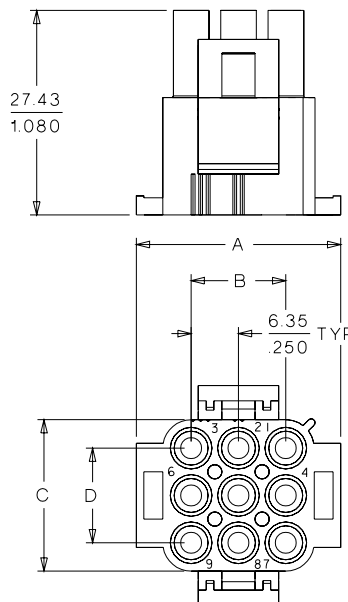


2.13mm (.084") Diameter MLX Pin and Socket Plug

42021



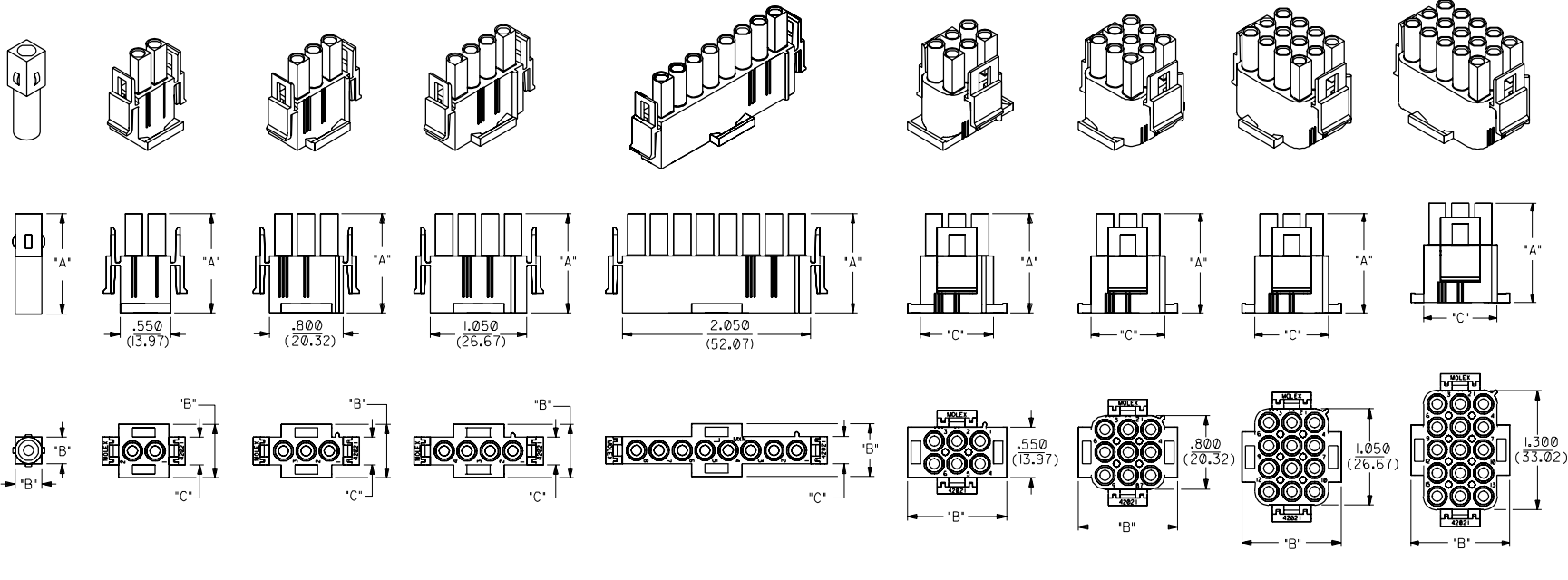
CATALOG DRAWING (FOR REFERENCE ONLY)



ORDERING INFORMATION AND DIMENSIONS

Circuits	Amperes/Circuit* (Max.)	Order No.			Dimension			
		94V-2 (White)	94V-0 (Brick Red)	94V-0 (White)	A	B	C	D
1	13.5	• 50-84-1010	• 50-84-1011	50-84-1015	7.37 (.290)		7.37 (.290)	
2	13.5	• 50-84-1020	• 50-84-1021	50-84-1025	14.73 (.580)		13.97 (.550)	6.35 (.250)
3	13.5	• 50-84-1030	• 50-84-1031	50-84-1035	14.73 (.580)		20.32 (.800)	12.70 (.500)
4	13.5	• 50-84-1040	• 50-84-1041	50-84-1045	14.73 (.580)		26.67 (1.050)	19.05 (.750)
6	11	• 50-84-1060	• 50-84-1061	50-84-1065	27.43 (1.080)	12.70 (.500)	13.97 (.550)	6.35 (.250)
9	11	• 50-84-1090	• 50-84-1091	50-84-1095	27.43 (1.080)	12.70 (.500)	20.32 (.800)	12.70 (.500)
12	11	50-84-1120	50-84-1121	50-84-1125	27.43 (1.080)	12.70 (.500)	26.67 (1.050)	19.05 (.750)
15	11	50-84-1150	50-84-1151	50-84-1155	27.43 (1.080)	12.70 (.500)	33.02 (1.300)	25.40 (1.000)

* US Standard Product, available through Molex franchised distributors

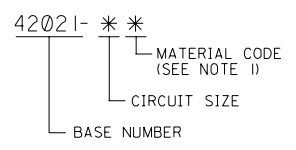


PART NO.	ENG. NO.	CIRCUIT SIZE	MATERIAL (SEE NOTE 1)	DIM. "A"	DIM. "B"	DIM. "C"
050-84-1010	42021-1A	1	A	1.080 (27.43)	.290 (7.37)	----
050-84-1011	42021-1B	1	B	1.080 (27.43)	.290 (7.37)	----
050-84-1015	42021-1C	1	C	1.080 (27.43)	.290 (7.37)	----
050-84-1020	42021-2A	2	A	1.080 (27.43)	.580 (14.73)	.300 (7.62)
050-84-1021	42021-2B	2	B	1.080 (27.43)	.580 (14.73)	.300 (7.62)
050-84-1025	42021-2C	2	C	1.080 (27.43)	.580 (14.73)	.300 (7.62)
050-84-1030	42021-3A	3	A	1.080 (27.43)	.580 (14.73)	.300 (7.62)
050-84-1031	42021-3B	3	B	1.080 (27.43)	.580 (14.73)	.300 (7.62)
050-84-1035	42021-3C	3	C	1.080 (27.43)	.580 (14.73)	.300 (7.62)
050-84-1040	42021-4A	4	A	1.080 (27.43)	.580 (14.73)	.300 (7.62)
050-84-1041	42021-4B	4	B	1.080 (27.43)	.580 (14.73)	.300 (7.62)
050-84-1045	42021-4C	4	C	1.080 (27.43)	.580 (14.73)	.300 (7.62)
050-84-1060	42021-6A	6	A	1.080 (27.43)	1.080 (27.43)	.800 (20.32)
050-84-1061	42021-6B	6	B	1.080 (27.43)	1.080 (27.43)	.800 (20.32)
050-84-1065	42021-6C	6	C	1.080 (27.43)	1.080 (27.43)	.800 (20.32)
PRELIMINARY	42021-8A	8	A	1.080 (27.43)	.580 (14.73)	.300 (7.62)
PRELIMINARY	42021-8B	8	B	1.080 (27.43)	.580 (14.73)	.300 (7.62)
PRELIMINARY	42021-8C	8	C	1.080 (27.43)	.580 (14.73)	.300 (7.62)
050-84-1090	42021-9A	9	A	1.080 (27.43)	1.080 (27.43)	.800 (20.32)
050-84-1091	42021-9B	9	B	1.080 (27.43)	1.080 (27.43)	.800 (20.32)
050-84-1095	42021-9C	9	C	1.080 (27.43)	1.080 (27.43)	.800 (20.32)
050-84-1120	42021-12A	12	A	1.080 (27.43)	1.080 (27.43)	.800 (20.32)
050-84-1121	42021-12B	12	B	1.080 (27.43)	1.080 (27.43)	.800 (20.32)
050-84-1125	42021-12C	12	C	1.080 (27.43)	1.080 (27.43)	.800 (20.32)
050-84-1150	42021-15A	15	A	1.080 (27.43)	1.080 (27.43)	.800 (20.32)
050-84-1151	42021-15B	15	B	1.080 (27.43)	1.080 (27.43)	.800 (20.32)
050-84-1155	42021-15C	15	C	1.080 (27.43)	1.080 (27.43)	.800 (20.32)

NOTES:

- 1) MATERIAL CODES:
 "A"= NYLON TYPE 6/6, 94V-2
 COLOR: NATURAL (WHITE/TRANSLUCENT)
 "B"= NYLON TYPE 6/6, 94V-0
 COLOR: (BRICK RED)
 "C"= NYLON TYPE 6/6, 94V-0
 COLOR: NATURAL (WHITE)
- 2) UNLESS OTHERWISE INDICATED, DIMENSIONS ARE FOR REFERENCE ONLY.
- 3) PLUG HOUSINGS MATE WITH :
 - CAP HOUSINGS, .084/(2.13) DIA. SERIES: (42022-***)
 - HEADER ASSEMBLY HOUSINGS, .084/(2.13) DIA. SERIES: (A-42002-*****)
- 4) HOUSINGS DESIGNED TO BE USED WITH TERMINALS :
 - PINS, .084/(2.13) DIA. SERIES: (42023-****)
 - SOCKETS, .084/(2.13) DIA. SERIES: (42024-****)
- 5) CONTACTS ARE ON .250/(6.35) GRID CENTERLINE SPACING.
- 6) PRODUCT SPECIFICATION PS-42022-0001 APPLIES.

LEGEND:



DIMENSIONS SHOWN METRIC INCH		UNLESS OTHERWISE SPECIFIED TOLERANCES ANGULAR ± 1/2°		TITLE	
3 PLACE ± .010	---	INCH	METRIC	HOUSINGS, PLUG	
2 PLACE ± .014	± 0.25			.084"/(2.13) DIA. SERIES	
1 PLACE ---	± 0.36				
DRAWING: DRW. BY: GWF		SCALE: 1.5 : 1		PART NO. SD-42021-***	
APP'D: GWF		SCALE: 1.5 : 1		SHEET NO. 1 OF 1	
DATE: 11/16/87		FILE NAME: SD42021X1.DWG		DATE: 11/16/87	
DRAWING: DRW. BY: GWF		SCALE: 1.5 : 1		SHEET NO. 1 OF 1	
APP'D: GWF		SCALE: 1.5 : 1		DATE: 11/16/87	

42021