

## FEATURES AND SPECIFICATIONS

### Features and Benefits

- Sizes 2 to 6 circuits
- Plating options available (contact Molex)

### Reference Information

Packaging: Bag  
 UL File No.: E29179  
 CSA File No.: LR19980  
 Mates With: 5195-N and 5239-N housings  
 Designed In: Millimeters

### Electrical

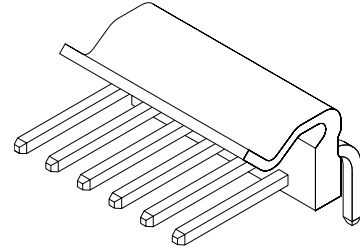
Voltage: 250V  
 Current: 7.0A  
 Contact Resistance: 10mΩ max.  
 Dielectric Withstanding Voltage: 1500V AC/1 min.  
 Insulation Resistance: 1000 MΩ min.

### Physical

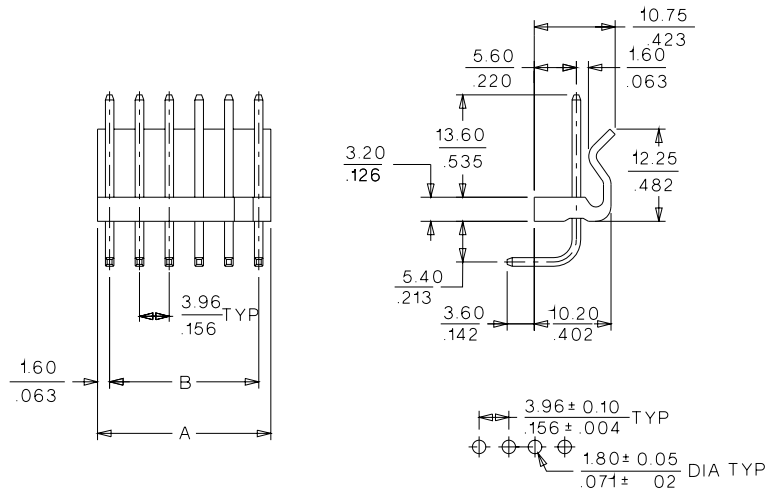
Housing: 6/6 nylon, UL 94V-2  
 Contact: Brass, 1.14mm (.045") square  
 Plating: Tin  
 Operating Temperature: -40 to +105°C

**molex**® **3.96mm (.156") Pitch**  
**SPOX™**  
**Header**

**5274-NA**  
**Right Angle**  
**Friction Lock**



## CATALOG DRAWING (FOR REFERENCE ONLY)



## ORDERING INFORMATION AND DIMENSIONS

Circuits	Order No.	Dimension	
		A	B
2	09-75-2024	7.16 (.282)	3.96 (.156)
3	09-75-2034	11.12 (.437)	7.92 (.312)
4	09-75-2044	15.08 (.593)	11.88 (.467)
5	09-75-2054	19.04 (.749)	15.84 (.623)
6	09-75-2064	23.00 (.906)	19.80 (.779)

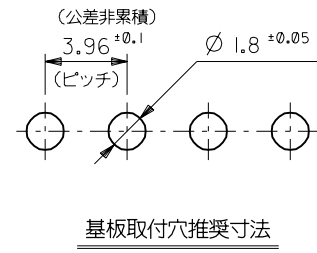
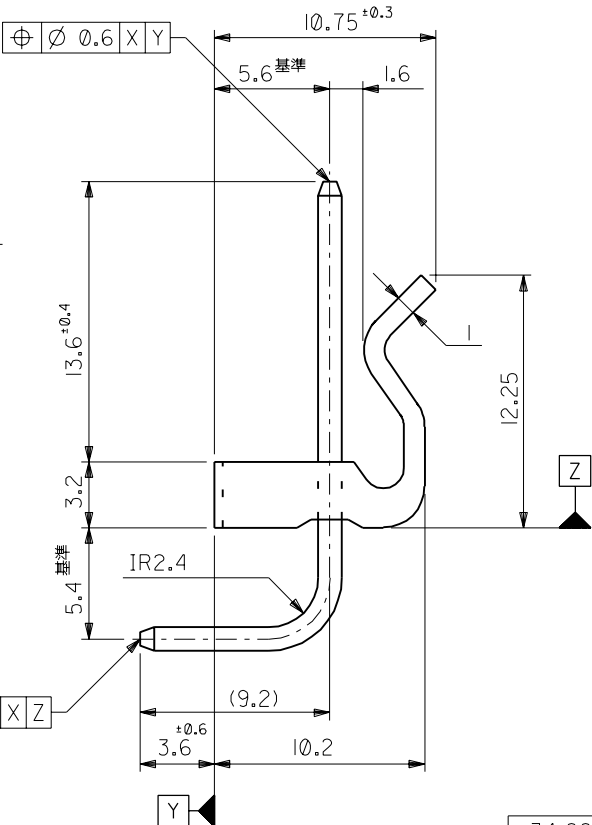
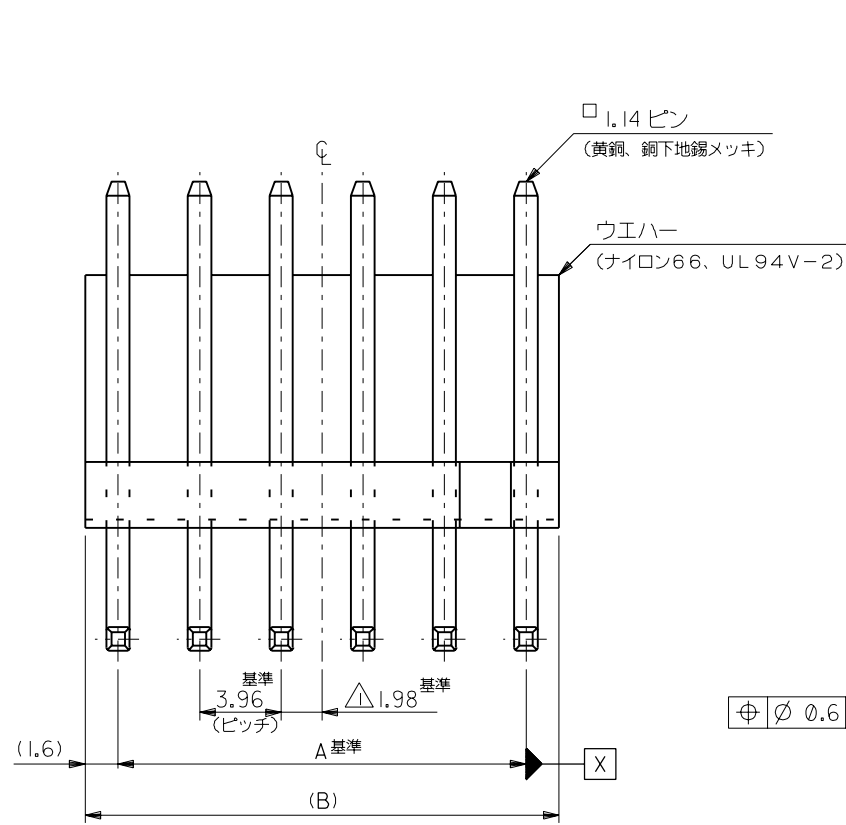
**D**

**3.00 to 7.92mm (.118 to .312") Pitch**

:MM DIMENSIONS IN METRIC DO NOT SCALE DRAWING

EDP NO. 09-75-2\*\*4

ENG. NO. SD-5274-NA



**注記**

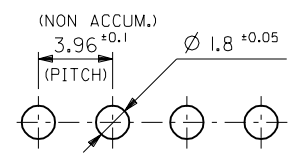
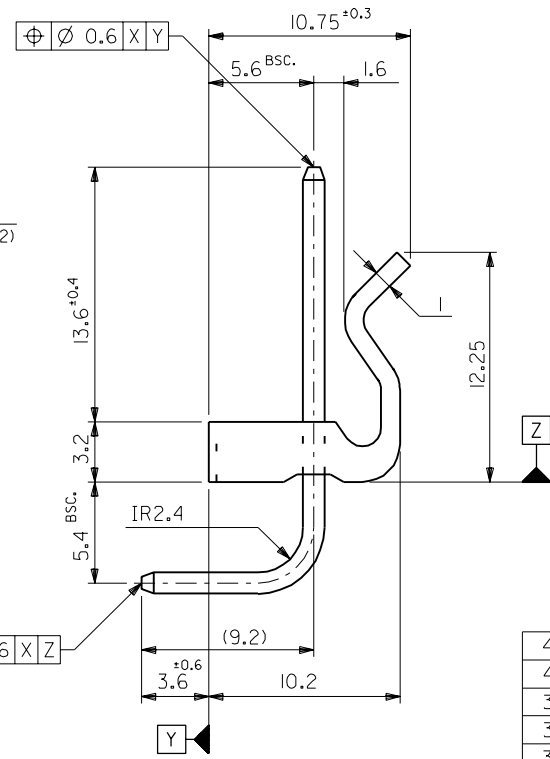
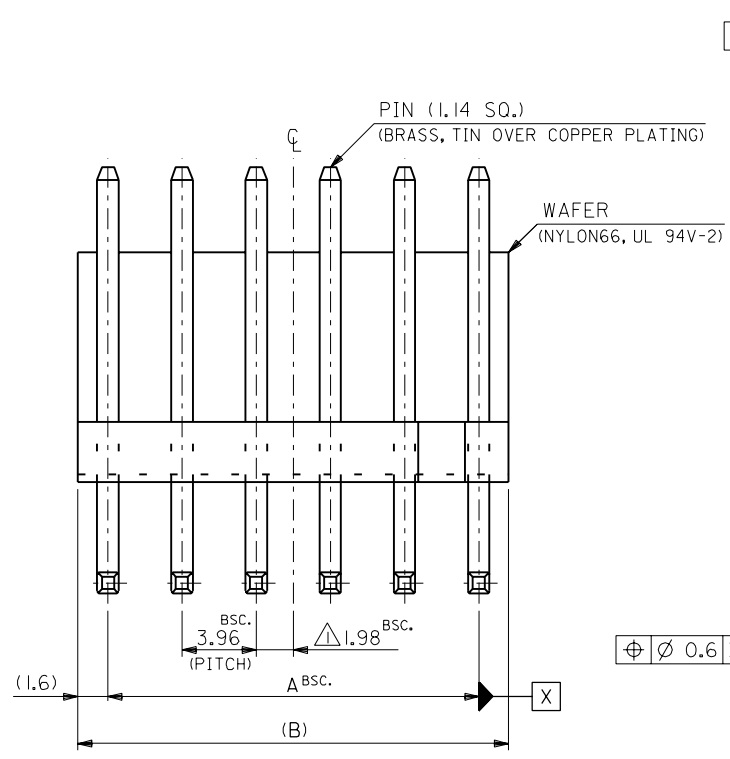
△ 全極数が偶数の場合にのみ適用。

34.88	31.68	09-75-2094	5274-09A	9
26.96	23.76	▲ -2074	▲ -07A	7
23	19.8	-2064	-06A	6
19.04	15.84	-2054	-05A	5
15.08	11.88	-2044	-04A	4
11.12	7.92	▼ -2034	▼ -03A	3
7.16	3.96	09-75-2024	5274-02A	2
B	A	EDP NO.	ENG. NO.	極数

材料 MATERIAL		図中参照		MOLEX-JAPAN CO.,LTD. 日本モレックス株式会社	
仕上げ FINISH		---		EDP. NO. 09-75-2**4	
適用電線範囲 WIRE RANGE		---		ENG. NO. SD-5274-NA	
被覆外径 INS. RANGE		---		REV C	
角度 ANGLE	±3°	記号 LTR	変更内容 REVISION RECORD	DR. CHK.	日付 DATE
30 以上 OVER	+0.3	C	変更 & 再作図 (J10356)	H.H	'91/5/14
10 以上 OVER 30 未満 UNDER	+0.25				
10 未満 UNDER	+0.2				
一般公差 GENERAL TOLERANCES		REVISE ONLY ON CAD SYSTEM			
		DRAWN BY '91/5/13 H.HIRAMOTO		CHK'D BY '91/05/15 M.FUKUSHIMA	
		APP'D BY '91/05/15 M.ENOMOTO		尺度 SCALE 4 - 1	
TITLE 名称 KK 3.96 WAFER ASS'Y RIGHT ANGLE WITH LOCK					

THIS DRAWING CONTAINS INFORMATION THAT IS PROPRIETARY TO MOLEX(JAPAN) AND SHOULD NOT BE USED WITHOUT WRITTEN PERMISSION  
本図面は日本モレックス(株)の所有する情報を含むもので、当社の許可なく複製を禁止する。

EDP NO. 09-75-2\*\*4      ENG. NO. SD-5274-NA  
 :MM DIMENSIONS IN METRIC DO NOT SCALE DRAWING



RECOMMENDED P. C. BOARD HOLE DIM.

**NOTES**

△ TO BE APPLIED ONLY WHEN ALL CKTS. ARE EVEN.

46.76	43.56	09-75-2124	5274-12A	12
42.8	39.6	▲ -2114	▲ -11A	11
38.84	35.64	-2104	-10A	10
34.88	31.68	-2094	-09A	9
30.92	27.72	-2084	-08A	8
26.96	23.76	-2074	-07A	7
23	19.8	-2064	-06A	6
19.04	15.84	-2054	-05A	5
15.08	11.88	-2044	-04A	4
11.12	7.92	▼ -2034	▼ -03A	3
7.16	3.96	09-75-2024	5274-02A	2
B	A	EDP NO.	ENG. NO.	NO. OF CKTS.

材料 MATERIAL		SEE DRAWING		molex MOLEX-JAPAN CO.,LTD. 日本モレックス株式会社	
仕上げ FINISH		— —		EDP. NO. 09-75-2**4	
適用電線範囲 WIRE RANGE		— —		ENG. NO. SD-5274-NA	
被覆外径 INS. RANGE		— —		REV C	
角度 ANGLE	+3°	記号 LTR	変更内容 REVISION RECORD	DR. CHK.	日付 DATE
30 以上 OVER	+0.3	C	REVISED & REDRAWN (J10356)	H.H.	'91/5/14
10 以上 30 未満 UNDER	+0.25				
10 未満 UNDER	+0.2				
一般公差 GENERAL TOLERANCES		REVISE ONLY ON CAD SYSTEM			
		DRAWN BY 91/5/13 H.HIRAMOTO		CHK'D BY 91/05/15 M.FUKUSHIMA	
		APP'D BY 91/05/15 M.ENOMOTO		尺 度 SCALE 4 - 1	
TITLE 名称 KK 3.96 WAFER ASS'Y RIGHT ANGLE WITH LOCK					

THIS DRAWING CONTAINS INFORMATION THAT IS PROPRIETARY TO MOLEX(JAPAN) AND SHOULD NOT BE USED WITHOUT WRITTEN PERMISSION  
 本図面は日本モレックス(株)の所有する情報を含むもので 当社の許可なく複製を禁止する。 MXJ-8