

FEATURES AND SPECIFICATIONS

Features and Benefits

- Sizes 30 to 50 circuits
- For 0.30mm (.012") thick FFC/FPC
- Pre-hold cable retention feature helps facilitate correct FPC insertion
- Durable actuator design
- Metal solder tabs provide pcb hold-down and strain relief for SMT tails

Reference Information

Packaging: Embossed tape
 Product Specification: PS-54132-010
 Designed In: Millimeters

Electrical

Voltage: 50V
 Current: 0.5A
 Contact Resistance: 20mΩ max.
 Dielectric Withstanding Voltage: 250V AC/1 min.
 Insulation Resistance: 50 MΩ min.

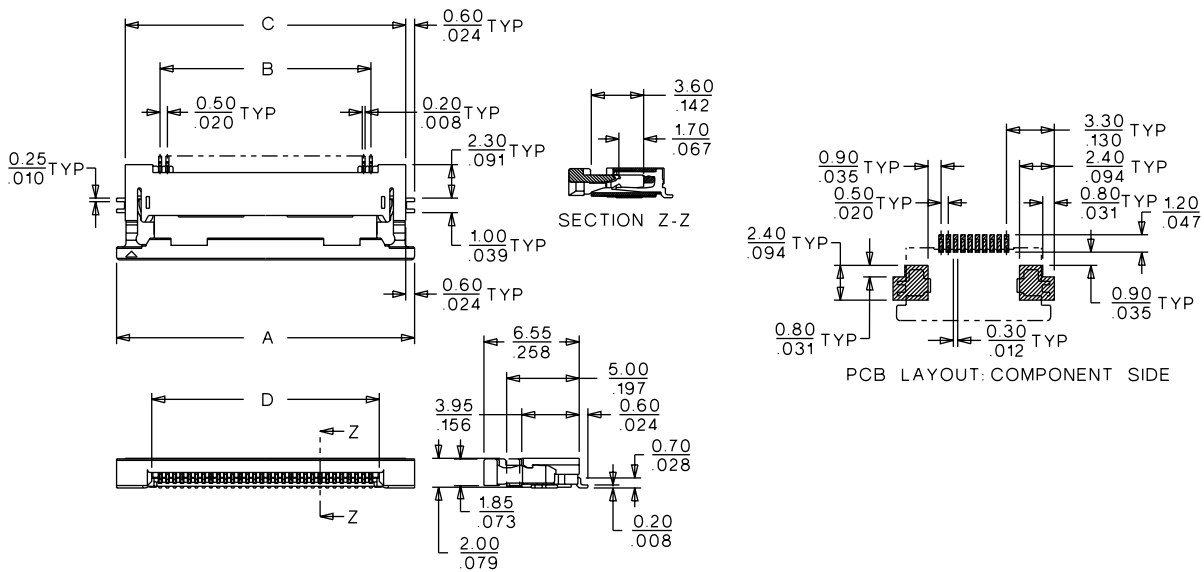
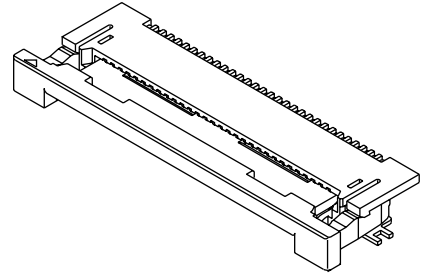
Physical

Housing: 4/6 nylon, UL 94V-0
 Actuator: PPS, UL 94V-0
 Contact: Phosphor Bronze
 Plating: Tin
 Solder Tabs: Phosphor Bronze, Tin plating
 Temperature: -20 to +85°C

molex® 0.50mm (.020") Pitch FFC/FPC Connector

54132

Right Angle, SMT, ZIF Bottom Contact Style



ORDERING INFORMATION AND DIMENSIONS

Circuits	Order No.	Dimension				Carrier Tape Width
		A	B	C	D	
30	54132-3092	20.50 (.807)	14.50 (.571)	19.30 (.760)	15.65 (.616)	44.00 (1.732)
32	54132-3292	21.50 (.846)	15.50 (.610)	20.30 (.799)	16.65 (.656)	
33	54132-3392	22.00 (.866)	16.00 (.630)	20.80 (.819)	17.15 (.675)	
34	54132-3492	22.50 (.886")	16.50 (.650")	21.30 (.839")	17.65 (.695")	
35	54132-3592	23.00 (.906)	17.00 (.669)	21.80 (.858)	18.15 (.715)	
36	54132-3692	23.50 (.925)	17.50 (.689)	22.30 (.878)	18.65 (.734)	
38	54132-3892	24.50 (.965)	18.50 (.728)	23.30 (.917)	19.65 (.774)	
40	54132-4092	25.50 (1.004)	19.50 (.768)	24.30 (.957)	20.65 (.813)	
43	54132-4392	27.00 (1.063")	21.00 (.827")	25.80 (1.016")	22.15 (.872")	
45	54132-4592	28.00 (1.102)	22.00 (.866)	26.80 (1.055)	23.15 (.911)	
50	54132-5092	30.50 (1.201)	24.50 (.965)	29.30 (1.154)	25.65 (1.010)	

Note: For cable specification dimensions, see cable pages at end of section

DWG. NO. SD-54132-011

F

D

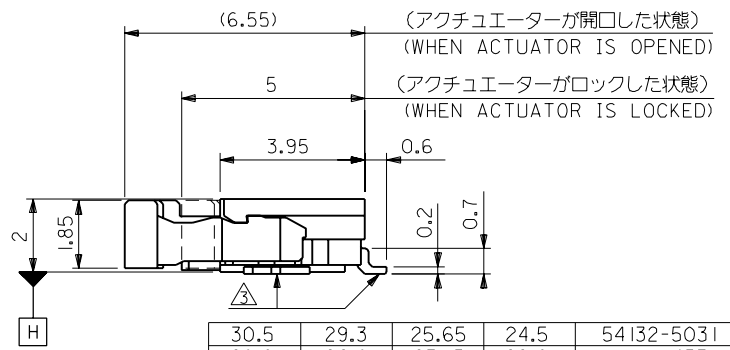
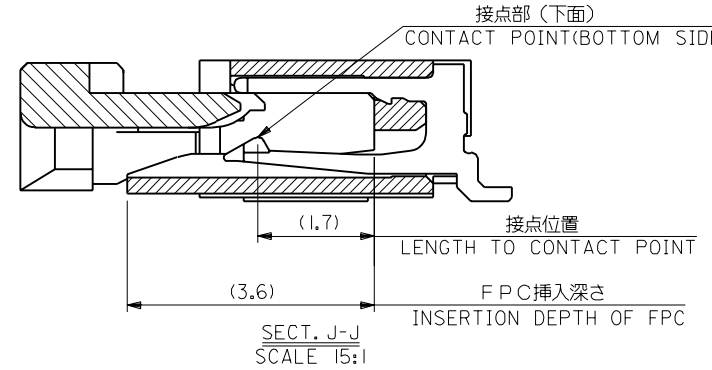
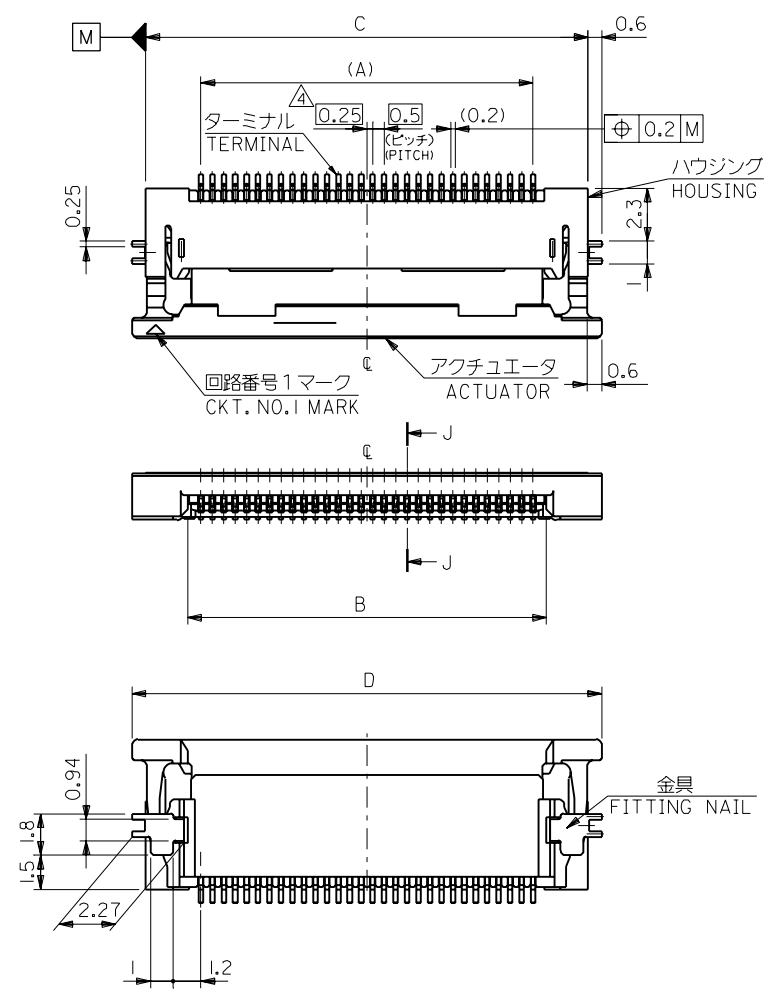
V

C

B

DO NOT SCALE DRAWING

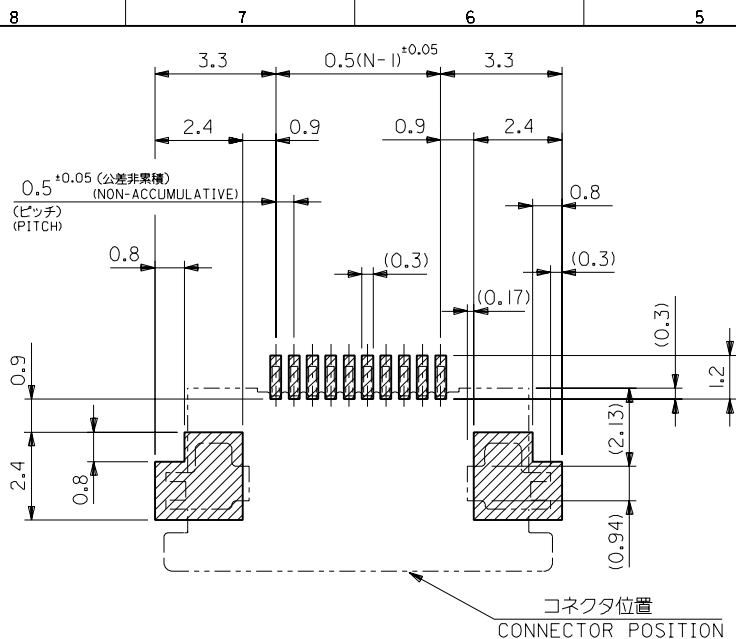
EC NO. DRWN: CHK: APPR:	EC NO. DRWN: CHK: APPR:	EC NO. DRWN: CHK: APPR:	EC NO. DRWN: CHK: APPR:	EC NO. DRWN: CHK: APPR:	EC NO. JC200 I-0171 DRWN: K.KOHAMA 00/09/13 CHK: S.KUNISHI 00/09/13 APPR: M.FUKUSHIMA 00/09/13	REV DESCRIPTION	MATERIAL 材料	GENERAL TOLERANCES: (UNLESS SPECIFIED) 一般公差	SCALE ---	DESIGN UNITS <input checked="" type="checkbox"/> mm <input type="checkbox"/> INCH	THIRD ANGLE PROJECTION	DIMENSIONS: <input type="checkbox"/> mm <input type="checkbox"/> INCH <input checked="" type="checkbox"/> mm ONLY	SHT REV			
					RELEASED		SHEET 2 OF 2 参照 SEE SHEET 2 OF 2	10 UNDER 未満	+0.2	DRAWN BY & DATE K.KOHAMA 00/09/13	TITLE: 0.5 FPC CONN, ZIF HOUSING ASS'Y FOR SMT. (R/A) BOTTOM CONTACT	MOLEX INCORPORATED	SHEET NO. 1 OF 2			
					FINISH 仕上り		10 OVER 以上 30 UNDER 未満	+0.25	CHECKED BY & DATE S.KUNISHI 00/09/13	CAD FILENAME 54132011.S01				MATERIAL NO. 54132-**31	DRAWING NO. SD-54132-011	SIZE B
					WIRE RANGE 適用線径範囲		30 OVER 以上	+0.3	APPROVED BY & DATE M.FUKUSHIMA 00/09/13							
					INS. RANGE 被覆外径		ANGLE 角度	+3°				EN-02J(097) MXJ-54				



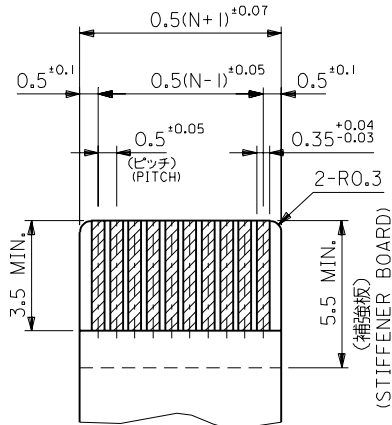
30.5	29.3	25.65	24.5	54132-5031	50
28.0	26.8	23.15	22.0	-4531	45
27.0	25.8	22.15	21.0	-4331	43
25.5	24.3	20.65	19.5	-4031	40
24.5	23.3	19.65	18.5	-3831	38
23.5	22.3	18.65	17.5	-3631	36
23.0	21.8	18.15	17.0	-3531	35
22.5	21.3	17.65	16.5	-3431	34
22.0	20.8	17.15	16.0	-3331	33
21.5	20.3	16.65	15.5	-3231	32
20.5	19.3	15.65	14.5	54132-3031	30
D	C	B	A	ENG. NO.	CKT.

54132011.S01

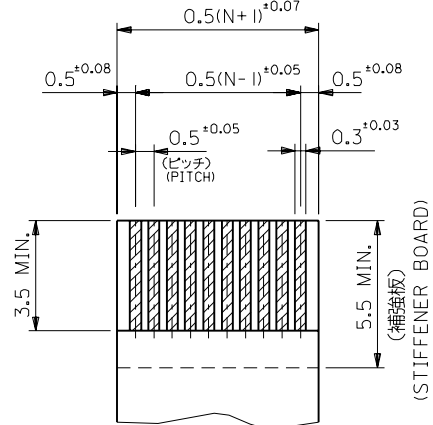
DWG. NO.
SD-54132-011



参考基板レイアウト
RECOMMENDED PC BOARD PATTERN DIMENSION(REF.)
(マウント面)
(MOUNTING SIDE)



適合FPC推奨寸法
APPLICABLE FPC RECOMMENDED DIMENSION
(仕上がり厚さ: 0.3±0.03)
(THICKNESS: 0.3±0.03)



適合FFC推奨寸法
APPLICABLE FFC RECOMMENDED DIMENSION
(仕上がり厚さ: 0.3±0.03)
(THICKNESS: 0.3±0.03)

注記
NOTES

1. 使用材料
MATERIAL
ハウジング : 46ナイロン, UL94V-0
HOUSING : 46NYLON
アクチュエーター : PPS, UL94V-0
ACTUATOR : PPS
ターミナル : リン青銅, 錫メッキ (t=0.2)
TERMINAL : PHOS-BRO, TIN-PLATED
金具 : リン青銅, 錫メッキ (t=0.2)
FITTING NAIL : PHOS-BRO, TIN-PLATED

2. エンボステープ梱包時は、アクチュエーターがロックした状態とする。
IN THE PACKAGE, ACTUATOR OF PART NO.54132-***31 SHOULD BE LOCKED.
- △ ソルダテール半田付け面のズレ量、及び金具半田付け面のズレ量は、基準面 □ に対し上方向0.1MAX. 下方向0.15MAX. とする。
MISALIGNMENT OF SOLDER TAILS AND FITTING NAIL FROM □ UPPER DIRECTION: 0.1 MAX., LOWER DIRECTION: 0.15 MAX.
- △ 偶数極に適用
APPLY FOR EVEN CIRCUIT.
- △ パターンはくり止め用金具
FITTING NAIL FOR PREVENTION OF PEELING OF P.C.B. PATTERN.

FPC/FFCについて

打抜き方向は導体側から補強板側を推奨いたします。
導体部については軟銅箔35マイクロメーターまたは50マイクロメーターメッキ厚 3~9マイクロメーター錫または半田メッキ (電気メッキ)
RECOMMENDED PUNCHER DIRECTION:
FROM CONDUCTOR SIDE TO STIFFENER BOARD SIDE.
RECOMMENDED CONDUCTOR SPEC.:
THICKNESS OF SOFT COPPER FOIL:
35 micrometer or 50 micrometer
TIN OR SOLDER PLATING:
3~9 micrometer (ELECTRICAL PLATING)

DO NOT SCALE DRAWING

EC NO. DRAWN: CHK: APPR:	EC NO. DRAWN: CHK: APPR:	EC NO. DRAWN: CHK: APPR:	EC NO. DRAWN: CHK: APPR:	RELEASED EC NO.: JC2001-0171 DRAWN: K.KOHAMA 00/09/13 CHK: S.KUNISHI 00/09/13 APPR: M.FUKUSHIMA 00/09/13	MATERIAL 材料 注記参照 SEE NOTES	GENERAL TOLERANCES: (UNLESS SPECIFIED) 一般公差		SCALE	DESIGN UNITS	THIRD ANGLE PROJECTION	DIMENSIONS:		SHT	REV
						10 UNDER 未滿	+0.2	---	mm □ INCH		mm	INCH	mm ONLY	REVISE ON CAD ONLY
FINISH 仕上げ						10 OVER 以上	30 UNDER 未滿	+0.25	DRAWN BY & DATE K.KOHAMA 00/09/13		TITLE: 0.5 FPC CONN. ZIF HOUSING ASS'Y FOR SMT. (R/A) BOTTOM CONTACT			
WIRE RANGE 適用導線範囲						30 OVER 以上		+0.3	CHECKED BY & DATE S.KUNISHI 00/09/13		APPROVED BY & DATE M.FUKUSHIMA 00/09/13			
INS. RANGE 被覆外径						ANGLE 角度		+3°	CAD FILENAME 5413211.S02		MATERIAL NO. 54132-***31	DRAWING NO. SD-54132-011	SHEET NO. 2 OF 2	
THIS DRAWING CONTAINS INFORMATION THAT IS PROPRIETARY TO MOLEX INCORPORATED AND SHOULD NOT BE USED WITHOUT WRITTEN PERMISSION.														SIZE B

DWG. NO. SD-54132-012

E

D

C

B

DO NOT SCALE DRAWING

8

7

6

5

4

3

2

1

F

E

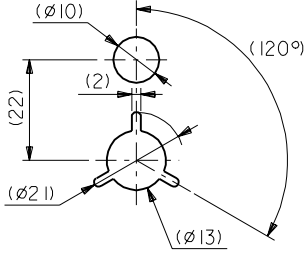
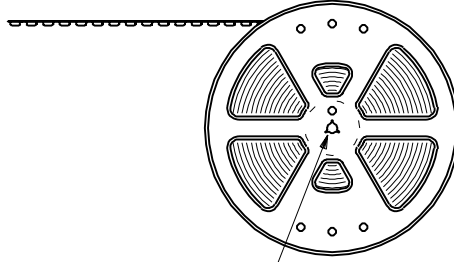
D

C

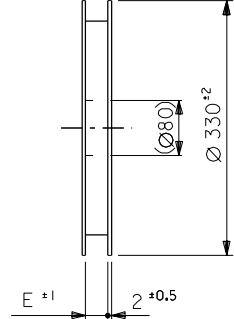
B

A

引き出し方向
PULL OUT DIRECTION

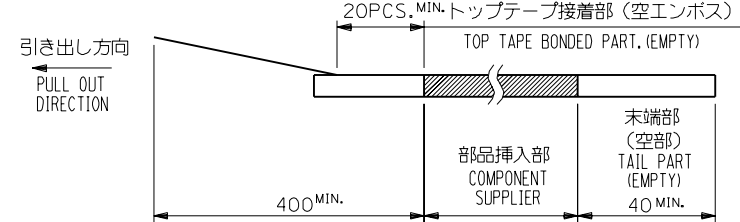


DETAIL "F"

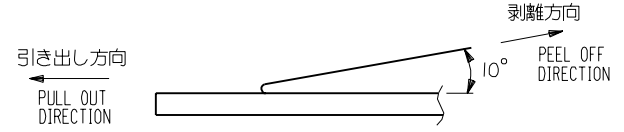


NOTES

1. 梱包数量：1500個/リール
NUMBER OF CONNECTORS：1500PCS/REEL
2. リードテープ長さ LEAD TAPE LENGTH



3. トップテープの剥離強度：0.1N ~ 0.7N(10.2gf ~ 71.4gf)
(剥離方向は下図参照)
尚、本規格値は出荷時に適用。(但し、輸送時に剥離が発生しないこと。)
PEELING OFF FORCE OF TOP TAPE：0.1N ~ 0.7N(10.2gf ~ 71.4gf)
(PEELING DIRECTION AS SHOWN IN FOLLOWING FIG.)
THIS REQUIREMENT SHOULD BE APPLIED AT SHIPMENT.
PEEL OFF SHOULD NOT BE ALLOWED, DURING TRANSPORTATION.



5. 材料
キャリアテープ：ポリプロピレン (PP)
トップテープ：PET, PE, PEF
リール：ポリスチレン (PS) <リサイクル材を含む>

MATERIAL CARRIER TAPE:POLYPROPYLENE
TOP TAPE:PET,PE,PEF
REEL:POLYSTYREN(PS)
<RECYCLE MATERIAL CONTAINED>

EC NO. DRWN: CHK: APPR:	EC NO. DRWN: CHK: APPR:	EC NO. DRWN: CHK: APPR:	REVISED	MATERIAL 材料	GENERAL TOLERANCES: (UNLESS SPECIFIED) 一般公差	SCALE 2:1	DESIGN UNITS <input checked="" type="checkbox"/> mm <input type="checkbox"/> INCH	THIRD ANGLE PROJECTION	DIMENSIONS:		SHT	REV						
			EC NO. JC200 I-0487						DESCRIPTION	10 UNDER 未滿	+0.2	DRAWN BY & DATE K.KOHAMA 00/09/13	TITLE: EMBOSSD TAPE PACKAGE FOR 0.5 FPC CONN. ZIF	<input type="checkbox"/> mm	<input type="checkbox"/> INCH	<input checked="" type="checkbox"/> mm	<input type="checkbox"/> ONLY	REVISE ON CAD ONLY
			DRWN: K.KOHAMA 00/02/22							10 OVER 以上	+0.25			CHECKED BY & DATE S.KUNISHI 00/12/22	MOLEX INCORPORATED			
			CHK: S.KUNISHI 00/02/22							30 UNDER 未滿	+0.3					CAD FILENAME 54132012.S01	MATERIAL NO. 54132-***92	DRAWING NO. SD-54132-012
APPR: M.FUKUSHIMA 00/02/22	RELEASED	30 OVER 以上	+0.3	APPROVED BY & DATE M.FUKUSHIMA 00/12/22														
EC NO. JC200 I-0171	FINISH 仕上げ	WIRE RANGE 適用線径範囲	INS. RANGE 被覆外径	ANGLE 角度							SIZE B							

8

7

6

5

4

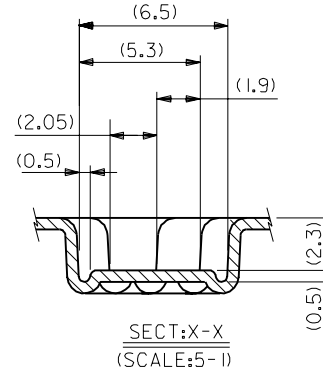
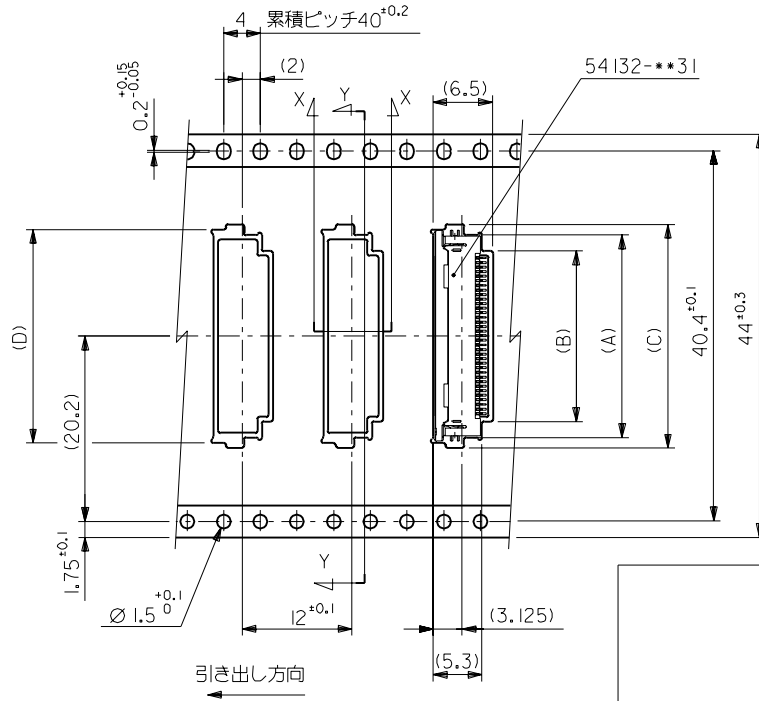
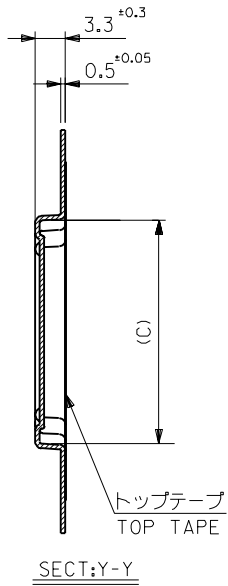
3

2

EN-02J(097) MXJ-54

54132012.S01

DWG. NO. SD-54132-012



44	45.5	30.8	31.6	26.1	29.6	54132-5092	50	
		28.3	29.4	23.6	27.1	-4592	45	
		27.3	28.4	22.6	26.1	-4392	43	
		25.8	26.9	21.1	24.6	-4092	40	
		24.8	25.9	20.1	23.6	-3892	38	
		23.8	24.9	19.1	22.6	-3692	36	
		23.3	24.4	18.6	22.1	-3592	35	
		22.8	23.9	18.1	21.6	-3492	34	
		22.3	23.4	17.6	21.1	-3392	33	
		21.8	22.9	17.1	20.6	-3292	32	
20.8	21.9	16.1	19.6	54132-3092	30			
キャリアテープ幅 CARRIER TAPE WIDTH		E	D	C	B	A	ENG. NO.	CKT.

DO NOT SCALE DRAWING

EC NO. DRWN: CHK: APPR:	EC NO. DRWN: CHK: APPR:	EC NO. DRWN: CHK: APPR:	REVISED EC NO. JC200 I-0487 DRWN: K.KOHAMA '00/02/22 CHK: S.KUNISHI '00/02/22 APPR: M.FUKUSHIMA '00/02/22 RELEASED	EC NO. JC200 I-0171 DRWN: K.KOHAMA '00/09/13 CHK: S.KUNISHI '00/09/13 APPR: M.FUKUSHIMA '00/09/13	MATERIAL 材料	GENERAL TOLERANCES: (UNLESS SPECIFIED) 一般公差	SCALE 2:1	DESIGN UNITS <input checked="" type="checkbox"/> mm <input type="checkbox"/> INCH	THIRD ANGLE PROJECTION	DIMENSIONS: <input type="checkbox"/> mm <input type="checkbox"/> INCH <input checked="" type="checkbox"/> mm ONLY	SHT REV		
SHEET 1 OF 2 参照 REFER TO SHEET 1 OF 2					FINISH 仕上げ	10 UNDER 未満	10 OVER 以上	30 UNDER 未満	30 OVER 以上	ANGLE 角度	DRAWN BY & DATE K.KOHAMA '00/09/13	CHECKED BY & DATE S.KUNISHI '00/12/22	TITLE: EMBOSSD TAPE PACKAGE FOR 0.5 FPC CONN. ZIF
WIRE RANGE 適用線径範囲					INS. RANGE 被覆外径	APPROVED BY & DATE M.FUKUSHIMA '00/12/22		MATERIAL NO. 54132-***92		DRAWING NO. SD-54132-012	SHEET NO. 2 OF 2		
THIS DRAWING CONTAINS INFORMATION THAT IS PROPRIETARY TO MOLEX INCORPORATED AND SHOULD NOT BE USED WITHOUT WRITTEN PERMISSION.											SIZE B		

EN-02J(097) MXJ-54

54132012.S02