

## FEATURES AND SPECIFICATIONS

### Features and Benefits

- Sizes 2 to 25 circuits
- Press-fit peg maximizes retention to PCB during soldering process
- Locking crown secures positive latch to header
- Standoffs minimize flux interference

### Reference Information

Product Specification: PS-70541  
 Packaging: Tube  
 UL File No.: E29179  
 CSA File No.: LR19980  
 Mates with: 70066G, 70066N, 70400G, 70430G  
 Designed in: Inches

### Electrical

Voltage: 250V  
 Current: 3.0A  
 Contact Resistance: 15mΩ max.  
 Dielectric Withstanding Voltage: 1500V  
 Insulation Resistance: 1000 MΩ min.

### Mechanical

Insertion force to PCB: 44.48N (10 lbs.)  
 Durability: Tin — 25 cycles  
 Gold — 50 cycles

### Physical

Housing: Black, glass-filled PCT, UL 94V-0  
 Contact: Phosphor Bronze  
 Operating Temperature: -40 to +105°C



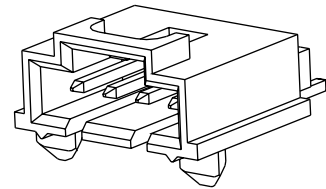
**2.54mm (.100") Pitch**

**SL™**

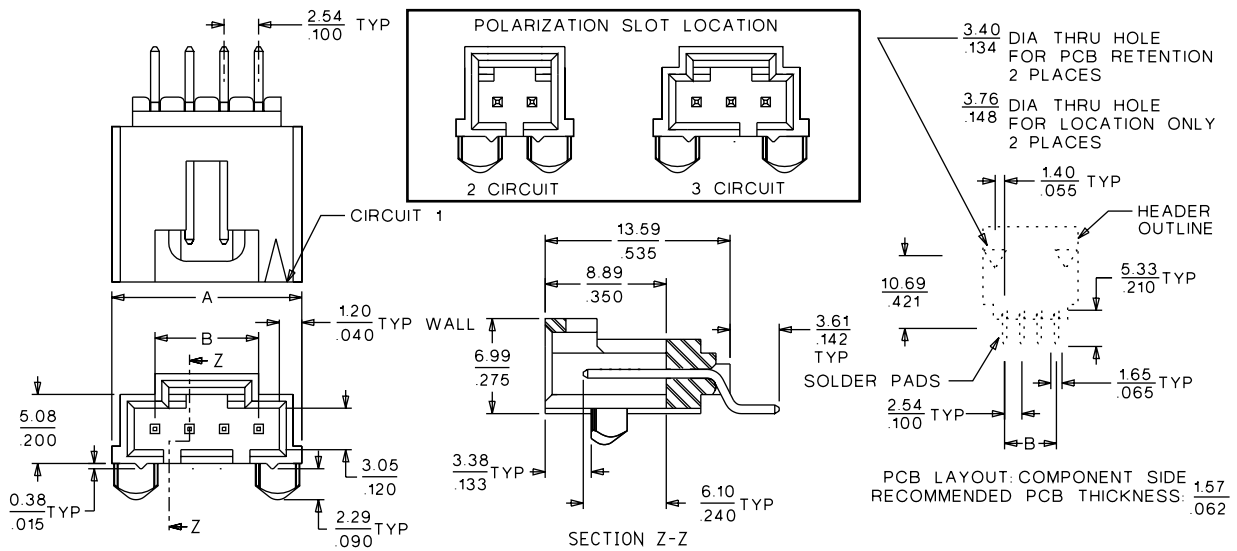
**Wire-to-Board  
Shrouded Header**

**70634**

**Single Row, .120" Pocket  
Right Angle, Low Profile  
SMT with Tri Peg**



## CATALOG DRAWING (FOR REFERENCE ONLY)

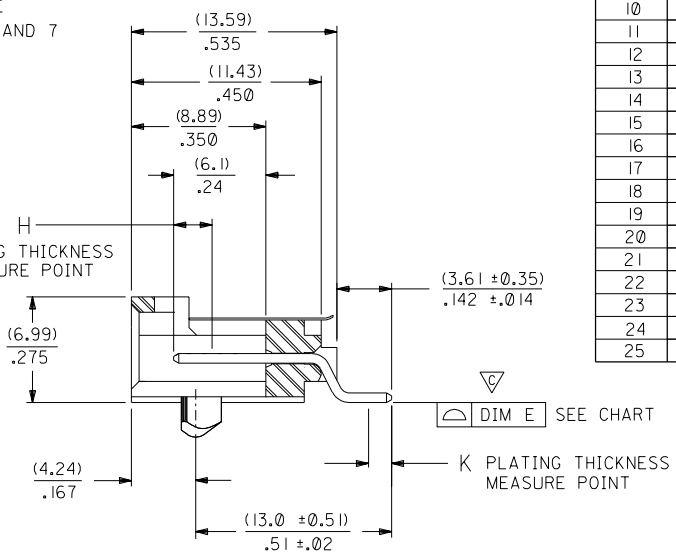
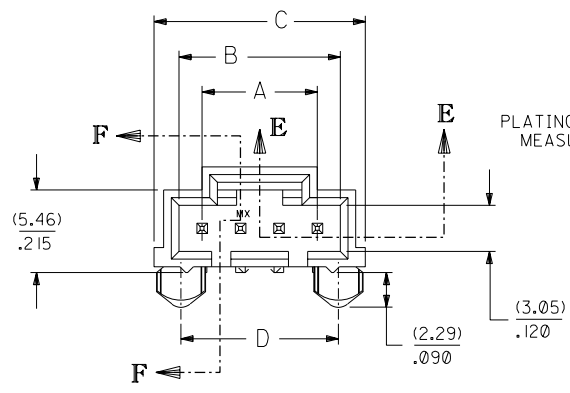
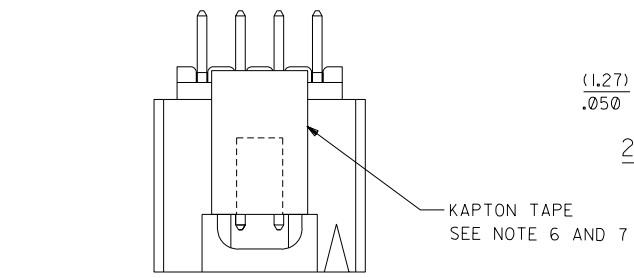
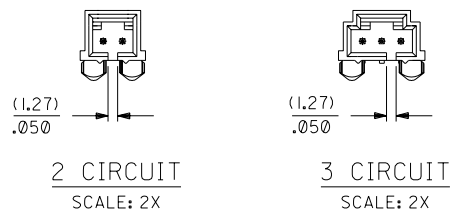


## ORDERING INFORMATION AND DIMENSIONS

Circuits	Tin	15μ" Gold	30μ" Gold	Dimension	
				A	B
2	15-91-3024	15-91-2025	15-91-3023	8.63 (.340)	2.54 (.100)
3	15-91-3034	15-91-2035	15-91-3033	11.43 (.450)	5.08 (.200)
4	15-91-3044	15-91-2045	15-91-3043	13.97 (.550)	7.62 (.300)
5	15-91-3054	15-91-2055	15-91-3053	16.51 (.650)	10.16 (.400)
6	15-91-3064	15-91-2065	15-91-3063	19.05 (.750)	12.70 (.500)
7	15-91-3074	15-91-2075	15-91-3073	21.59 (.850)	15.24 (.600)
8	15-91-3084	15-91-2085	15-91-3083	24.13 (.950)	17.78 (.700)
9	15-91-3094	15-91-2095	15-91-3093	26.67 (1.050)	20.32 (.800)
10	15-91-3104	15-91-2105	15-91-3103	29.21 (1.150)	22.86 (.900)
11	15-91-3114	15-91-2115	15-91-3113	31.75 (1.250)	25.40 (1.000)
12	15-91-3124	15-91-2125	15-91-3123	34.29 (1.350)	27.94 (1.100)
13	15-91-3134	15-91-2135	15-91-3133	36.83 (1.450)	30.48 (1.200)

Circuits	Tin	15μ" Gold	30μ" Gold	Dimension	
				A	B
14	15-91-3144	15-91-2145	15-91-3143	39.37 (1.550)	33.02 (1.300)
15	15-91-3154	15-91-2155	15-91-3153	41.91 (1.650)	35.56 (1.400)
16	15-91-3164	15-91-2165	15-91-3163	44.45 (1.750)	38.10 (1.500)
17	15-91-3174	15-91-2175	15-91-3173	46.99 (1.850)	40.64 (1.600)
18	15-91-3184	15-91-2185	15-91-3183	49.53 (1.950)	43.18 (1.700)
19	15-91-3194	15-91-2195	15-91-3193	52.07 (2.050)	45.72 (1.800)
20	15-91-3204	15-91-2205	15-91-3203	54.61 (2.150)	48.26 (1.900)
21	15-91-3214	15-91-2215	15-91-3213	57.15 (2.250)	50.80 (2.000)
22	15-91-3224	15-91-2225	15-91-3223	59.69 (2.350)	53.34 (2.100)
23	15-91-3234	15-91-2235	15-91-3233	62.23 (2.450)	55.88 (2.200)
24	15-91-3244	15-91-2245	15-91-3243	64.37 (2.550)	58.42 (2.300)
25	15-91-3254	15-91-2255	15-91-3253	67.31 (2.650)	60.96 (2.400)

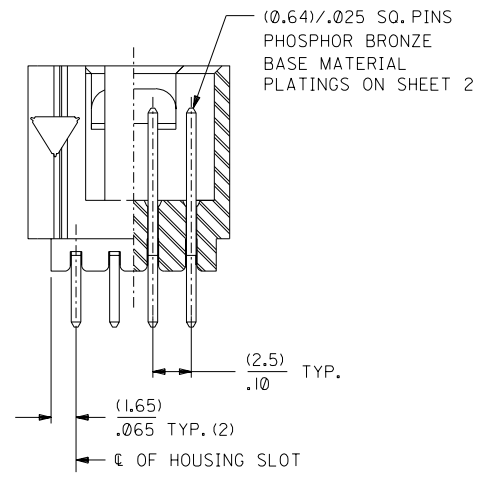
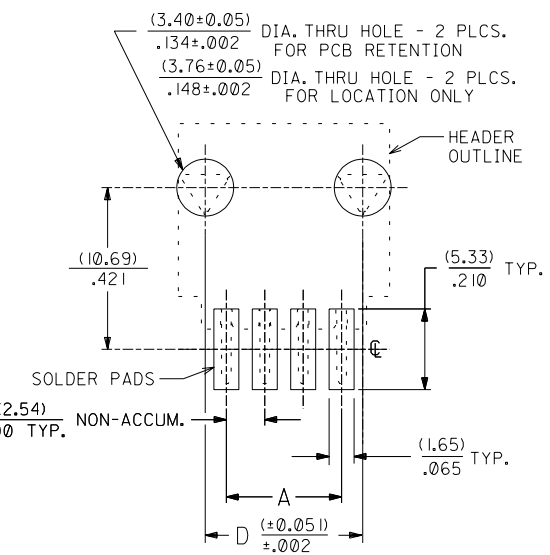
CKT. SIZE	"A"		"B"		"C"		"D"		"E"	
	MM	IN.	MM	IN.	MM	IN.	MM	IN.	MM	IN.
	2	2.54	.100	5.33	.210	8.64	.340	5.33	.210	0.13
3	5.08	.200	8.13	.320	11.43	.450	7.87	.310	0.13	.005
4	7.62	.300	10.67	.420	13.97	.550	10.41	.410	0.13	.005
5	10.16	.400	13.21	.520	16.51	.650	12.95	.510	0.13	.005
6	12.70	.500	15.75	.620	19.05	.750	15.49	.610	0.13	.005
7	15.24	.600	18.29	.720	21.59	.850	18.03	.710	0.13	.005
8	17.78	.700	20.83	.820	24.13	.950	20.57	.810	0.13	.005
9	20.32	.800	23.37	.920	26.67	1.050	23.11	.910	0.13	.005
10	22.86	.900	25.91	1.020	29.21	1.150	25.65	1.010	0.13	.005
11	25.40	1.000	28.45	1.120	31.75	1.250	28.19	1.110	0.13	.005
12	27.94	1.100	30.99	1.220	34.29	1.350	30.73	1.210	0.13	.005
13	30.48	1.200	33.53	1.320	36.83	1.450	33.27	1.310	0.13	.005
14	33.02	1.300	36.07	1.420	39.37	1.550	35.81	1.410	0.13	.005
15	35.56	1.400	38.61	1.520	41.91	1.650	38.35	1.510	0.13	.005
16	38.10	1.500	41.15	1.620	44.45	1.750	40.89	1.610	0.15	.006
17	40.64	1.600	43.69	1.720	46.99	1.850	43.43	1.710	0.15	.006
18	43.18	1.700	46.23	1.820	49.53	1.950	45.97	1.810	0.15	.006
19	45.72	1.800	48.77	1.920	52.07	2.050	48.51	1.910	0.15	.006
20	48.26	1.900	51.31	2.020	54.61	2.150	51.05	2.010	0.15	.006
21	50.80	2.000	53.85	2.120	57.15	2.250	53.59	2.110	0.18	.007
22	53.34	2.100	56.39	2.220	59.69	2.350	56.13	2.210	0.18	.007
23	55.88	2.200	58.93	2.320	62.23	2.450	58.67	2.310	0.18	.007
24	58.42	2.300	61.47	2.420	64.77	2.550	61.21	2.410	0.18	.007
25	60.96	2.400	64.01	2.520	67.31	2.650	63.75	2.510	0.18	.007



OPTION "E"

NOTES

- HOUSING MATERIAL: HIGH TEMPERATURE GLASS FILLED POLYESTER, 94V-0, COLOR: BLACK. PIN MATERIAL: PHOSPHOR BRONZE
- HEADER MATES TO 70400-\*\*\*\* AND 70430-\*\*\*\* OPTION "G" SERIES CONNECTORS.
- FOR PACKAGING OPTIONS REFER TO CHART ON SHEET 2.
- SEE SHEET 2 FOR PIN PLATINGS.
- REFER TO MOLEX PRODUCT SPECIFICATION PS-70541.
- SEE CHART ON SHEET 2 TO DETERMINE PART NUMBERS WITH KAPTON TAPE.
- KAPTON TAPE ADDED FOR PICK AND PLACE SYSTEMS. REMOVE KAPTON TAPE AFTER SOLDERING TO PREVENT INTERFERENCE WITH LATCH ON MATING PART.



2	D
1	D

MFG. SH. REV.

ADD TAPE & REEL PACKAGING OPTION. ECN# UDT2001-0586 DMORGAN 00/11/30		DIMENSIONS SHOWN (METRIC) INCH UNLESS OTHERWISE SPECIFIED TOLERANCES: ANGULAR ± 1/2°		▽ = 2 ▼ = 0 REVISE ONLY ON CAD SYSTEM	
REDIMENSIONED AND ADDED OUTLINE BARKER 99/02/01		INCH METRIC 3 PLACE ± .005 --- 2 PLACE ± .010 ± 0.13 1 PLACE --- ± 0.25		TITLE SALES ASSEMBLY SMT HEADER - RIGHT ANGLE .100 CENTERS W/P.C.B. PEGS	
RELEASED U30638 6/2/93 MGB		DRAFT WHERE APPLICABLE MUST REMAIN WITHIN DIMENSIONS		MOLEX INCORPORATED SHEET NO. DATE U.S.A. 1 OF 2 06/02/93	
ADD KAPTON TAPE FOR PICK & PLACE ECN# UDT2002-0152 DMORGAN 01/07/25		DRWG. NO. SDA-70634-****		SEE CHART	
LTR. REVISIONS		DRWG. BY EIK CHK'D. BY EIK SCALE 4 : 1		FILE NAME 570634X1.DGN	
LTR. REVISIONS		APPR'D. BY WAZ		THIS DRAWING CONTAINS INFORMATION THAT IS PROPRIETARY TO MOLEX INC. AND SHOULD NOT BE USED WITHOUT WRITTEN PERMISSION.	

13		12		11		10		9		8		7		6		70634		4		3		2		1	
J	ENGINEERING NUMBER A-70634-	MANUFACTURE RELEASE STATUS				PLATING CODES SEE BELOW	CONNECTOR TYPE	END PLATING		P.C. BOARD END PLATING		KAPTON TAPE	PACKAGING												
					H MEASURE POINT			K MEASURE POINT	OPTION	PACKAGE PER PK-70873															
	-0001-0024	R.F.M.				164	TIN/LEAD	(2.54) .100	TIN/LEAD	(1.27) .050	NO	BULK	-0152												
	-0036-0059	R.F.M.				571	GOLD	(2.54) .100	TIN/LEAD	(1.27) .050	NO	BULK	-0152												
I	-0071-0094	R.F.M.				574	GOLD	(2.54) .100	TIN/LEAD	(1.27) .050	NO	BULK	-0152												
	-0106-0129	R.F.M.				164	TIN/LEAD	(2.54) .100	TIN/LEAD	(1.27) .050	YES	CARRIER TAPE	-001												
	-0141-0164	R.F.M.				571	GOLD	(2.54) .100	TIN/LEAD	(1.27) .050	YES	CARRIER TAPE	-001												
H	-0176-0199	R.F.M.				574	GOLD	(2.54) .100	TIN/LEAD	(1.27) .050	YES	CARRIER TAPE	-001												

G	CKTS	EDP NUMBER	ENG NUMBER	EDP NUMBER	ENG NUMBER	EDP NUMBER	ENG NUMBER	EDP NUMBER	ENG NUMBER	EDP NUMBER	ENG NUMBER	EDP NUMBER	ENG NUMBER	EDP NUMBER	ENG NUMBER	EDP NUMBER	ENG NUMBER	EDP NUMBER	ENG NUMBER	EDP NUMBER	ENG NUMBER	EDP NUMBER	ENG NUMBER	EDP NUMBER	ENG NUMBER	CKTS
	02	15-91-3024	A-70634-0001	15-91-2025	A-70634-0036	15-91-3023	A-70634-0071	15-91-6029	A-70634-0106	15-91-7020	A-70634-0141	15-91-7021	A-70634-0176													02
	03	15-91-3034	A-70634-0002	15-91-2035	A-70634-0037	15-91-3033	A-70634-0072	15-91-6039	A-70634-0107	15-91-7030	A-70634-0142	15-91-7031	A-70634-0177													03
	04	15-91-3044	A-70634-0003	15-91-2045	A-70634-0038	15-91-3043	A-70634-0073	15-91-6049	A-70634-0108	15-91-7040	A-70634-0143	15-91-7041	A-70634-0178													04
	05	15-91-3054	A-70634-0004	15-91-2055	A-70634-0039	15-91-3053	A-70634-0074	15-91-6059	A-70634-0109	15-91-7050	A-70634-0144	15-91-7051	A-70634-0179													05
	06	15-91-3064	A-70634-0005	15-91-2065	A-70634-0040	15-91-3063	A-70634-0075	15-91-6069	A-70634-0110	15-91-7060	A-70634-0145	15-91-7061	A-70634-0180													06
	07	15-91-3074	A-70634-0006	15-91-2075	A-70634-0041	15-91-3073	A-70634-0076	15-91-6079	A-70634-0111	15-91-7070	A-70634-0146	15-91-7071	A-70634-0181													07
	08	15-91-3084	A-70634-0007	15-91-2085	A-70634-0042	15-91-3083	A-70634-0077	15-91-6089	A-70634-0112	15-91-7080	A-70634-0147	15-91-7081	A-70634-0182													08
F	09	15-91-3094	A-70634-0008	15-91-2095	A-70634-0043	15-91-3093	A-70634-0078	15-91-6099	A-70634-0113	15-91-7090	A-70634-0148	15-91-7091	A-70634-0183													09
	10	15-91-3104	A-70634-0009	15-91-2105	A-70634-0044	15-91-3103	A-70634-0079	15-91-6109	A-70634-0114	15-91-7100	A-70634-0149	15-91-7101	A-70634-0184													10
	11	15-91-3114	A-70634-0010	15-91-2115	A-70634-0045	15-91-3113	A-70634-0080	15-91-6119	A-70634-0115	15-91-7110	A-70634-0150	15-91-7111	A-70634-0185													11
	12	15-91-3124	A-70634-0011	15-91-2125	A-70634-0046	15-91-3123	A-70634-0081	15-91-6129	A-70634-0116	15-91-7120	A-70634-0151	15-91-7121	A-70634-0186													12
	13	15-91-3134	A-70634-0012	15-91-2135	A-70634-0047	15-91-3133	A-70634-0082	15-91-6139	A-70634-0117	15-91-7130	A-70634-0152	15-91-7131	A-70634-0187													13
	14	15-91-3144	A-70634-0013	15-91-2145	A-70634-0048	15-91-3143	A-70634-0083	15-91-6149	A-70634-0118	15-91-7140	A-70634-0153	15-91-7141	A-70634-0188													14
E	15	15-91-3154	A-70634-0014	15-91-2155	A-70634-0049	15-91-3153	A-70634-0084	15-91-6159	A-70634-0119	15-91-7150	A-70634-0154	15-91-7151	A-70634-0189													15
	16	15-91-3164	A-70634-0015	15-91-2165	A-70634-0050	15-91-3163	A-70634-0085	15-91-6169	A-70634-0120	15-91-7160	A-70634-0155	15-91-7161	A-70634-0190													16
	17	15-91-3174	A-70634-0016	15-91-2175	A-70634-0051	15-91-3173	A-70634-0086	15-91-6179	A-70634-0121	15-91-7170	A-70634-0156	15-91-7171	A-70634-0191													17
	18	15-91-3184	A-70634-0017	15-91-2185	A-70634-0052	15-91-3183	A-70634-0087	15-91-6189	A-70634-0122	15-91-7180	A-70634-0157	15-91-7181	A-70634-0192													18
	19	15-91-3194	A-70634-0018	15-91-2195	A-70634-0053	15-91-3193	A-70634-0088	15-91-6199	A-70634-0123	15-91-7190	A-70634-0158	15-91-7191	A-70634-0193													19
	20	15-91-3204	A-70634-0019	15-91-2205	A-70634-0054	15-91-3203	A-70634-0089	15-91-6209	A-70634-0124	15-91-7200	A-70634-0159	15-91-7201	A-70634-0194													20
D	21	15-91-3214	A-70634-0020	15-91-2215	A-70634-0055	15-91-3213	A-70634-0090	15-91-6219	A-70634-0125	15-91-7210	A-70634-0160	15-91-7211	A-70634-0195													21
	22	15-91-3224	A-70634-0021	15-91-2225	A-70634-0056	15-91-3223	A-70634-0091	15-91-6229	A-70634-0126	15-91-7220	A-70634-0161	15-91-7221	A-70634-0196													22
	23	15-91-3234	A-70634-0022	15-91-2235	A-70634-0057	15-91-3233	A-70634-0092	15-91-6239	A-70634-0127	15-91-7230	A-70634-0162	15-91-7231	A-70634-0197													23
	24	15-91-3244	A-70634-0023	15-91-2245	A-70634-0058	15-91-3243	A-70634-0093	15-91-6249	A-70634-0128	15-91-7240	A-70634-0163	15-91-7241	A-70634-0198													24
	25	15-91-3254	A-70634-0024	15-91-2255	A-70634-0059	15-91-3253	A-70634-0094	15-91-6259	A-70634-0129	15-91-7250	A-70634-0164	15-91-7251	A-70634-0199													25

**PLATING CODES**

(164) TIN-LEAD (Sn-Pb) ALLOY OVER ENTIRE PIN; THICKNESS=(3.75 MICROMETER)/75 MICROINCH MINIMUM; NICKEL (Ni) UNDERPLATE OVER ENTIRE PIN.

(571) SELECTIVE GOLD (Au) IN THE CONTACT AREA; THICKNESS=(0.37 MICROMETER)/15 MICROINCH MINIMUM; SELECTIVE TIN-LEAD (Sn-Pb) ALLOY IN THE PC TAIL AREA; THICKNESS=(1.88 MICROMETER)/75 MICROINCH MINIMUM; NICKEL (Ni) UNDERPLATE OVER ENTIRE PIN.

(574) SELECTIVE GOLD (Au) IN THE CONTACT AREA; THICKNESS=(0.75 MICROMETER)/30 MICROINCH MINIMUM; SELECTIVE TIN-LEAD (Sn-Pb) ALLOY IN THE PC TAIL AREA; THICKNESS=(1.88 MICROMETER)/75 MICROINCH MINIMUM; NICKEL (Ni) UNDERPLATE OVER ENTIRE PIN.

DIMENSIONS SHOWN (METRIC) INCH		UNLESS OTHERWISE SPECIFIED TOLERANCES: ANGULAR ± 1/2°		DRAFT WHERE APPLICABLE MUST REMAIN WITHIN DIMENSIONS		DRWG. NO. SDA-70634-****		DATE 06/02/93	
INCH		METRIC		SEE SHEET 1		SEE SHEET 1		SEE SHEET 1	
5 PLACE ± --- ---		---		SEE SHEET 1		SEE SHEET 1		SEE SHEET 1	
2 PLACE ± --- ± ---		---		SEE SHEET 1		SEE SHEET 1		SEE SHEET 1	
1 PLACE --- ± ---		---		SEE SHEET 1		SEE SHEET 1		SEE SHEET 1	
LTR.		REVISIONS		LTR.		REVISIONS		LTR.	

= 0     = 0    REVISE ONLY ON CAD SYSTEM  
 TITLE SALES ASSEMBLY SMT HEADER - RIGHT ANGLE .100 CENTERS W/P.C.B. PEGS  
 FROM MOLEX INCORPORATED U.S.A. SHEET NO. 2 DATE 06/02/93  
 PART NO. SEE CHART DRWG. NO. SDA-70634-\*\*\*\*  
 FILE NAME S70634X2.DWG    DIV. DA    SIZE C  
 THIS DRAWING CONTAINS INFORMATION THAT IS PROPRIETARY TO MOLEX INC. AND SHOULD NOT BE USED WITHOUT WRITTEN PERMISSION.