

FEATURES AND SPECIFICATIONS

Features and Benefits

- Sizes 2 to 25 circuits
- Stackable end-to-end and back-to-back
- Back polarizing ribs prevent the assembly from drifting within the interim clip when another module is removed
- Piercing crimp provides 3 high-pressure interfaces with the conductor
- Terminals preloaded into housing

Reference Information

Product Specification: PS-40556

Packaging: Tube

Tooling Information: See end of section

UL File No.: E29179

CSA File No.: LR19980

Mates With: [70004](#) single row and [70013](#) dual row interim clips

Designed In: Inches

Electrical

Voltage: 250V

Current: 2.0A (for Copper conductors)

Contact Resistance: 10mΩ max.

Dielectric Withstanding Voltage: 1500V

Insulation Resistance: 1000 MΩ min.

Mechanical

Contact Retention to Housing: 13.34N (3 lb) min.

Mating Force: 2.22N (.50 lb) max.

Unmating Force: 0.28N (.06 lb) min.

Wire Pull-Out Force: 26.69N (6 lb)

Durability: Tin/Lead—25 cycles max.

Gold—50 cycles max.

Physical

Housing: Polyester, UL 94V-0

Contact: Phosphor Bronze

Plating: See Table

Operating Temperature: -40 to +105°C



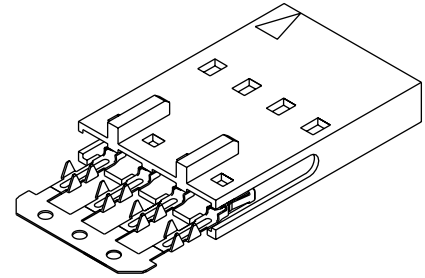
2.54mm (.100") Pitch

SL™

FFC/FPC Connector

70430

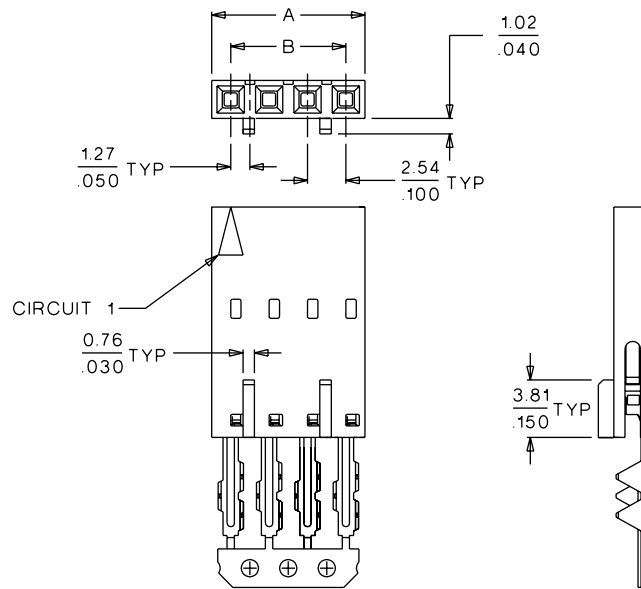
Single Row, Female Version D



FFC/FPC Connectors



CATALOG DRAWING (FOR REFERENCE ONLY)



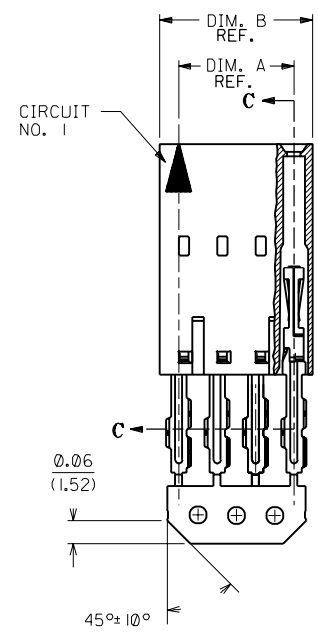
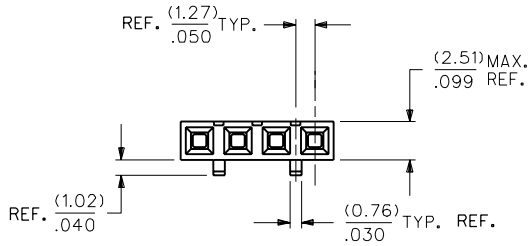
Note: The circuit 1 indicator for the 70430D will be superseded by the circuit 1 indicator of the 70004 and 70013 interim clips.

ORDERING INFORMATION AND DIMENSIONS

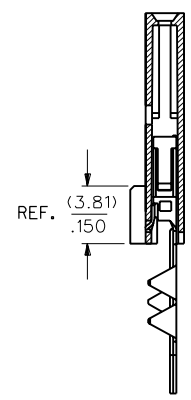
Circuits	Order No.			Dimension	
	15μ" Gold	30μ" Gold	150μ" Tin	A	B
2	15-47-4022	15-47-4026	15-38-8029	5.05 (.199)	2.54 (.100)
3	15-47-4032	15-47-4036	15-38-8039	7.59 (.299)	5.08 (.200)
4	15-47-4042	15-47-4046	15-38-8049	10.13 (.399)	7.62 (.300)
5	15-47-4052	15-47-4056	15-38-8059	12.67 (.499)	10.16 (.400)
6	15-47-4062	15-47-4066	15-38-8069	15.21 (.599)	12.70 (.500)
7	15-47-4072	15-47-4076	15-38-8079	17.75 (.699)	15.24 (.600)
8	15-47-4082	15-47-4086	15-38-8089	20.29 (.799)	17.78 (.700)
9	15-47-4092	15-47-4096	15-38-8099	22.83 (.899)	20.32 (.800)
10	15-47-4102	15-47-4106	15-38-8109	25.37 (.999)	22.86 (.900)
11	15-47-4112	15-47-4116	15-38-8119	27.91 (1.099)	25.40 (1.000)
12	15-47-4122	15-47-4126	15-38-8129	30.45 (1.199)	27.94 (1.100)
13	15-47-4132	15-47-4136	15-38-8139	32.99 (1.299)	30.48 (1.200)

Circuits	Order No.			Dimension	
	15μ" Gold	30μ" Gold	150μ" Tin	A	B
14	15-47-4142	15-47-4146	15-38-8149	35.53 (1.399)	33.02 (1.300)
15	15-47-4152	15-47-4156	15-38-8159	38.07 (1.499)	35.56 (1.400)
16	15-47-4162	15-47-4166	15-38-8169	40.61 (1.599)	38.10 (1.500)
17	15-47-4172	15-47-4176	15-38-8179	43.15 (1.699)	40.64 (1.600)
18	15-47-4182	15-47-4186	15-38-8189	45.69 (1.799)	43.18 (1.700)
19	15-47-4192	15-47-4196	15-38-8199	48.23 (1.899)	45.72 (1.800)
20	15-47-4202	15-47-4206	15-38-8209	50.77 (1.999)	48.26 (1.900)
21	15-47-4212	15-47-4216	15-38-8219	53.31 (2.099)	50.80 (2.000)
22	15-47-4222	15-47-4226	15-38-8229	55.85 (2.199)	53.34 (2.100)
23	15-47-4232	15-47-4236	15-38-8239	58.39 (2.299)	55.88 (2.200)
24	15-47-4242	15-47-4246	15-38-8249	60.93 (2.399)	58.42 (2.300)
25	15-47-4252	15-47-4256	15-38-8259	63.47 (2.499)	60.96 (2.400)

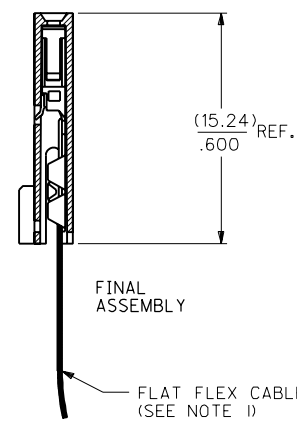
"D" - OPTION



SECTION C-C



PRE-LOAD ASSEMBLY



FINAL ASSEMBLY

FLAT FLEX CABLE (F.F.C.)
(SEE NOTE 1)

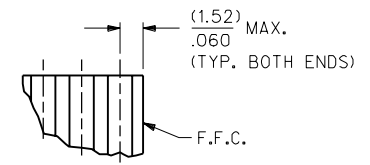
HOUSING MATERIAL : G.F. POLYESTER, 94V-0
TERMINAL MATERIAL : PHOSPHOR BRONZE

PLATING PER E.S. -88-***
574 - .000030 MIN. GOLD PLATE IN SELECT AREA,
.000075 MIN. TIN/LEAD PLATE IN SELECT AREA,
.000050 MIN. NICKEL PLATE OVERALL.

NOTES:

- 1) PRE LOADED ASSEMBLY TO BE USED WITH (0.30)/.012 MAX. THICK FLAT FLEX CABLE WITH (1.57)/.062 WIDE COPPER CONDUCTORS ON (2.54)/.100 CENTERS OR, (0.13)/.005 - (0.28)/.011 THICK MYLAR WITH (1.02)/.040 - (1.65)/.065 WIDE SILVER INK CONDUCTORS ON (2.54)/.100 CENTERS.
- 2) STANDARD PACKING PER PK70873-0001 SHALL BE USED.
- 3) SEE CHART FOR CIRCUIT SIZES, "A" AND "B" DIMENSIONS.
- 4) TWO (2) CIRCUIT ASSEMBLIES SUPPLIED AS GROUPED PAIRS.
- 5) PARTS STACKABLE SIDE TO SIDE ON (2.54)/.100 CENTERS.
- 6) PART MATES WITH (0.64)/.025 SQ. PINS, (8.13)/.320 TO (5.08)/.200 LONG ON (2.54)/.100 CENTERS.
- 7) SEE DETAIL I FOR MAXIMUM END DIMENSION OF F.F. CABLE. (RECOMMENDED WHEN USED WITH INTERIM CLIPS)

PLATING PER ESS-88:	COLOR CODE
164	NONE
571	YELLOW
574	RED



DETAIL - I
(SEE NOTE 7)

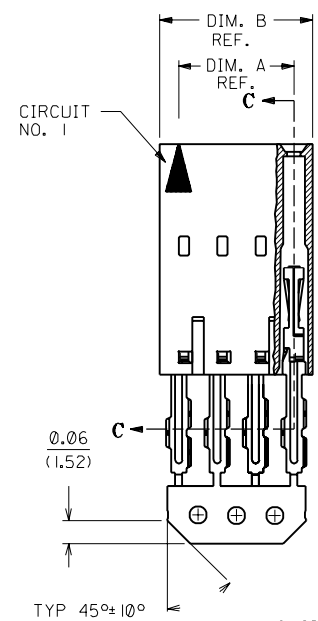
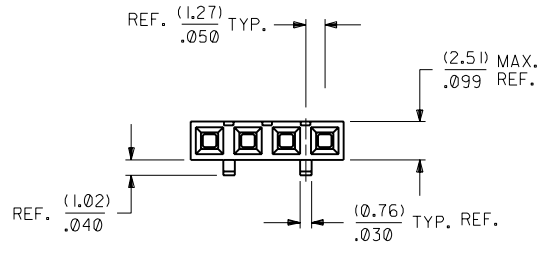
CKT. SIZE	EDP. NO.	ENG. NO.	70430	
			A	B
2	015-47-4026	70430-0421	(2.54) .100	(5.05) .199
3	015-47-4036	70430-0422	(5.08) .200	(7.59) .299
4	015-47-4046	70430-0423	(7.62) .300	(10.13) .399
5	015-47-4056	70430-0424	(10.16) .400	(12.67) .499
6	015-47-4066	70430-0425	(12.70) .500	(15.21) .599
7	015-47-4076	70430-0426	(15.24) .600	(17.75) .699
8	015-47-4086	70430-0427	(17.78) .700	(20.29) .799
9	015-47-4096	70430-0428	(20.32) .800	(22.83) .899
10	015-47-4106	70430-0429	(22.86) .900	(25.37) .999
11	015-47-4116	70430-0430	(25.40) 1.000	(27.91) 1.099
12	015-47-4126	70430-0431	(27.94) 1.100	(30.45) 1.199
13	015-47-4136	70430-0432	(30.48) 1.200	(32.99) 1.299
14	015-47-4146	70430-0433	(33.02) 1.300	(35.53) 1.399
15	015-47-4156	70430-0434	(35.56) 1.400	(38.07) 1.499
16	015-47-4166	70430-0435	(38.10) 1.500	(40.61) 1.599
17	015-47-4176	70430-0436	(40.64) 1.600	(43.15) 1.699
18	015-47-4186	70430-0437	(43.18) 1.700	(45.69) 1.799
19	015-47-4196	70430-0438	(45.72) 1.800	(48.23) 1.899
20	015-47-4206	70430-0439	(48.26) 1.900	(50.77) 1.999
21	015-47-4216	70430-0440	(50.80) 2.000	(53.31) 2.099
22	015-47-4226	70430-0441	(53.34) 2.100	(55.85) 2.199
23	015-47-4236	70430-0442	(55.88) 2.200	(58.39) 2.299
24	015-47-4246	70430-0443	(58.42) 2.300	(60.93) 2.399
25	015-47-4256	70430-0444	(60.96) 2.400	(63.47) 2.499

DIMENSIONS SHOWN (METRIC) INCH UNLESS OTHERWISE SPECIFIED TOLERANCES: ANGULAR ± 1/2°		MFG. SH. REV.	
B2	REVISED PER ECR #L140643 05-20-94 WGM	REVISE ONLY ON CAD SYSTEM	
B1	ADDED EDP NUMBERS PER ECR NO U20028 01-09-92 BJS	TITLE ASSEMBLY, CONNECTOR F.F.C. FEMALE SINGLE ROW (2.54)/.100 GRID	
B3	ADD CARRIER CHAMF ECN #UDT1998-0280 05/20/98 LMCGRATH	MOLEX INCORPORATED L15LE,ILL. 60532 SHEET NO. 1 DATE 7/21/86	
B	REDRAWN ON CAD PER ECR #9479 9/15/86 RAS/MJM	PART NO. SDA-70430-0421-0444 DRWG. NO.	
LTR.	REVISIONS	LTR.	REVISIONS
DRWG. BY RAS CHK'D BY MJM APP'D BY WAZ SCALE 4:1		FILE NAME 704300421.DGN THIS DRAWING CONTAINS INFORMATION THAT IS PROPRIETARY TO MOLEX INC. AND SHOULD NOT BE USED WITHOUT WRITTEN PERMISSION.	

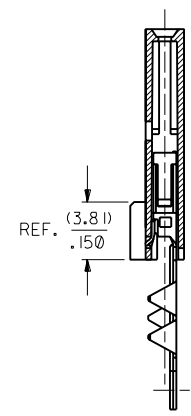
"D" - OPTION

NOTES:

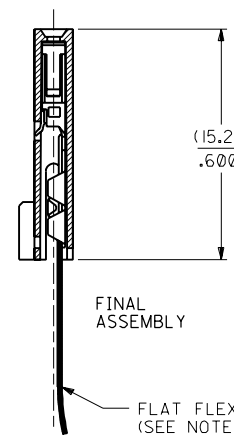
- 1) PRE LOADED ASSEMBLY TO BE USED WITH (0.30)/.012 MAX. THICK FLAT FLEX CABLE WITH (1.57)/.062 WIDE COPPER CONDUCTORS ON (2.54)/.100 CENTERS OR, (0.13)/.005 - (0.28)/.011 THICK MYLAR WITH (1.02)/.040 - (1.65)/.065 WIDE SILVER INK CONDUCTORS ON (2.54)/.100 CENTERS.
- 2) STANDARD PACKING PER PK70873-0001 SHALL BE USED.
- 3) SEE CHART FOR CIRCUIT SIZES, "A" AND "B" DIMENSIONS.
- 4) TWO (2) CIRCUIT ASSEMBLIES SUPPLIED AS GROUPED PAIRS.
- 5) PART MATES WITH (0.64)/.025 SQ. PINS, (8.13)/.320 TO (5.08)/.200 LONG ON (2.54)/.100 CENTERS.
- 6) SEE DETAIL 1 FOR MAXIMUM END DIMENSION OF F.F. CABLE. (RECOMMENDED WHEN USED WITH INTERIM CLIPS)
- 7) PARTS STACKABLE SIDE TO SIDE ON (2.54)/.100 CENTERS.



SECTION C-C



PRE-LOAD ASSEMBLY



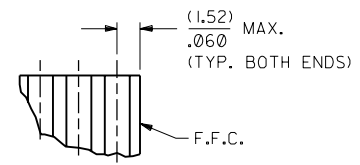
FINAL ASSEMBLY

FLAT FLEX CABLE (F.F.C.) (SEE NOTE 1)

HOUSING MATERIAL : G.F. POLYESTER, 94V-0
CONTACT MATERIAL : PHOSPHOR BRONZE

PLATING PER E.S.-88-***
571 - .000015 MIN. GOLD PLATE IN SELECT AREA,
.000075 MIN. TIN/LEAD PLATE IN SELECT AREA,
.000050 MIN. NICKEL PLATE OVERALL.

PLATING PER ES-88:	COLOR CODE
164	NONE
571	YELLOW
574	RED



DETAIL - 1
(SEE NOTE 7)

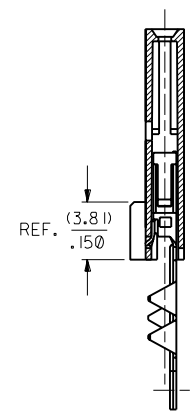
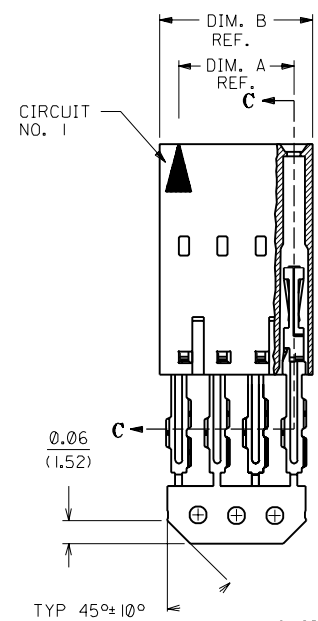
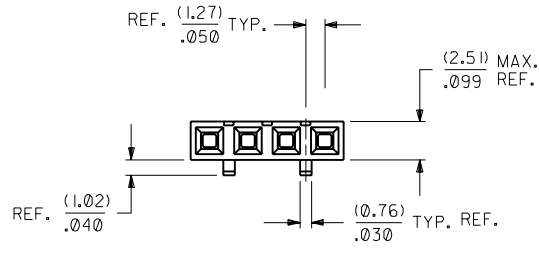
CKT. SIZE	EDP. NO.	ENG. NO.	70430	
			A	B
2	015-47-4022	70430-0246	(2.54) / .100	(5.05) / .199
3	015-47-4032	70430-0247	(5.08) / .200	(7.59) / .299
4	015-47-4042	70430-0248	(7.62) / .300	(10.13) / .399
5	015-47-4052	70430-0249	(10.16) / .400	(12.67) / .499
6	015-47-4062	70430-0250	(12.70) / .500	(15.21) / .599
7	015-47-4072	70430-0251	(15.24) / .600	(17.75) / .699
8	015-47-4082	70430-0252	(17.78) / .700	(20.29) / .799
9	015-47-4092	70430-0253	(20.32) / .800	(22.83) / .899
10	015-47-4102	70430-0254	(22.86) / .900	(25.37) / .999
11	015-47-4112	70430-0255	(25.40) / 1.000	(27.91) / 1.099
12	015-47-4122	70430-0256	(27.94) / 1.100	(30.45) / 1.199
13	015-47-4132	70430-0257	(30.48) / 1.200	(32.99) / 1.299
14	015-47-4142	70430-0258	(33.02) / 1.300	(35.53) / 1.399
15	015-47-4152	70430-0259	(35.56) / 1.400	(38.07) / 1.499
16	015-47-4162	70430-0260	(38.10) / 1.500	(40.61) / 1.599
17	015-47-4172	70430-0261	(40.64) / 1.600	(43.15) / 1.699
18	015-47-4182	70430-0262	(43.18) / 1.700	(45.69) / 1.799
19	015-47-4192	70430-0263	(45.72) / 1.800	(48.23) / 1.899
20	015-47-4202	70430-0264	(48.26) / 1.900	(50.77) / 1.999
21	015-47-4212	70430-0265	(50.80) / 2.000	(53.31) / 2.099
22	015-47-4222	70430-0266	(53.34) / 2.100	(55.85) / 2.199
23	015-47-4232	70430-0267	(55.88) / 2.200	(58.39) / 2.299
24	015-47-4242	70430-0268	(58.42) / 2.300	(60.93) / 2.399
25	015-47-4252	70430-0269	(60.96) / 2.400	(63.47) / 2.499

LTR.	REVISIONS	LTR.	REVISIONS
B2	REVISED PER ECR #U40643 05-20-94 WGM	B1	ADDED EDP NUMBERS PER ECR NO U20028 01-09-92 BJS
B3	ADD CARRIER CHAMF ECN #UDT1998-0280 05/20/98 LMCGRATH	B	REDRAWN ON CAD PER ECR #9479 9/15/86 RAS/MJM

DIMENSIONS SHOWN (METRIC) INCH	
3 PLACE ±	INCH METRIC
2 PLACE ±	±
1 PLACE ±	±

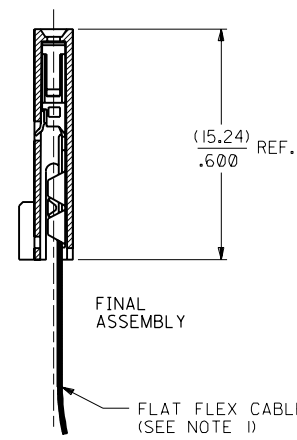
TITLE: ASSEMBLY, CONNECTOR F.F.C. FEMALE SINGLE ROW (2.54)/.100 GRID
 MFG. SH. REV. 7/21/86
 MOLEX INCORPORATED
 PART NO. SDA-70430-0246-0269
 FILE NAME: 704300246.DWG
 THIS DRAWING CONTAINS INFORMATION THAT IS PROPRIETARY TO MOLEX INC. AND SHOULD NOT BE USED WITHOUT WRITTEN PERMISSION.

"D" - OPTION



PRE-LOAD ASSEMBLY

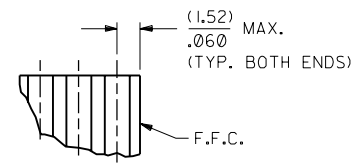
SECTION C-C



- NOTES:
- 1) PRE LOADED ASSEMBLY TO BE USED WITH (0.30)/.012 MAX. THICK FLAT FLEX CABLE WITH (1.57)/.062 WIDE COPPER CONDUCTORS ON (2.54)/.100 CENTERS OR, (0.13)/.005 - (0.28)/.011 THICK MYLAR WITH (1.02)/.040 - (1.65)/.065 WIDE SILVER INK CONDUCTORS ON (2.54)/.100 CENTERS.
 - 2) STANDARD PACKING PER PK70873-0001 SHALL BE USED.
 - 3) SEE CHART FOR CIRCUIT SIZES, "A" AND "B" DIMENSIONS.
 - 4) TWO (2) CIRCUIT ASSEMBLIES SUPPLIED AS GROUPED PAIRS.
 - 5) PART MATES WITH (0.64)/.025 SQ. PINS, (8.13)/.320 TO (5.08)/.200 LONG ON (2.54)/.100 CENTERS.
 - 6) SEE DETAIL I FOR MAXIMUM END DIMENSION OF F.F. CABLE. (RECOMMENDED WHEN USED WITH INTERIM CLIPS)
 - 7) PARTS STACKABLE SIDE TO SIDE ON (2.54)/.100 CENTERS.

HOUSING MATERIAL : G.F. POLYESTER, 94V-0
 CONTACT MATERIAL : PHOSPHOR BRONZE
 PLATING PER E.S. -88-***
 164 - .000150 MIN. TIN/LEAD OVER
 .000050 MIN. NICKEL PLATE.

PLATING PER ES-88:	COLOR CODE
164	NONE
571	YELLOW
574	RED



DETAIL - I
(SEE NOTE 7)

CKT. SIZE	EDP. NO.	ENG. NO.	70430	
			A	B
2	015-38-8029	70430-0071	(2.54) / .100	(5.05) / .199
3	015-38-8039	70430-0072	(5.08) / .200	(7.59) / .299
4	015-38-8049	70430-0073	(7.62) / .300	(10.13) / .399
5	015-38-8059	70430-0074	(10.16) / .400	(12.67) / .499
6	015-38-8069	70430-0075	(12.70) / .500	(15.21) / .599
7	015-38-8079	70430-0076	(15.24) / .600	(17.75) / .699
8	015-38-8089	70430-0077	(17.78) / .700	(20.29) / .799
9	015-38-8099	70430-0078	(20.32) / .800	(22.83) / .899
10	015-38-8109	70430-0079	(22.86) / .900	(25.37) / .999
11	015-38-8119	70430-0080	(25.40) / 1.000	(27.91) / 1.099
12	015-38-8129	70430-0081	(27.94) / 1.100	(30.45) / 1.199
13	015-38-8139	70430-0082	(30.48) / 1.200	(32.99) / 1.299
14	015-38-8149	70430-0083	(33.02) / 1.300	(35.53) / 1.399
15	015-38-8159	70430-0084	(35.56) / 1.400	(38.07) / 1.499
16	015-38-8169	70430-0085	(38.10) / 1.500	(40.61) / 1.599
17	015-38-8179	70430-0086	(40.64) / 1.600	(43.15) / 1.699
18	015-38-8189	70430-0087	(43.18) / 1.700	(45.69) / 1.799
19	015-38-8199	70430-0088	(45.72) / 1.800	(48.23) / 1.899
20	015-38-8209	70430-0089	(48.26) / 1.900	(50.77) / 1.999
21	015-38-8219	70430-0090	(50.80) / 2.000	(53.31) / 2.099
22	015-38-8229	70430-0091	(53.34) / 2.100	(55.85) / 2.199
23	015-38-8239	70430-0092	(55.88) / 2.200	(58.39) / 2.299
24	015-38-8249	70430-0093	(58.42) / 2.300	(60.93) / 2.399
25	015-38-8259	70430-0094	(60.96) / 2.400	(63.47) / 2.499

REVISED PER ECR #U40643 05/20/94 WGM DIMENSIONS SHOWN (METRIC) INCH UNLESS OTHERWISE SPECIFIED TOLERANCES: ANGULAR ± 1/2°		DIMENSIONS SHOWN (METRIC) INCH UNLESS OTHERWISE SPECIFIED TOLERANCES: ANGULAR ± 1/2°		MFG. SH. REV.	
B2	ADD CARRIER CHAMF ECN #UDT1998-0280 05/20/98 LMCGRATH	B1	ADDED EDP NUMBERS PER ECR NO U20028 01-09-92 BJS	REVISE ONLY ON CAD SYSTEM TITLE: ASSEMBLY, CONNECTOR F.F.C. FEMALE SINGLE ROW (2.54)/.100 GRID	
B3	REDRWAN ON CAD PER ECR #9479 9/15/86 RAS/MJM	B	REDRWAN ON CAD PER ECR #9479 9/15/86 RAS/MJM	MOLEX INCORPORATED SHEET NO. 1 DATE 7/21/86 PART NO. SDA-70430-0071-0094	
LTR. REVISIONS	LTR. REVISIONS	DRAFT WHERE APPLICABLE MUST REMAIN WITHIN DIMENSIONS		FILE NAME: 704300071.DWG DIV. SIZE: DA 1 C	
		DRWG. NO. 70430-0071-0094 SCALE: 4:1		THIS DRAWING CONTAINS INFORMATION THAT IS PROPRIETARY TO MOLEX INC. AND SHOULD NOT BE USED WITHOUT WRITTEN PERMISSION.	