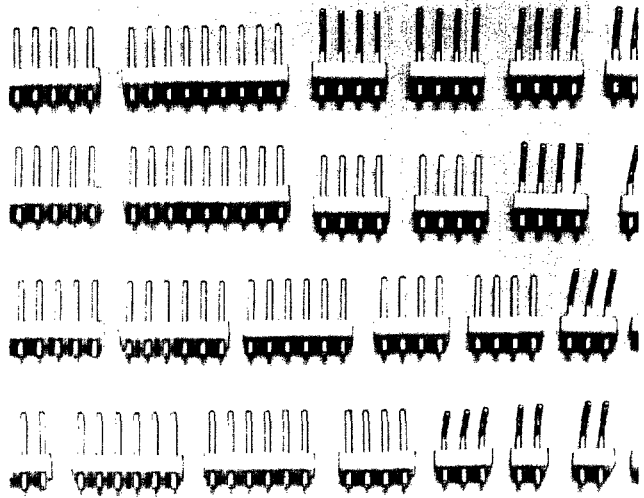
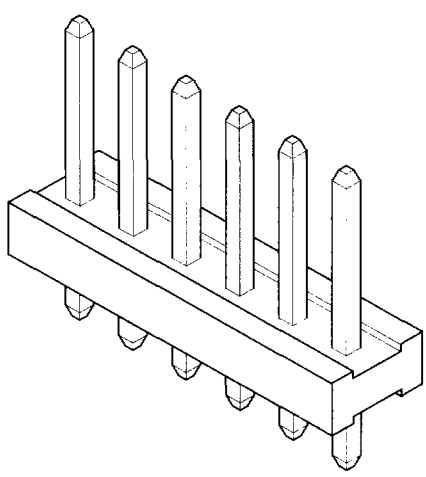


VS HEADER

Headers



This header can mate with a receptacle or as a connector for the direct interconnection of printed circuit boards.



Specifications

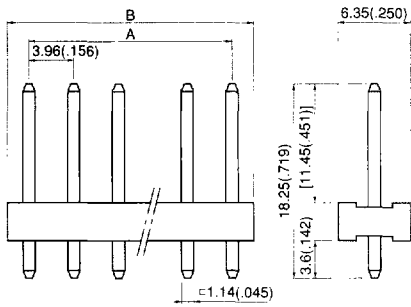
- Post: Brass, copper-undercoated, tin/lead-plated
- Wafer: Nylon 66, UL94V-0, natural (white)
- Pitch: 3.96mm(.156")
- Number of circuits: 2 to 15 circuits
- * Contact JST for details.

Standards

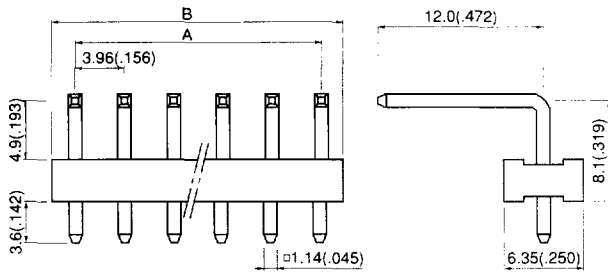
- Recognized file No. E60389
- Certified file No. LR20812

Header

Top entry type

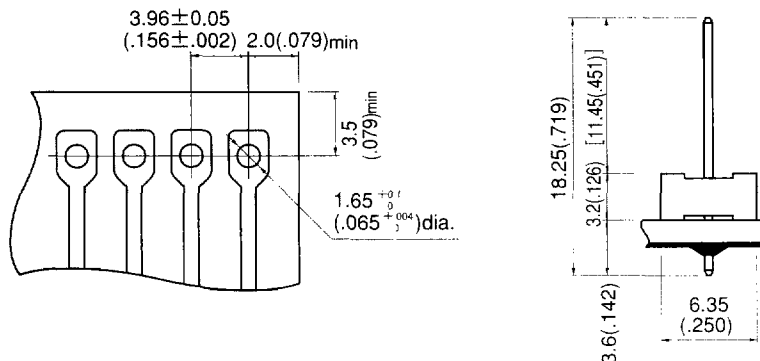


Side entry type



Cir- cuits	Model No.		Dimensions mm(in.)		Q'ty / box	
	Top entry type	Side entry type	A	B	Top entry type	Side entry type
2	B 2P-VS	B 2PS-VS	3.96(.156)	7.86(.309)	1,000	1,000
3	B 3P-VS	B 3PS-VS	7.92(.312)	11.82(.465)	500	500
4	B 4P-VS	B 4PS-VS	11.88(.468)	15.78(.621)	500	500
5	B 5P-VS	B 5PS-VS	15.84(.624)	19.74(.777)	500	250
6	B 6P-VS	B 6PS-VS	19.80(.780)	23.70(.933)	250	250
7	B 7P-VS	B 7PS-VS	23.76(.935)	27.66(1.089)	250	250
8	B 8P-VS	B 8PS-VS	27.72(1.091)	31.62(1.245)	250	100
9	B 9P-VS	B 9PS-VS	31.68(1.247)	35.58(1.401)	200	100
10	B10P-VS	B10PS-VS	35.64(1.403)	39.54(1.557)	200	100
11	B11P-VS	B11PS-VS	39.60(1.559)	43.50(1.713)	100	100
12	B12P-VS	B12PS-VS	43.56(1.715)	47.46(1.869)	100	100
13	B13P-VS	B13PS-VS	47.52(1.871)	51.42(2.024)	100	100
14	B14P-VS	B14PS-VS	51.48(2.027)	55.38(2.180)	100	100
15	B15P-VS	B15PS-VS	55.44(2.183)	59.34(2.336)	100	100

PC board layout (viewed from soldering side) and Assembly layout



Note:

1. Tolerances are non-cumulative: $\pm 0.05\text{mm} (\pm .002")$ for all centers.
2. Hole dimensions differ according to the kind of PC board and piercing method. The dimensions above should serve as a guideline. Contact JST for details.