

Performance and Material Specifications

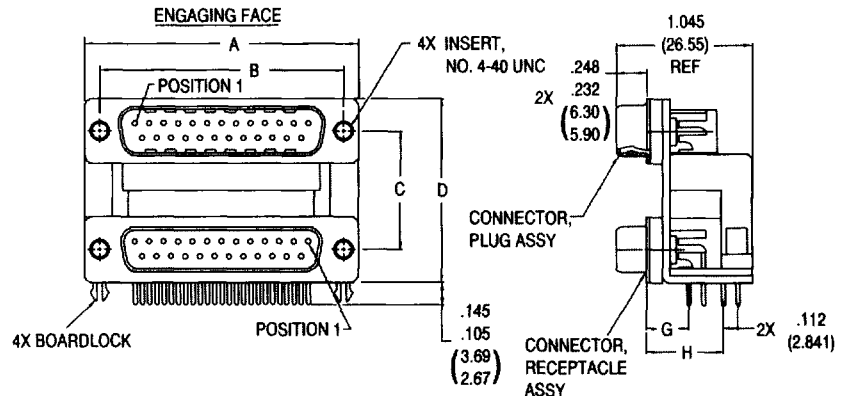
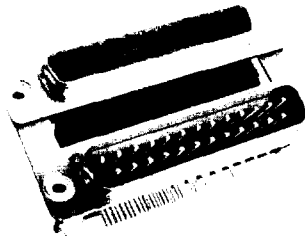
ELECTRICAL

Current Rating:	5 amp - Size 20 2 amp - Size 22
Dielectric Withstanding Voltage:	1000 V AC min (for one min)
Insulation Resistance:	5000 megohm min (at 500V DC)
Contact Resistance:	Stacked D, 25 milliohm max. mated Standard D, 15 milliohm max. mated
Working Temperature:	55°C to +105°C

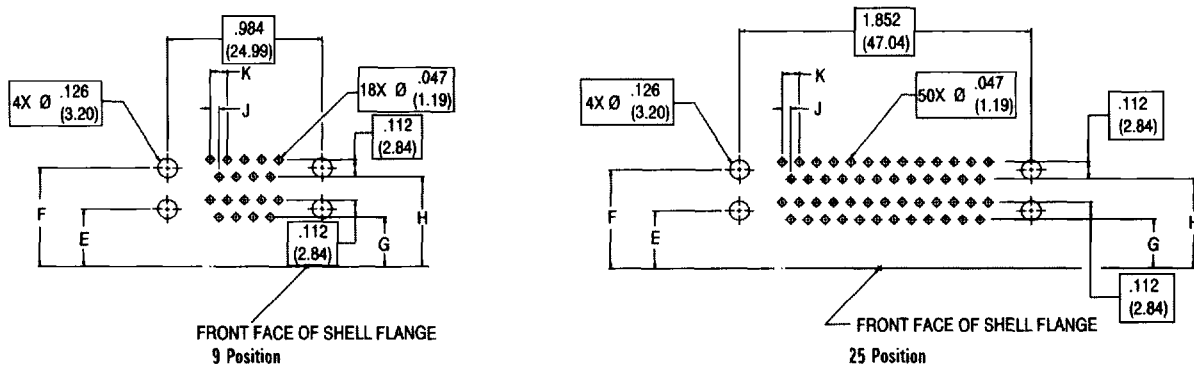
MECHANICAL

Insulator Material:	P.B.T. and glass fiber reinforced (UL 94V-0)
Contact Material/Finish:	Pin-Brass, Socket-Phosphor Bronze Gold Over Nickel
Shell Material/Finish:	Steel, tin plated

Dimensions



Recommended Drill Hole Pattern

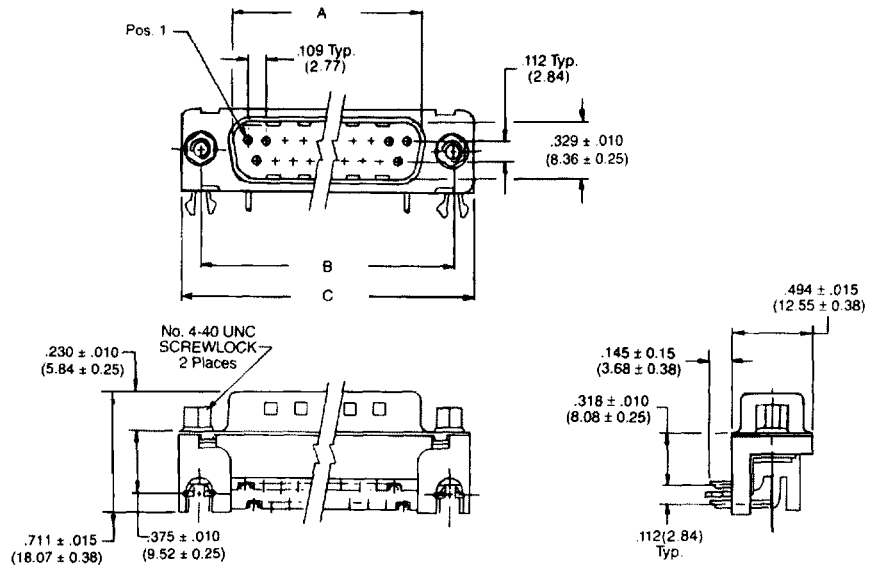
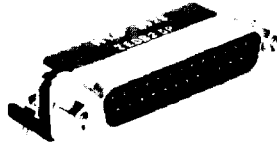


No. of Contacts (Shell Size)	Gender	Part Number	A	B	C	D	E	F	G	H	J	K
18 (E)	Pin/Pin	ZEDE9PP	1.231	.989	.760	1.259	.384	.650	.328	.590		
18 (E)	Pin/Socket	ZEDE9PS	1.201	.979	.740	1.229	.364	.630	.308	.570	.054 (1.37)	.108 (2.74)
18 (E)	Socket/Pin	ZEDE9SP	(31.27)	(25.12)	(19.30)	(31.98)	(9.75)	(16.51)	(8.33)	(14.98)		
18 (E)	Socket/Socket	ZEDE9SS	(30.51)	(24.86)	(18.80)	(31.22)	(9.25)	(16.01)	(7.83)	(14.48)		
50 (B)	Pin/Pin	ZEDB25PP	2.105	1.857	.760	1.259	.384	.650	.328	.590		
50 (B)	Pin/Socket	ZEDB25PS	2.075	1.847	.740	1.229	.364	.630	.308	.570	.055 (1.40)	.109 (2.77)
50 (B)	Socket/Pin	ZEDB25SP	(53.47)	(47.17)	(19.30)	(31.98)	(9.75)	(16.51)	(8.33)	(14.98)		
50 (B)	Socket/Socket	ZEDB25SS	(52.71)	(46.91)	(18.80)	(31.22)	(9.25)	(16.01)	(7.83)	(14.48)		

Highlighted part numbers indicate standard product; usually available with shorter lead times.

Economy, Industry Standard, .318" Footprint (Size 20 Contacts)

Plug Assembly
Tin Plated Shell

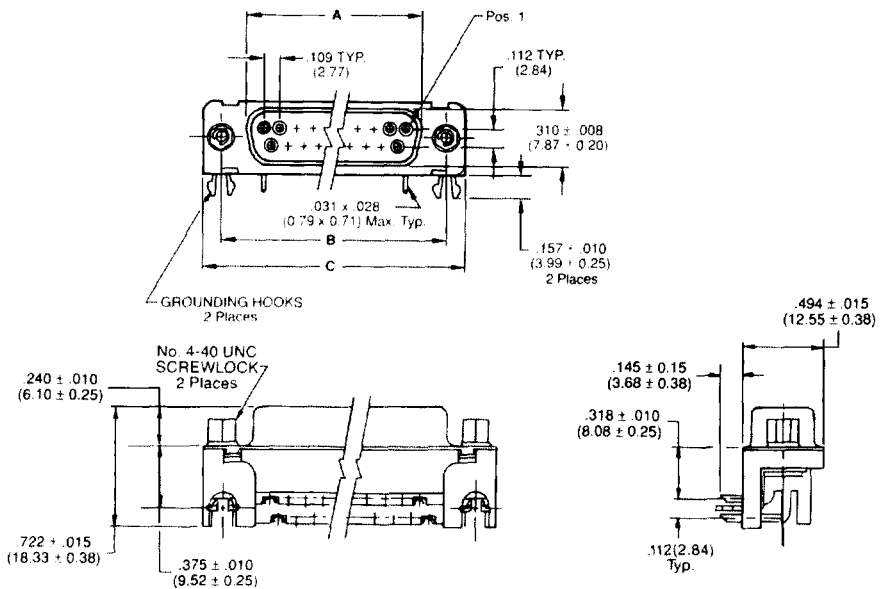


PCB Hole Pattern – Pages 14-15

Performance Specifications – Page 2

No. of Contacts (Shell Size)	Gold Over Nickel		30/μ Gold Over Nickel		A ± .010 (0.25)	B ± .005 (0.13)	C ± .015 (0.38)
	Screwlocks	Threaded Inserts	Screwlocks	Threaded Inserts			
9 (E)	ZEDE9PBA	ZEDL9PBA	ZEDE9PBA-30	ZEDL9PBA-30	666 (16.92)	.984 (24.99)	1.216 (30.89)
15 (A)	ZEDA15PBA	ZEDAL15PBA	ZEDA15PBA-30	ZEDAL15PBA-30	994 (25.25)	1.312 (33.32)	1.539 (39.09)
25 (B)	ZEDB25PBA	ZEDBL25PBA	ZEDB25PBA-30	ZEDBL25PBA-30	1.534 (38.96)	1.852 (47.04)	2.090 (53.09)
37 (C)	ZEDC37PBA	ZEDCL37PBA	ZEDC37PBA-30	ZEDCL37PBA-30	2.182 (55.42)	2.500 (63.50)	2.732 (69.04)

Receptacle Assembly
Tin Plated Shell



PCB Hole Pattern – Pages 14-15

Performance Specifications – Page 2

No. of Contacts (Shell Size)	Gold Over Nickel		30/μ Gold Over Nickel		A ± .010 (0.25)	B ± .005 (0.13)	C ± .015 (0.38)
	Screwlocks	Threaded Inserts	Screwlocks	Threaded Inserts			
9 (E)	ZEDE9SBA	ZEDL9SBA	ZEDE9SBA-30	ZEDL9SBA-30	641 (16.28)	.984 (24.99)	1.216 (30.89)
15 (A)	ZEDA15SBA	ZEDAL15SBA	ZEDA15SBA-30	ZEDAL15SBA-30	971 (24.66)	1.312 (33.32)	1.539 (39.09)
25 (B)	ZEDB25SBA	ZEDBL25SBA	ZEDB25SBA-30	ZEDBL25SBA-30	1.511 (38.38)	1.852 (47.04)	2.090 (53.09)
37 (C)	ZEDC37SBA	ZEDCL37SBA	ZEDC37SBA-30	ZEDCL37SBA-30	2.159 (54.84)	2.500 (63.50)	2.732 (69.04)

Highlighted part numbers indicate standard product; usually available with shorter lead times.

Part Number D112041 to order female screwlocks separately.