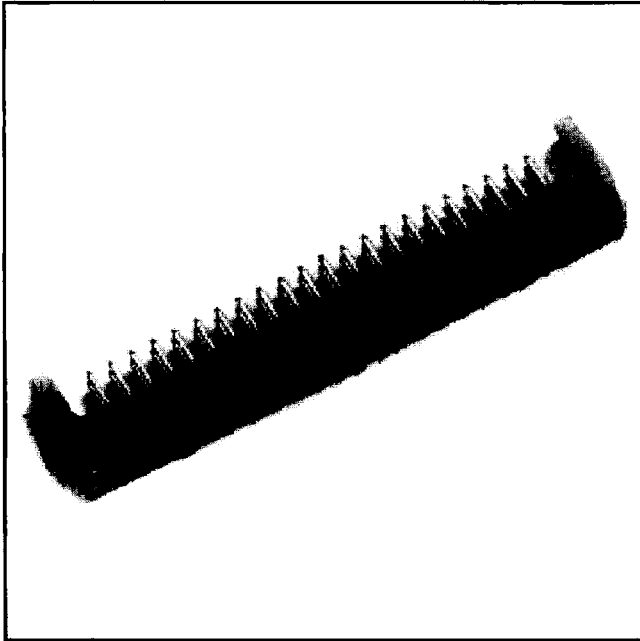


# .100" × .075" Compact Header

Right Angle

502 Series



- Low profile
- Consumes less vertical space
- Economy in system layouts
- Uses standard .1" × .1" pc board hole pattern
- No change in current design
- Retro-fit with no print changes
- Mates with wiremont socket on page 108

Date Issued: February 19, 1999

TS-0300-13  
Sheet 1 of 2

72

---

## Physical

### Insulation

Material: Glass Filled Polyester (PBT)  
Flammability: UL 94V-0  
Color: Gray  
Marking: 3M Logo, Part Identification and Orientation Triangle

### Contact

Material: Copper Alloy  
Plating  
Underplate: 80 μ" [ 2.03 μm ] Nickel — QQ-N-290A, Class 2  
Wiping Area: 12 μ" [ 0.30 μm ] Gold — MIL-G-45204, Type II, Grade C  
Solder Tails: 200 μ" [ 5.08 μm ] 85/15 Tin Lead — MIL-P-81728

---

## Electrical

Current Rating: 1 A  
Insulation Resistance:  $>1 \times 10^9 \Omega$  at 500 Vdc  
Withstanding Voltage: 1000 Vrms at Sea Level

---

## Environmental

Temperature Rating: -40°C to +85°C

UL File No.: E68080

---

### 3M Electronic Products Division

6801 River Place Blvd.  
Austin, TX 78726-9000

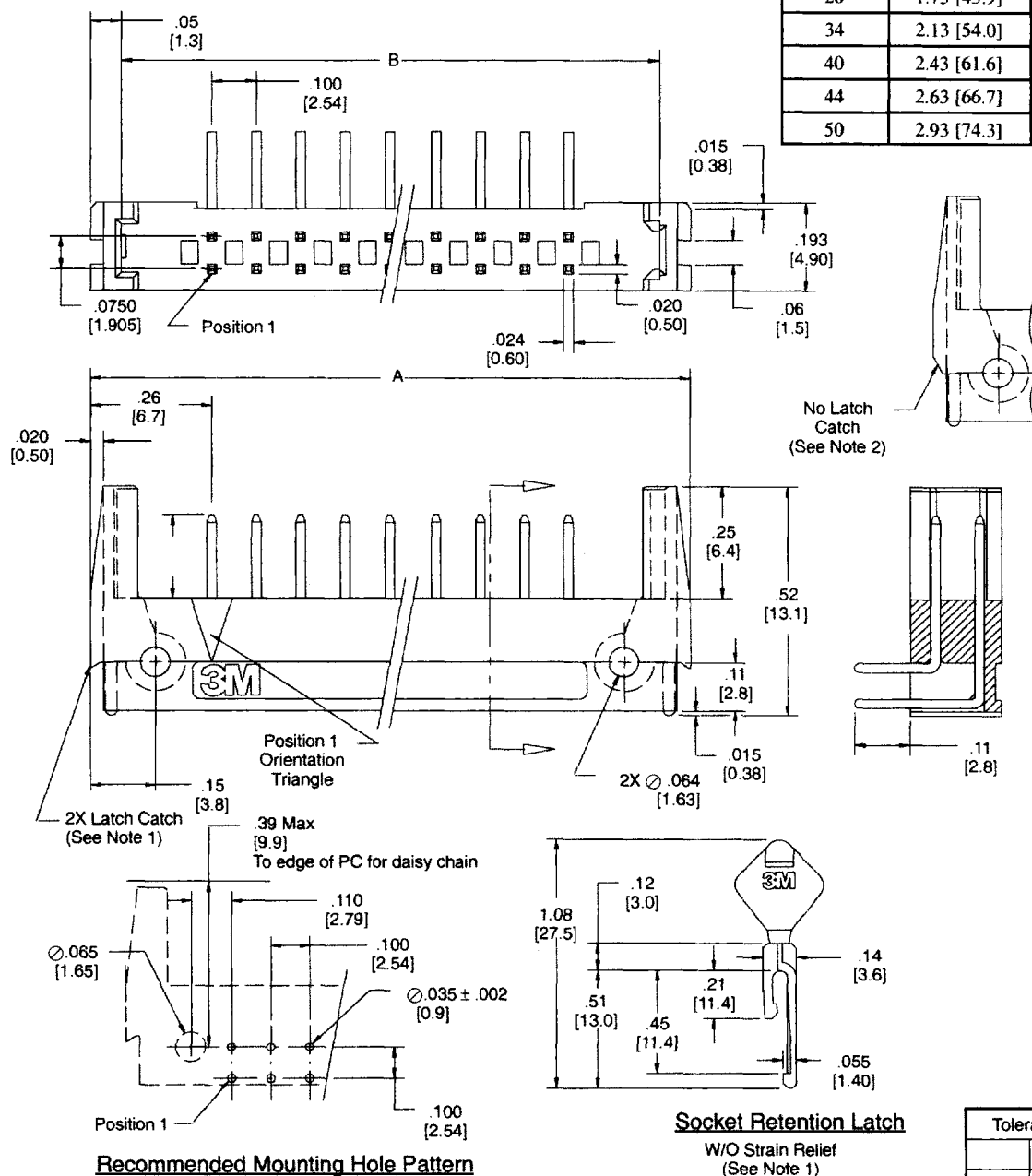
For technical, sales or ordering information call  
800-225-5373

# .100" × .075" Compact Header Right Angle

502 Series



Pin Quantity	Dimension	
	A	B
16	1.23 [31.2]	1.13 [28.6]
20	1.41 [36.2]	1.31 [33.6]
26	1.73 [43.9]	1.63 [41.3]
34	2.13 [54.0]	2.02 [51.4]
40	2.43 [61.6]	2.32 [59.0]
44	2.63 [66.7]	2.52 [64.1]
50	2.93 [74.3]	2.82 [71.7]



- Notes:
1. Socket retention latch operational on 16, 20 and 50 pin Headers only.
  2. No retention latch on positions 26, 34, 40 and 44 Pin Headers.

Inch [mm]			
Tolerance Unless Noted			
	.0	.00	.000
Inch	± .1	± .01	± .005

[ ] Dimensions for Reference only

## Ordering Information

502XX-B002

Pin Quantity:  
See Table

Socket Retention Latch  
(Order Separately)  
3785-2

TS-0300-13  
Sheet 2 of 2