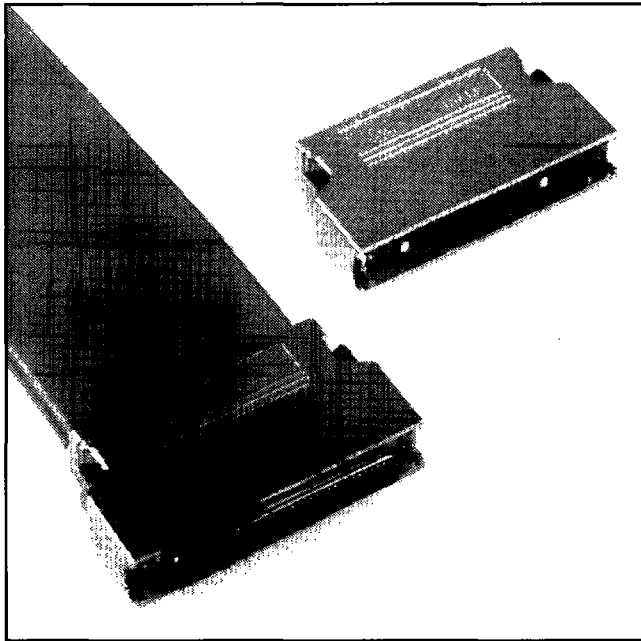


# Mini D Ribbon Connectors

Metal Junction Shell for Flat Cable

10368-A230-00



- 68 position
- 180 degree flat cable exit
- Use with 3M pleated foil cable for critical I/O controlled impedance applications
- Kit accessories include conductive elastomer for effective shield continuation
- Excellent EMI/ESD protection
- Reliable latching mechanism

TS-0355-03  
Sheet 1 of 2

166

## Physical

**Material:** Aluminum, .050" Thick

**Plating:** Nickel

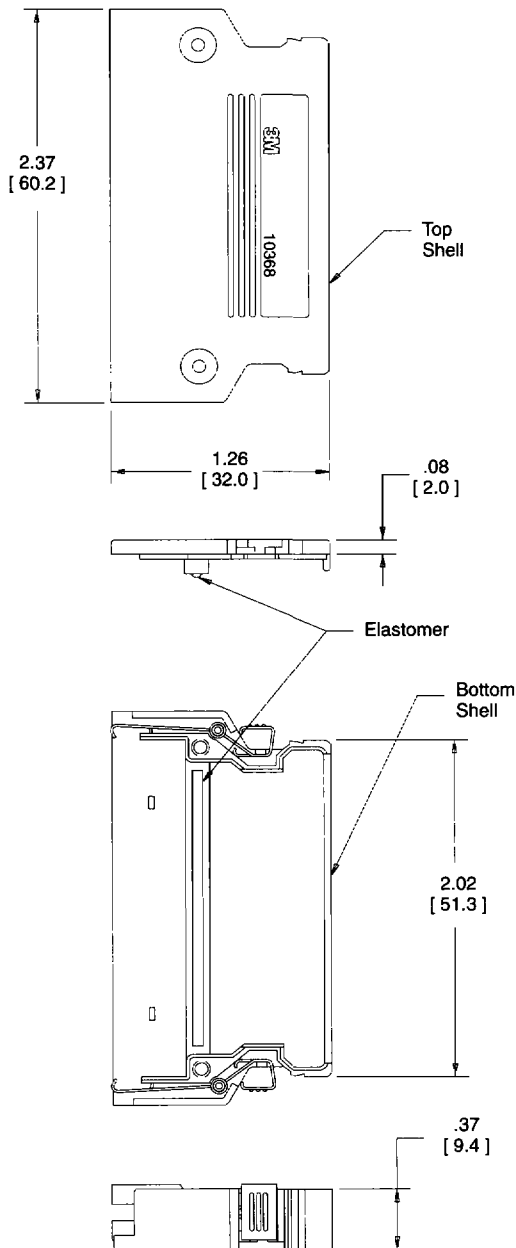
**Gasket:** Silicone Elastomer, Silver plated Aluminum, Conductive

**Marking:** 3M Logo and Part Identification Number

# Mini D Ribbon Connectors

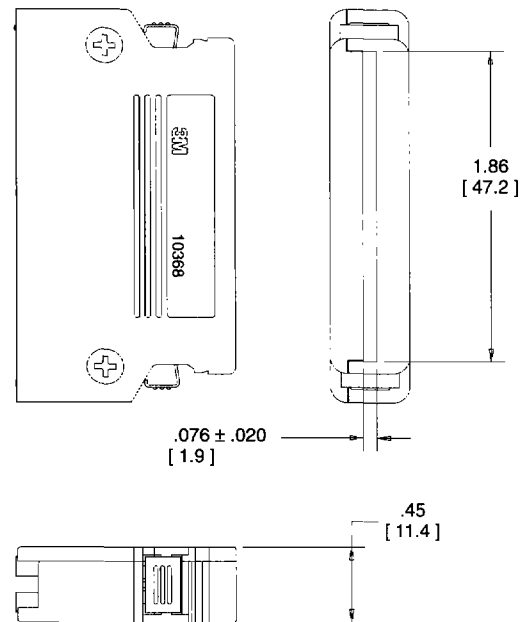
## Metal Junction Shell for Flat Cable

10368-A230-00

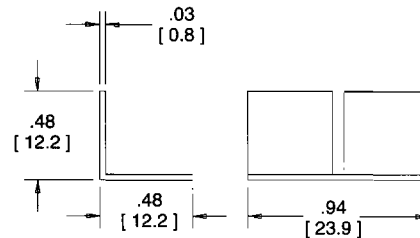


### Package Contents:

- 2 ea — M2.5 flat head screws
- 2 ea — Metal shell halves
- 2 ea — Metal latches
- 2 ea — Silicone elastomer (conductive)
- 2 ea — Clips



Assembled Junction Shell



Clip

Inch  
[mm]

Tolerance Unless Noted			
	.0	.00	.000
Inch	± .1	± .01	± .005

[ ] Dimensions for Reference only

Note: Accepts 3M part number 10168-6000 Connector and 90101/68 Pleated Foil Cable

## Ordering Information

10368-A230-00

TS-0355-03  
Sheet 2 of 2

### 3M Electronic Products Division

6801 River Place Blvd.  
Austin, TX 78726-9000