

SUMICON 1600 SERIES RECTANGULAR CONNECTORS

The SUMICON 1600 series are multi-contact connectors designed by Hirose. 8, 12, 16, 20, 24, 28, 34, 45 and 60-contact models available (same as the 1300 series). The connector units are available in three types: soldering, wrapping, and crimping. Accessories

are C case, CA case, CBA case, ST stopper, STA stopper, and STB stopper. By combining the many options noted above, the SUMICON 1600 series connectors meet a wide variety of applications.

Standard Type

General

In the SUMICON 1600 series, the connector unit is completely separated from the accessories such as the cases and stoppers to diversify the specifications and

facilitate wiring connection. The SUMICON 1600 series are specified in the NTT specifications No.1931.

Electrical Characteristics

Item	Standard
Contact Resistance	7mΩ or less at DC1A
Insulation Resistance	1000M Ω or mote at DC500V
Withstand Voltage	AC1000V for 1 minute
Current Rating	3A
Voltage Rating	AC300V

Material and Finish

Part	Material	Finish
Insulator	Glass filled diallyphthalate resin	Blue
Male Terminal	Brass	Type A: Silver-plated
Female Terminal	Phosphor bronze	Type B: Gold-plated
Plug Case	ABS resin (black)	NTT spec: ABS resin, 2.5PB 6.0/2.0 (color)
Stopper Bracket	Steel	Treatment with chromate over zinc plating

Wire Wrapping Specifications

Applicable wire	AWG	26	28	30
	Applicable wire (mm)	0.41	0.32	0.26
	Max.coating O.D.(mm)	0.95	0.75	0.6
Wrapping method		Ordinary wrapping	Coating one wrap	Coating one wrap
Effective number of wrappings		about 8	about 8	about 9
Number of wrappings per terminal		2 wrap		

Ordering Information

P
W
—
16
34
□
A
—
C
□
()

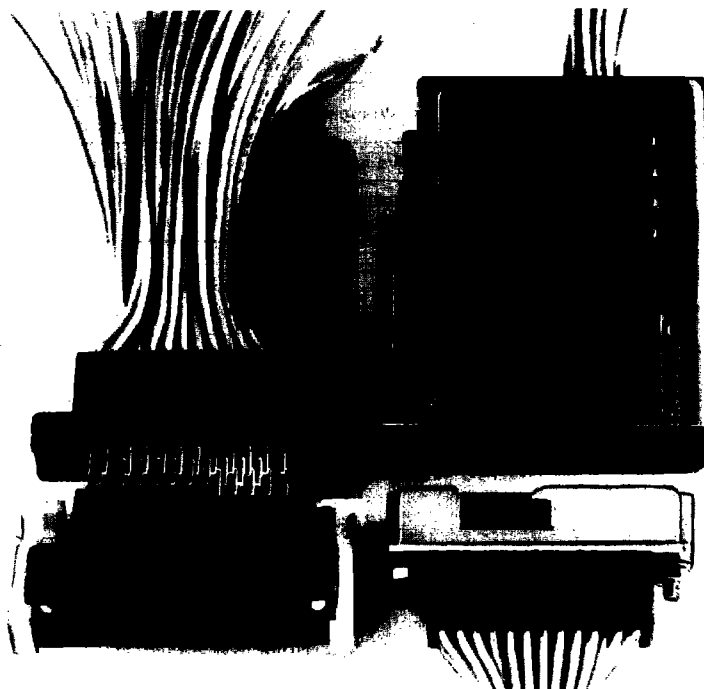
(1)
(2)
(3)
(4)
(5)
(6)
(7)
(8)
(9)

- | | |
|--|--|
| <p>(1) Shape of terminal opening
P: Male terminal
S: Female terminal</p> <p>(2) Terminal connection method
No sign: Soldering
W: Wrapping</p> <p>(3) Series No.
16: 1600 series</p> <p>(4) Number of contacts 34: 34 contacts</p> <p>(5) Serial sign for connector units
Provided with a sequence of upper-case alphabetic characters.
No sign or sign other than W: Soldering
Sequence: No sign, B,C,D,E ...</p> <p>(6) Plating
A: Silver-plated
B: Gold-plated</p> <p>(7) Signs for accessories
C: Plug case</p> | <p>ST: Stopper bracket with horizontal cable inlet opening
J: Jack Case
H: Handle
DB: Deep bracket</p> <p>(8) Serial signs for accessories
Each accessory (C,ST,J,H,DB) is provided with sequence of upper-case alphabetic characters.
Sequence: No sign, A,B,C...
Accessories, C,ST, or J followed by "no sign": Side lock types
Accessories, C and ST followed By A: Top touch lock type
Note: The space for no sign is filled sequentially.</p> <p>(9) Special specification number
For a special specification, () is filled with a serial number, except for the case and bracket, for which the following apply.
(01): Bracket only
(20): Case only</p> |
|--|--|

Cross Reference to NTT No.

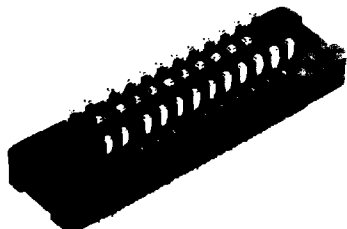
Type	NTT No.	Short Form	HRS No.	Part No.	Type	NTT No.	Short Form	HRS No.	Part No.
Plug	CN-3320GLWPMSA	20GLWPMSA	CL216-0247-5-01	P-1620BA-CA(01)	Receptacle	CN-5445GJMSA	45GJMSA	CL216-0257-9-01	P-1645BA-STA(01)
	CN-4028GLWPMSA	28GLWPMSA	CL216-0248-0-01	P-1628BA-CA(01)		CN-6760GJMSA	60GJMSA	CL216-0258-1-01	P-1660BA-STA(01)
	CN-4534GLWPMSA	34GLWPMSA	CL216-0250-0-01	P-1634BA-CA(01)		CN-3320G2JMSA	20G2JMSA	CL216-0292-0-01	PW-1620BA-STA(01)
	CN-5445GLWPMSA	45GLWPMSA	CL216-0251-2-01	P-1645BA-CA(01)		CN-3724G2JMSA	24G2JMSA	CL216-0293-2-01	PW-1624BA-STA(01)
	CN-6760GLWPMSA	60GLWPMSA	CL216-0252-5-01	P-1660BA-CA(01)		CN-4028G2JMSA	28G2JMSA	CL216-0294-5-01	PW-1628BA-STA(01)
	CN-3320GLWPFSA	20GLWPFSA	CL216-0153-3-01	S-1620A-CA(01)		CN-4534G2JMSA	34G2JMSA	CL216-0296-0-01	PW-1634A-STA(01)
	CN-3724GLWPFSA	24GLWPFSA	CL216-0154-6-01	S-1624A-CA(01)		CN-6760G2JMSA	60G2JMSA	CL216-0298-6-01	PW-1660BA-STA(01)
	CN-4028GLWPFSA	28GLWPFSA	CL216-0155-9-01	S-1628A-CA(01)		CN-3320GJFSA	20GJFSA	CL216-0151-8-01	S-1620A-STA(01)
	CN-4534GLWPFSA	34GLWPFSA	CL216-0126-0-01	S-1634A-CA(01)		CN-3724GJFSA	24GJFSA	CL216-0148-3-01	S-1624A-STA(01)
	CN-5445GLWPFSA	45GLWPFSA	CL216-0127-3-01	S-1645A-CA(01)		CN-4028GJFSA	28GJFSA	CL216-0152-0-01	S-1628A-STA(01)
CN-6760GLWPFSA	60GLWPFSA	CL216-0128-6-01	S-1660A-CA(01)	CN-4028G2JFSA	28G2JFSA	CL216-0313-8-01	SW-1628A-STA(01)		
Receptacle	CN-3724GJMSA	24GJMSA	CL216-0254-0-01	P-1624BA-STA(01)	CN-4534G2JFSA	34G2JFSA	CL216-0299-9-01	SW-1634A-STA(01)	
	CN-4028GJMSA	28GJMSA	CL216-0255-3-01	P-1628BA-STA(01)	CN-5445G2JFSA	45G2JFSA	CL216-0300-6-01	SW-1645A-STA(01)	
	CN-4534GJMSA	34GJMSA	CL216-0256-6-01	P-1634BA-STA(01)	CN-6760G2JFSA	60G2JFSA	CL216-0301-9-01	SW-1660A-STA(01)	

Note: NTT Types are all assembled with connector inserts and plug shells or stopper brackets.

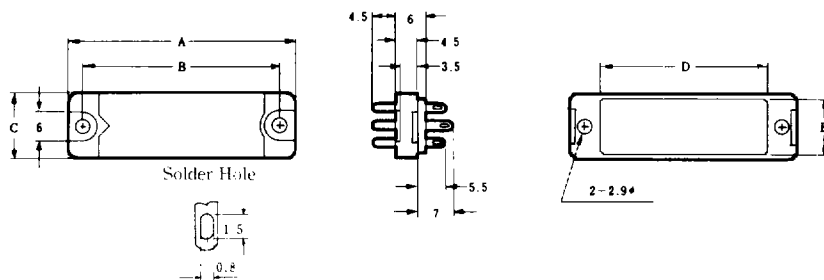


Soldering Eyelet Pin Connector

Male Connector



CL216-0177-1
P-1634BA



Unit: mm

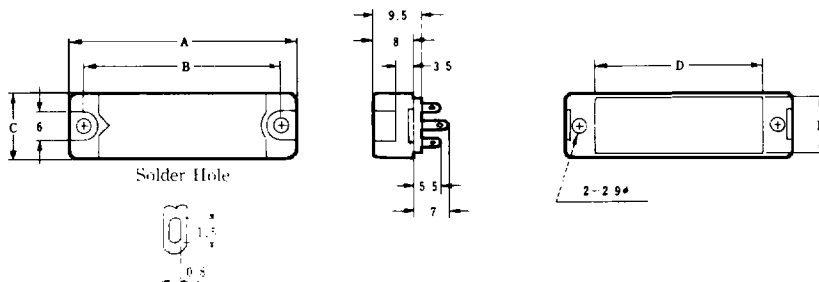
No. of Pins	A Type		G Type		A	B	C	D	E
	HRS No.	Part No.	HRS No.	Part No.					
8	* CL216-0171-5-09	P-1608BA(09)	*CL216-0180-6-09	P-1608BG(09)	25	19	10	13	8
12	* CL216-0172-8-09	P-1612BA(09)	* CL216-0181-9-09	P-1612BG(09)	30	24	10	18	8
16	* CL216-0173-0-09	P-1616BA(09)	* CL216-0182-1-09	P-1616BG(09)	35	29	10	23	8
20	* CL216-0174-3-09	P-1620BA(09)	* CL216-0183-4-09	P-1620BG(09)	33	27	13	21	11
24	* CL216-0175-6-09	P-1624BA(09)	* CL216-0184-7-09	P-1624BG(09)	37	31	13	25	11
28	* CL216-0176-9-09	P-1628BA(09)	* CL216-0185-0-09	P-1628BG(09)	40	34	13	28	11
34	* CL216-0177-1-09	P-1634BA(09)	* CL216-0186-2-09	P-1634BG(09)	45	39	13	33	11
45	* CL216-0178-4-09	P-1645BA(09)	* CL216-0187-5-09	P-1645BG(09)	54	48	13	42	11
60	* CL216-0179-7-09	P-1660BA(09)	* CL216-0188-8-09	P-1660BG(09)	67	61	13	55	11

*: Standard

Female Connector



CL216-0007-1
S-1634A



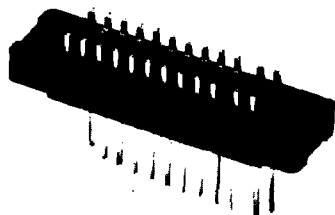
Unit: mm

No. of Pin	A Type		G Type		A	B	C	D	E
	HRS No.	Part No.	HRS No.	Part No.					
8	* CL216-0001-5-09	S-1608A(09)	* CL216-0055-4-09	S-1608G(09)	25	19	10	13	8
12	* CL216-0002-8-09	S-1612A(09)	* CL216-0056-7-09	S-1612G(09)	30	24	10	18	8
16	* CL216-0003-0-09	S-1616A(09)	* CL216-0057-0-09	S-1616G(09)	35	29	10	23	8
20	* CL216-0004-3-09	S-1620A(09)	* CL216-0058-2-09	S-1620G(09)	33	27	13	21	11
24	* CL216-0005-6-09	S-1624A(09)	* CL216-0059-5-09	S-1624G(09)	37	31	13	25	11
28	* CL216-0006-9-09	S-1628A(09)	* CL216-0060-4-09	S-1628G(09)	40	34	13	28	11
34	* CL216-0007-1-09	S-1634A(09)	* CL216-0061-7-09	S-1634G(09)	45	39	13	33	11
45	* CL216-0008-4-09	S-1645A(09)	* CL216-0062-0-09	S-1645G(09)	54	48	13	42	11
60	* CL216-0009-7-09	S-1660A(09)	* CL216-0063-2-09	S-1660G(09)	67	61	13	55	11

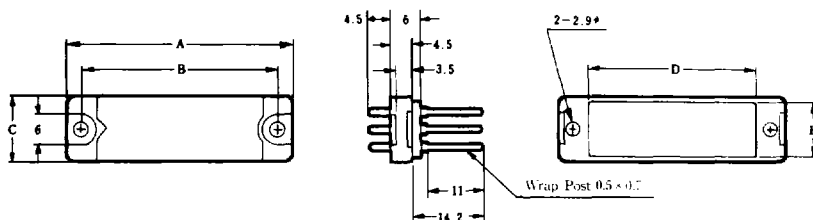
*: Standard

Wire Wrapping Pin Connector

Male connector



CL216-0204-2
PW-1634BA



Unit: mm

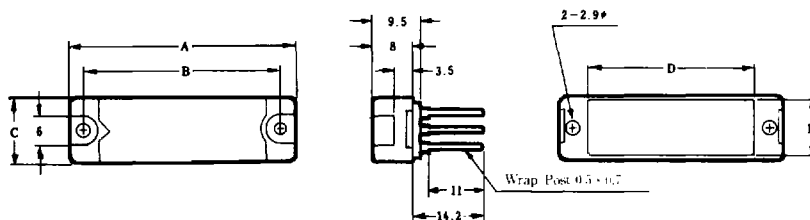
No. of Pin	Type A		Type G		A	B	C	D	E
	HRS No.	Part No.	HRS No.	Part No.					
8	*CL216-0198-1-09	PW-1608BA(09)	CL216-0216-1-09	PW-1608BG(09)	25	19	10	13	8
12	*CL216-0199-4-09	PW-1612BA(09)	CL216-0217-4-09	PW-1612BG(09)	30	24	10	18	8
16	*CL216-0200-1-09	PW-1616BA(09)	CL216-0218-7-09	PW-1616BG(09)	35	29	10	23	8
20	*CL216-0201-4-09	PW-1620BA(09)	CL216-0219-0-09	PW-1620BG(09)	33	27	13	21	11
24	*CL216-0202-7-09	PW-1624BA(09)	CL216-0220-9-09	PW-1624BG(09)	37	31	13	25	11
28	*CL216-0203-0-09	PW-1628BA(09)	CL216-0221-1-09	PW-1628BG(09)	40	34	13	28	11
34	*CL216-0204-2-09	PW-1634BA(09)	CL216-0222-4-09	PW-1634BG(09)	45	39	13	33	11
45	*CL216-0205-5-09	PW-1645BA(09)	CL216-0223-7-09	PW-1645BG(09)	54	48	13	42	11
60	*CL216-0206-8-09	PW-1660BA(09)	CL216-0224-0-09	PW-1660BG(09)	67	61	13	55	11

*: Standard

Female connector



CL216-0195-3
SW-1634A

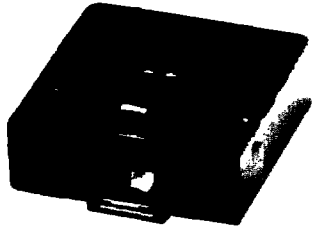


Unit: mm

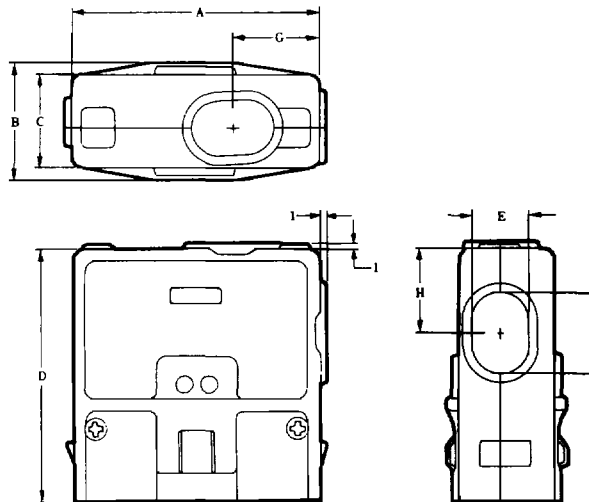
No. of Pin	Type A		Type G		A	B	C	D	E
	HRS No.	Part No.	HRS No.	Part No.					
8	*CL216-0189-0-09	SW-1608A(09)	CL216-0207-0-09	SW-1608G(09)	25	19	10	13	8
12	*CL216-0190-0-09	SW-1612A(09)	CL216-0208-3-09	SW-1612G(09)	30	24	10	18	8
16	*CL216-0191-2-09	SW-1616A(09)	CL216-0209-6-09	SW-1616G(09)	35	29	10	23	8
20	*CL216-0192-5-09	SW-1620A(09)	CL216-0210-5-09	SW-1620G(09)	33	27	13	21	11
24	*CL216-0193-8-09	SW-1624A(09)	CL216-0211-8-09	SW-1624G(09)	37	31	13	25	11
28	*CL216-0194-0-09	SW-1628A(09)	CL216-0212-0-09	SW-1628G(09)	40	34	13	28	11
34	*CL216-0195-3-09	SW-1634A(09)	CL216-0213-3-09	SW-1634G(09)	45	39	13	33	11
45	*CL216-0196-6-09	SW-1645A(09)	CL216-0214-6-09	SW-1645G(09)	54	48	13	42	11
60	*CL216-0197-9-09	SW-1660A(09)	CL216-0215-9-09	SW-1660G(09)	67	61	13	55	11

*: Standard

Side Touch Lock Type Plug Shell



CL216-0034-4-20
P-1634A-C(20)

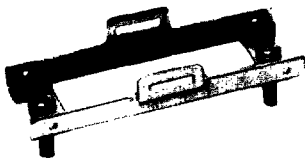


Unit: mm

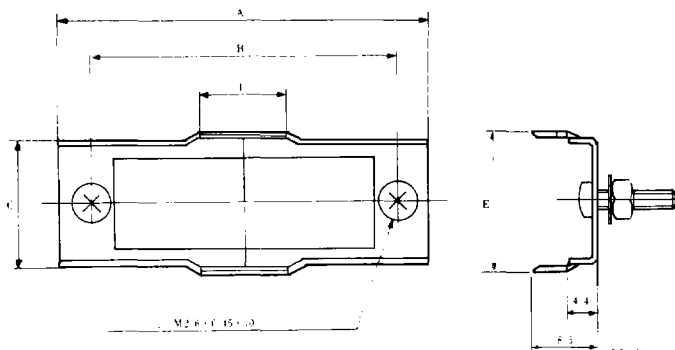
No. of Pin	HRS No.	Part No.	A	B	C	D	E	F	G	H
8	* CL216-0028-1-20	P-1608A-C(20)	29	20	14.5	42	7.5	7.5	12.5	12.5
12	* CL216-0029-4-20	P-1612A-C(20)	34	20	14.5	43.5	7.5	9	13.5	13.5
16	* CL216-0030-3-20	P-1616A-C(20)	39	20	14.5	46	7.5	11.5	14.5	14.5
20	* CL216-0031-6-20	P-1620A-C(20)	37	23	17.5	45.5	11	11	14.5	14.5
24	* CL216-0032-9-20	P-1624A-C(20)	41	23	17.5	46.5	11	12	15	15
28	* CL216-0033-1-20	P-1628A-C(20)	44	23	17.5	47.5	11	13	15.5	15.5
34	* CL216-0034-4-20	P-1634A-C(20)	49	23	17.5	50.5	11	16	17	17
45	* CL216-0035-7-20	P-1645A-C(20)	58	23	18.5	54.5	11	19	18.5	19.5
60	* CL216-0036-0-20	P-1660A-C(20)	71	23	18.5	59.5	11	24	21	22

Note: All these products are plug cases only. Order connector units separately. The cases can be used for both male and female connector units. The cases marked with an asterisk are of standard specifications. *: Standard

Side Touch Lock Type Receptacle Bracket



CL216-0052-6-01
P-1634A-ST(01)

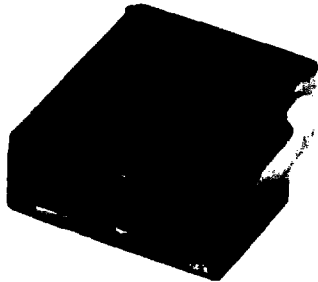


Unit: mm

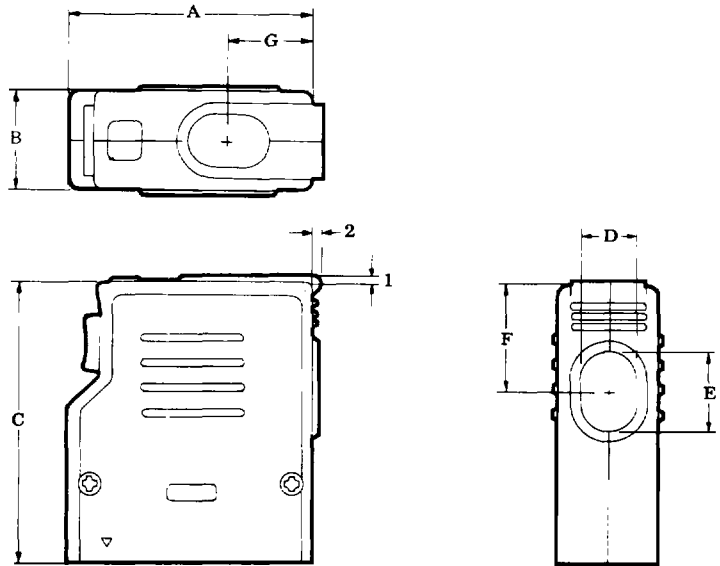
No. of Pin	HRS No.	Part No.	A	B	C	D	E
8	* CL216-0046-3-01	P-1608A-ST(01)	27	19	13.6	9.2	15.5
12	* CL216-0047-6-01	P-1612A-ST(01)	32	24	13.6	9.2	15.5
16	* CL216-0048-9-01	P-1616A-ST(01)	37	29	13.6	11	15.5
20	* CL216-0049-1-01	P-1620A-ST(01)	35	27	16.6	11	18.5
24	* CL216-0050-0-01	P-1624A-ST(01)	39	31	16.6	11	18.5
28	* CL216-0051-3-01	P-1628A-ST(01)	42	34	16.6	11	18.5
34	* CL216-0052-6-01	P-1634A-ST(01)	47	39	16.6	11	18.5
45	* CL216-0053-9-01	P-1645A-ST(01)	56	48	16.6	15	18.5
60	* CL216-0054-1-01	P-1660A-ST(01)	69	61	16.6	15	18.5

Note: All these products are stopper brackets only. Order connector units separately. The cases can be used for both male and female connector units. The brackets marked with an asterisk are of standard specifications. *: Standard

Top Touch Lock Type Plug Shell



CL216-0111-3-20
P-1634A-CA(20)



Unit: mm

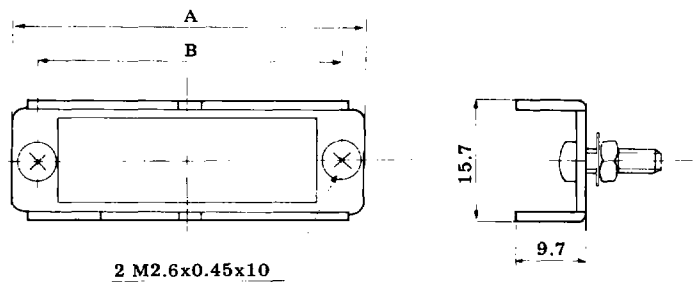
No. of Pin	HRS No.	Part No.	A	B	C	D	E	F	G
20	* CL216-0149-6-20	P-1620A-CA(20)	37	20	51	11	11	18	14.5
24	* CL216-0147-0-20	P-1624A-CA(20)	41	20	51	11	12	18.5	15
28	* CL216-0150-5-20	P-1628A-CA(20)	44	20	53	11	13	20	15.5
34	* CL216-0111-3-20	P-1634A-CA(20)	49	20	56	11	16	21.5	17
45	* CL216-0112-6-20	P-1645A-CA(20)	58	20	60	11	19	24	18.5
60	* CL216-0113-9-20	P-1660A-CA(20)	71	20	65	11	24	26.5	21

Note: All these products are Plug cases only. Order connector units separately. The cases can be used for both male and female connector units. The cases marked with an asterisk are of standard specifications. *: Standard

Top Touch Lock Type Stopper Bracket



CL216-0123-2-01
P-1634A-STA(01)



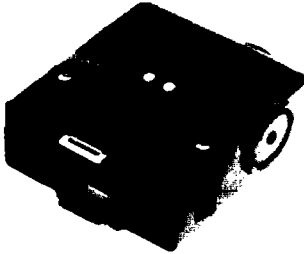
2 M2.6x0.45x10

Unit: mm

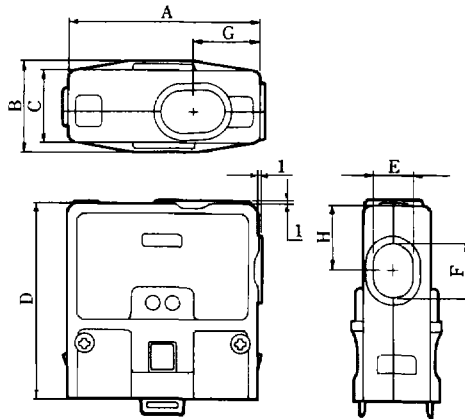
No. of Pin	HRS No.	Part No.	A	B
20	* CL216-0156-1-01	P-1620A-STA(01)	33	27
24	* CL216-0157-4-01	P-1624A-STA(01)	37	31
28	* CL216-0158-7-01	P-1628A-STA(01)	40	34
34	* CL216-0123-2-01	P-1634A-STA(01)	45	39
45	* CL216-0124-5-01	P-1645A-STA(01)	54	48
60	* CL216-0125-8-01	P-1660A-STA(01)	67	61

Note: All these products are stopper brackets only. Order connector units separately. The cases can be used for both male and female connector units. The brackets marked with an asterisk are of standard specifications. *: Standard

Side Touch Lock Type Jack Shell (For Extension Cable)



CL216-0142-7-20
S-1634A-J(20)



Unit: mm

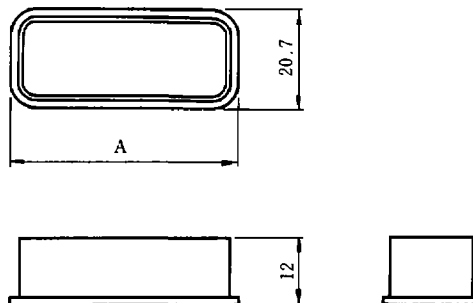
No. of Pin	HRS No.	Part No.	A	B	C	D	E	F	G	H
20	CL216-0139-2-20	S-1620A-J(20)	37	23	17.5	45.5	11	11	14.5	14.5
24	CL216-0140-1-20	S-1624A-J(20)	41	23	17.5	46.5	11	12	15	15
28	CL216-0141-4-20	S-1628A-J(20)	44	23	17.5	47.5	11	13	15.5	15.5
34	CL216-0142-7-20	S-1634A-J(20)	49	23	17.5	50.5	11	16	17	17
45	CL216-0225-2-20	S-1645A-J(20)	58	23	18.5	54.5	11	19	18.5	19.5
60	CL216-0226-5-20	S-1660A-J(20)	71	23	18.5	59.5	11	24	21	22

Note: All these products are jack cases only. Order connector units separately. The cases can be used for female connector units only.

Top Touch Lock Type Stopper Bracket



CL216-0325-7
1645STA-DC



Unit: mm

No. of Pin	HRS No.	Part No.	A
20	CL216-0321-6	1620STA-DC	38.3
24	CL216-0322-9	1624STA-DC	42.3
28	CL216-0323-1	1628STA-DC	45.3
34	CL216-0324-4	1634STA-DC	50.3
45	CL216-0325-7	1645STA-DC	59.3
60	CL216-0326-0	1660STA-DC	72.3

SHOULDER-TOUCH LOCK TYPE

General

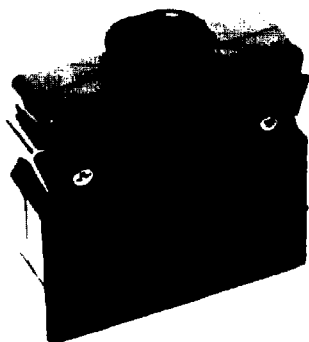
The shoulder-touch lock type plug cases are highly reliable, lightweight, sturdy, and operable. 8, 12, and 16-contact models are available. Hirose high-density

packaging plug cases, including the top-touch lock type, are available in 8 to 60-contact models.

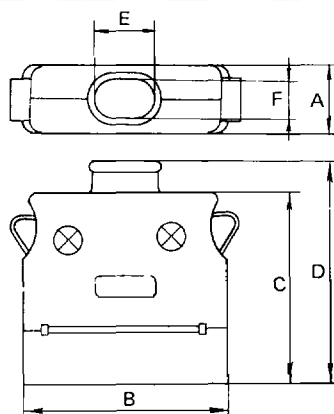
Material and Finish

Description	Material	Finish
Plug case	Polypropylene resin	Black
Stopper	Steel	Treated with chromate over zinc plating

Plug Shell



CL216-0418-6
1616-CBA



Unit: mm

No. of pin	HRS No.	Part No.	A	B	C	D	E	F
8	*CL216-0416-0	1608-CBA	14	35	40	45	7.5 φ	
12	*CL216-0417-3-01	1612-CBA(01)	14	40	41	46	9	7.5
16	*CL216-0418-6	1616-CBA	14	45	42	47	11.5	7.5

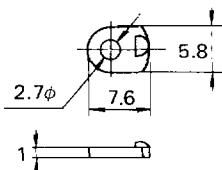
*: Standard

Note: Order connector units separately. The cases can be used for both male and female connector units. The cases marked with an asterisk are of standard specifications.

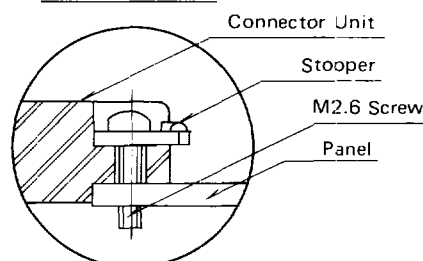
Stopper



CL216-0302-1
1600-STB



How to Mount



HRS No.	Part No.	Remark
*CL216-0302-1	1600-STB	Common for any size

*: Standard

Note: Order connector units separately. The cases marked with an asterisk are of standard specifications.

Note: Mounted on a connector unit
(Each package contains two stoppers)