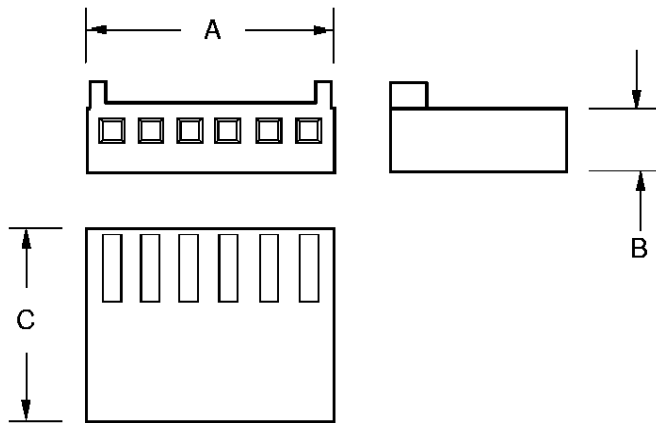


PRELIMINARY

DMS Connectors and Sockets

6-Position Connector Housing



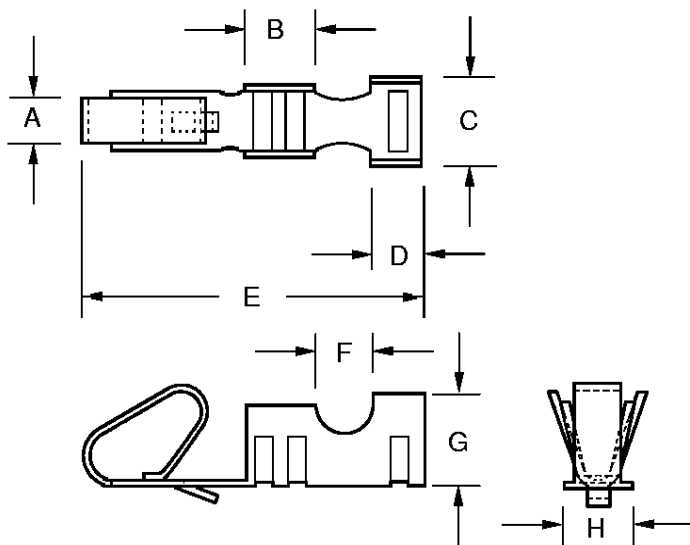
Description: DATEL's 39-2079400 six position connector housings and 39-2099090 crimp terminals provide a secure method for making input/output connections to all panel mounted 12-pin DMS series meters. These connectors are ideal for use in low-volume prototype applications. Two connector housings and 12 terminals are required for each meter.

A quick and easy-to-use crimp tool, DATEL part number 39-2099000, simplifies the attachment of 22-26 AWG wires to the crimp terminals.

Connector Housing	A	B	C
39-2079400	0.62 (15.7)	0.19 (4.8)	0.50 (12.7)

Dimensions: in. (mm) All dimensions are nominal

Crimp Terminals

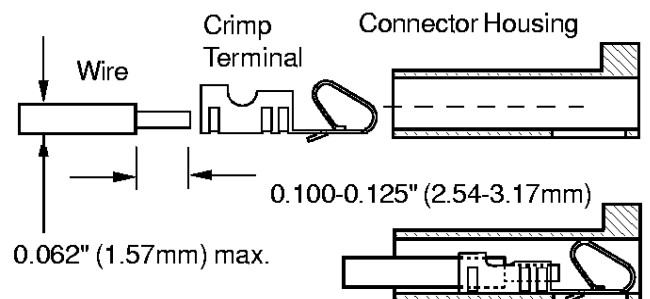


Crimp Terminal	A	B	C	D
39-2099090	0.042 (1.07)	0.08 (2.0)	0.08 (2.0)	0.06 (1.5)
	E	F	G	H
	0.38 (9.7)	0.05 (1.3)	0.08 (2.0)	0.075 (1.91)

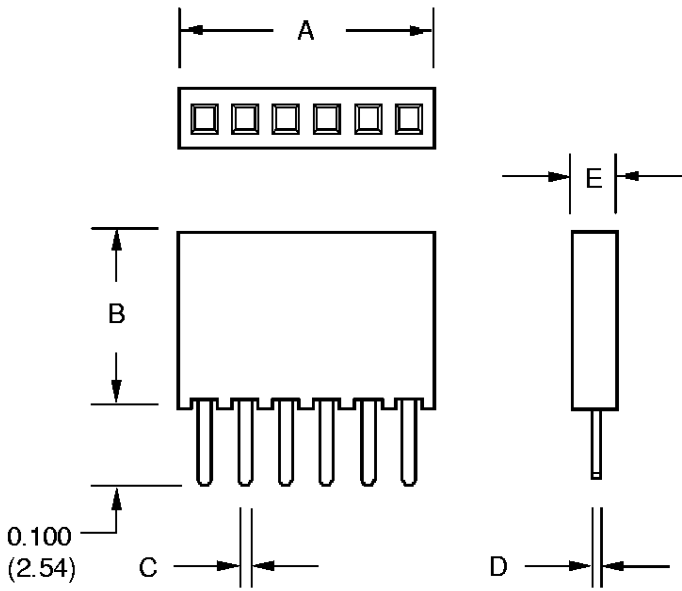
Dimensions: in. (mm) All dimensions are nominal

Electrical Specifications	
Insulator Material:	Nylon
Flammability Rating:	UL94V-0
Wire Size:	22-26 AWG
Stripping Length:	0.100" to 0.125" (2.54 to 3.17mm)
Current Rating:	2.5A continuous
Insulation Diameter:	0.062" (1.57mm) max.

Crimp Terminal and Housing Installation



6-Position SIP Sockets

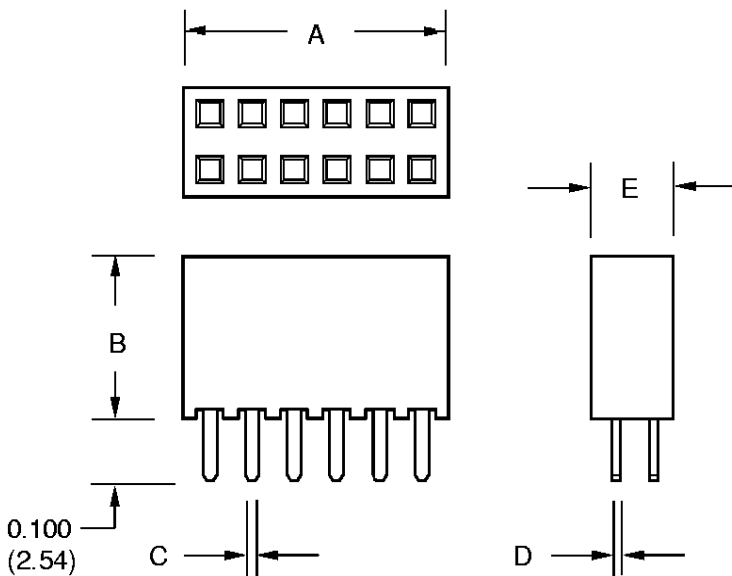


Description: DATEL part numbers 39-2359625 (6-position SIP) and 39-2359624 (12-position DIP) sockets provide any easy and inexpensive, low profile solution for mounting DMS series meters on printed circuit boards. These are the same rugged, long-life sockets DATEL uses in all its in-house panel meter burn-in boards. Both sockets provide excellent mechanical retention force, and in many applications they can supply all the necessary mechanical force to hold the meters in position (see DMS Application Note 16 for more information). The 6-position SIP's can be used with all 12-pin DMS meters, while the 12-position DIP's are intended for use with "-BCD" models of the DMS-40PC family.

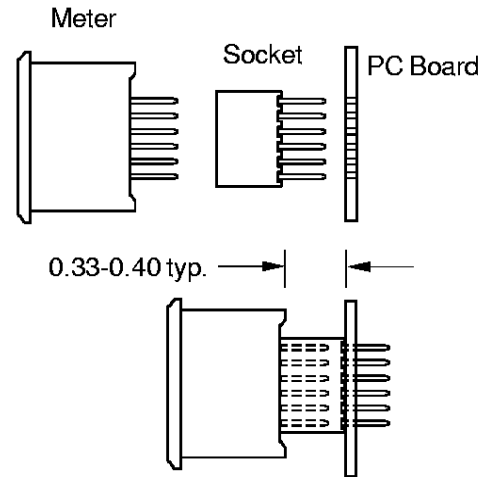
12-Position DIP Socket	A	B	C	D	E
39-2359624	0.620 (15.7)	0.335 (8.51)	0.031 (0.79)	0.016 (0.41)	0.195 (4.95)
6-Position SIP Socket	A	B	C	D	E
39-2359625	0.620 (15.7)	0.335 (8.51)	0.031 (0.79)	0.016 (0.41)	0.098 (2.48)

Dimensions: in. (mm) All dimensions are nominal

12-Position DIP Sockets



Meter and Socket Installation



Electrical Specifications	
Insulator Material:	Black liquid crystal polymer
Flammability Rating:	UL94V-0
Operating Temperature:	-65 to +105°C
Contact & Tail Plating:	200" (5.08mm) Tin
PC-board Hole Diameter:	0.037 (0.94) to 0.043 (1.09)
Contact Material:	Phosphor Bronze
Current Rating:	3A continuous
Withdrawal Force:	5 oz. (1.39N) avg./position with 0.025 (0.64) pin



DS-0428 09/98

DATEL, Inc. 11 Cabot Boulevard, Mansfield, MA 02048-1151
 Tel: (508) 339-3000 (800) 233-2765 Fax: (508) 339-6356
 Internet: www.datel.com Email: sales@datel.com
 Data sheet fax back: (508) 261-2857

DATEL (UK) LTD. Tadley, England Tel: (01256)-880444
 DATEL S.A.R.L. Montigny Le Bretonneux, France Tel: 01-34-60-01-01
 DATEL GmbH München, Germany Tel: 89-544334-0
 DATEL KK Tokyo, Japan Tel: 3-3779-1031, Osaka Tel: 6-354-2025

DATEL makes no representation that the use of its products in the circuits described herein, or the use of other technical information contained herein, will not infringe upon existing or future patent rights. The descriptions contained herein do not imply the granting of licenses to make, use, or sell equipment constructed in accordance therewith. Specifications are subject to change without notice. The DATEL logo is a registered DATEL.