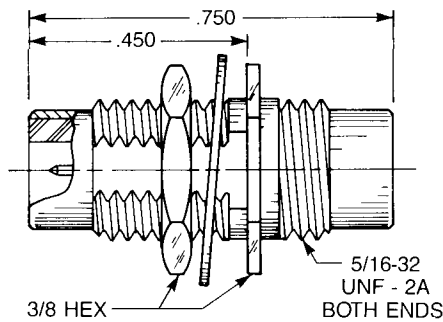


75Ω Screw-on Adapters/Terminations

Straight Bulkhead Mounted Adapter



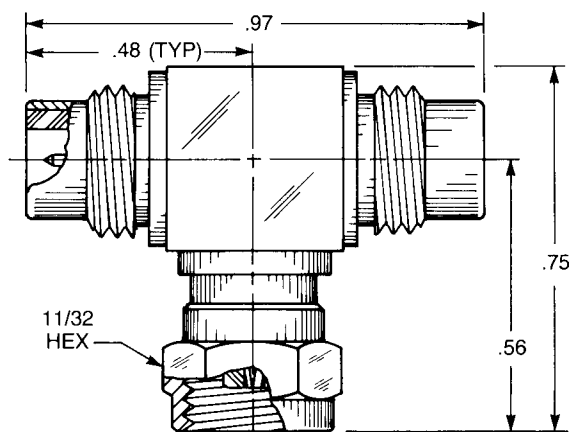
Bulkhead Mounted Straight Male Jack To Jack Adapter

- Connects two plugs

5722-1501-000 (Gold plated)

5722-7501-000 (Nickel plated)

Tee Adapters

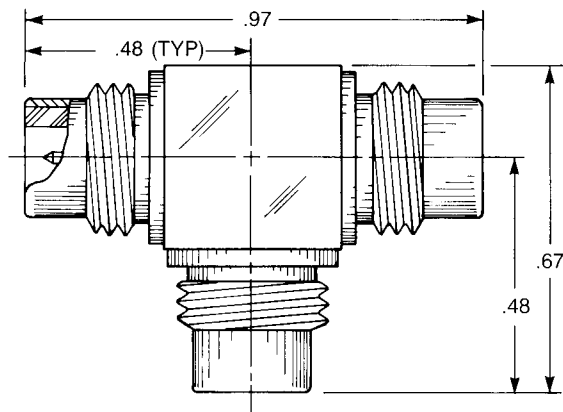


Tee Adapter (Unmatched Power Divider) Jack To Plug To Jack

- Connects two plugs and one jack

5715-1501-000 (Gold plated)

5715-7501-000 (Nickel plated)



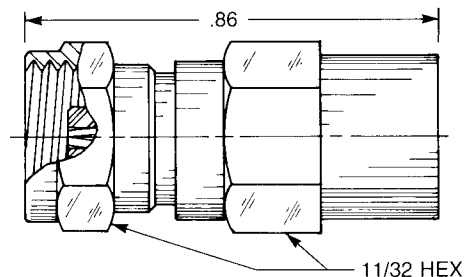
Tee Adapter (Unmatched Power Divider) Jack To Jack To Jack

- Connects three plugs

5707-1501-000 (Gold plated)

5707-7501-000 (Nickel plated)

Resistive Termination



Female Plug Resistive Termination

(Dummy load)

Standard resistor: 75 OHM, 1/2 watt, 5% tolerance

1736-1511-075 (Gold plated)

1736-7511-075 (Nickel plated)