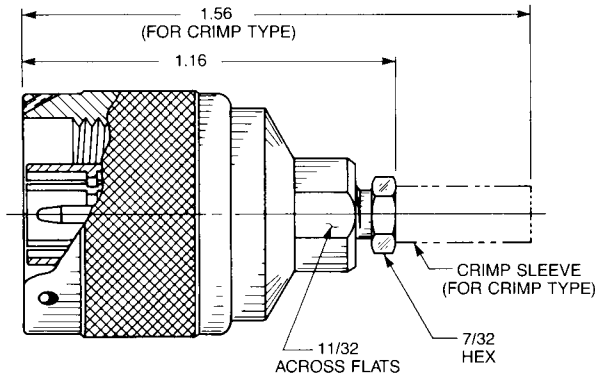


# N Connectors for Miniature Cable

Click on part number to go directly to cable assembly instructions

## Straight Plug

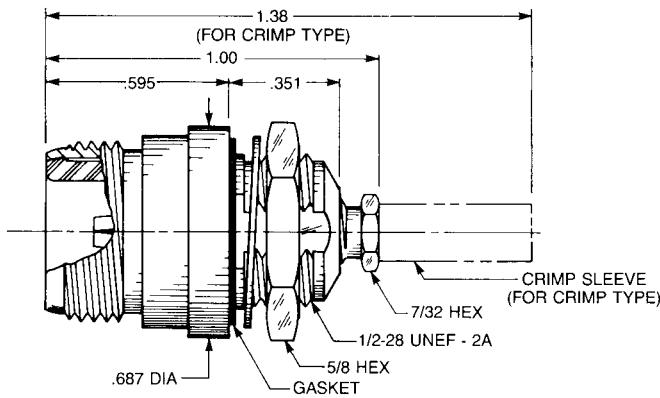


Clamp type for flexible cable:  
**4000-1051-0XX** (Gold plated)  
**4000-7051-0XX** (Nickel plated)

Crimp type for flexible cable:  
**4000-1071-0XX** (Gold plated)  
**4000-7071-0XX** (Nickel plated)

Solder-clamp for semi-rigid cable:  
**4000-1041-0XX** (Gold plated)  
**4000-7041-0XX** (Nickel plated)

## Bulkhead Mounted Jacks

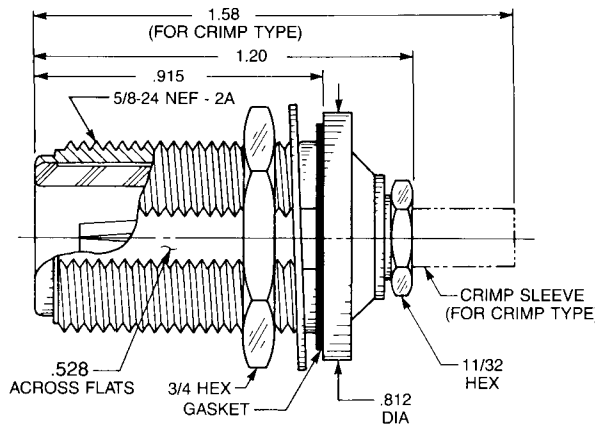


### Front Mount

Clamp type for flexible cable:  
**4502-1051-0XX** (Gold plated)  
**4502-7051-0XX** (Nickel plated)

Crimp type for flexible cable:  
**4502-1071-0XX** (Gold plated)  
**4502-7071-0XX** (Nickel plated)

Solder-clamp for semi-rigid cable:  
**4502-1041-0XX** (Gold plated)  
**4502-7041-0XX** (Nickel plated)



### Rear Mount

Clamp type for flexible cable:  
**4501-1051-0XX** (Gold plated)  
**4501-7051-0XX** (Nickel plated)

Crimp type for flexible cable:  
**4501-1071-0XX** (Gold plated)  
**4501-7071-0XX** (Nickel plated)

Solder-clamp for semi-rigid cable:  
**4501-1041-0XX** (Gold plated)  
**4501-7041-0XX** (Nickel plated)

Substitute the appropriate cable group number for "XX" when ordering:

GROUP	CABLE TYPES	GROUP	CABLE TYPES	GROUP	CABLE TYPES
02	RG178, RG196, M17/93, M17/169	05	RG178DS, RG196DS	10	.085" semi-rigid, RG405, M17/133
03	RG174, RG179, RG316, M17/113, M17/119, M17/172, M17/189	09	.141" semi-rigid, RG 402M17/130	19	RG174DS, RG316DS, M17/151, M17/152, Times RD-316