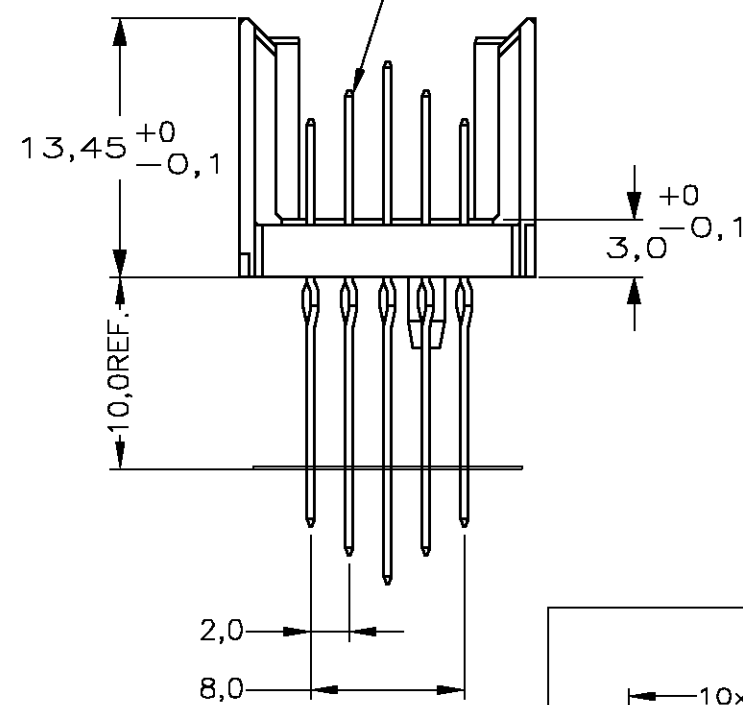
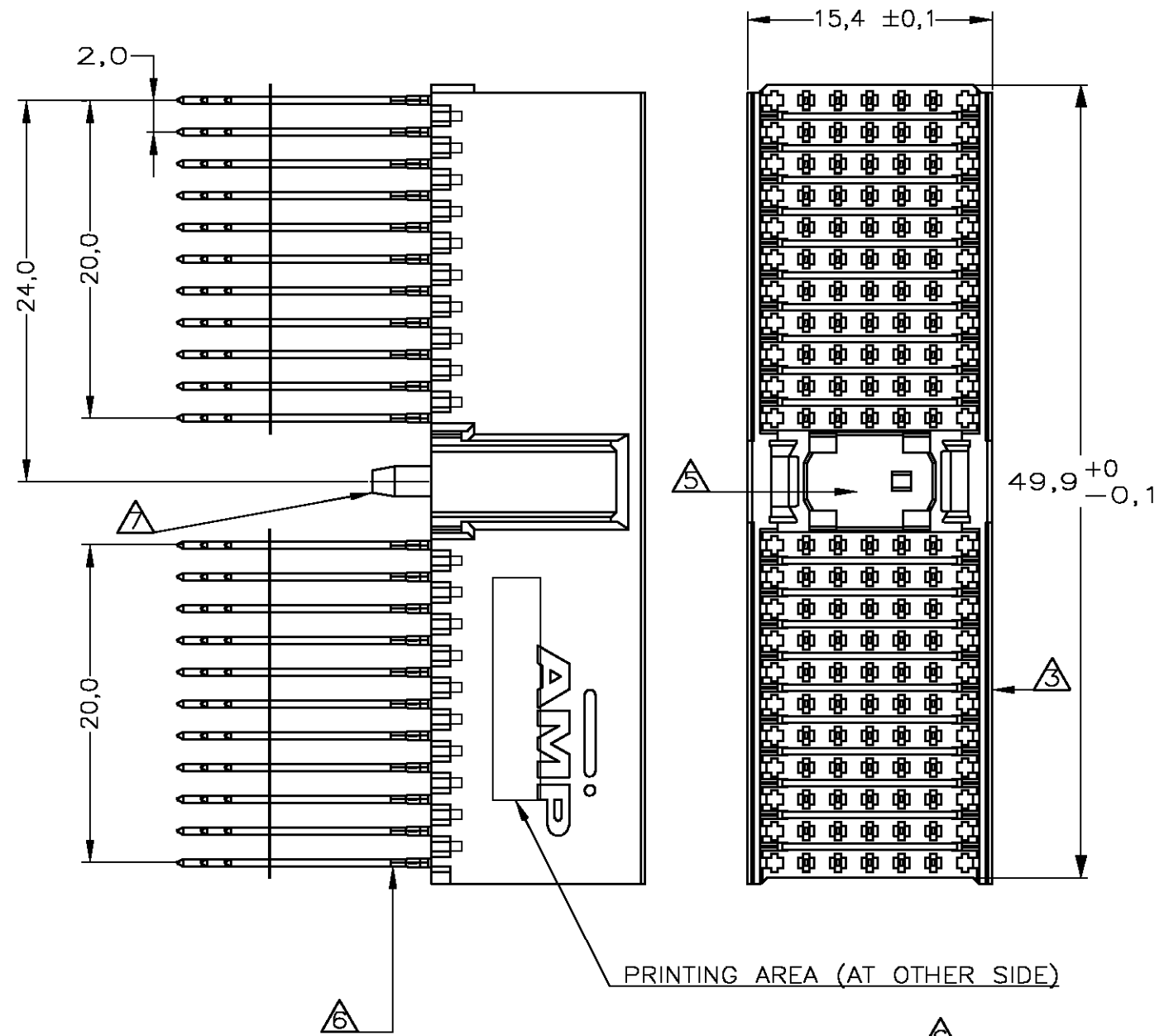
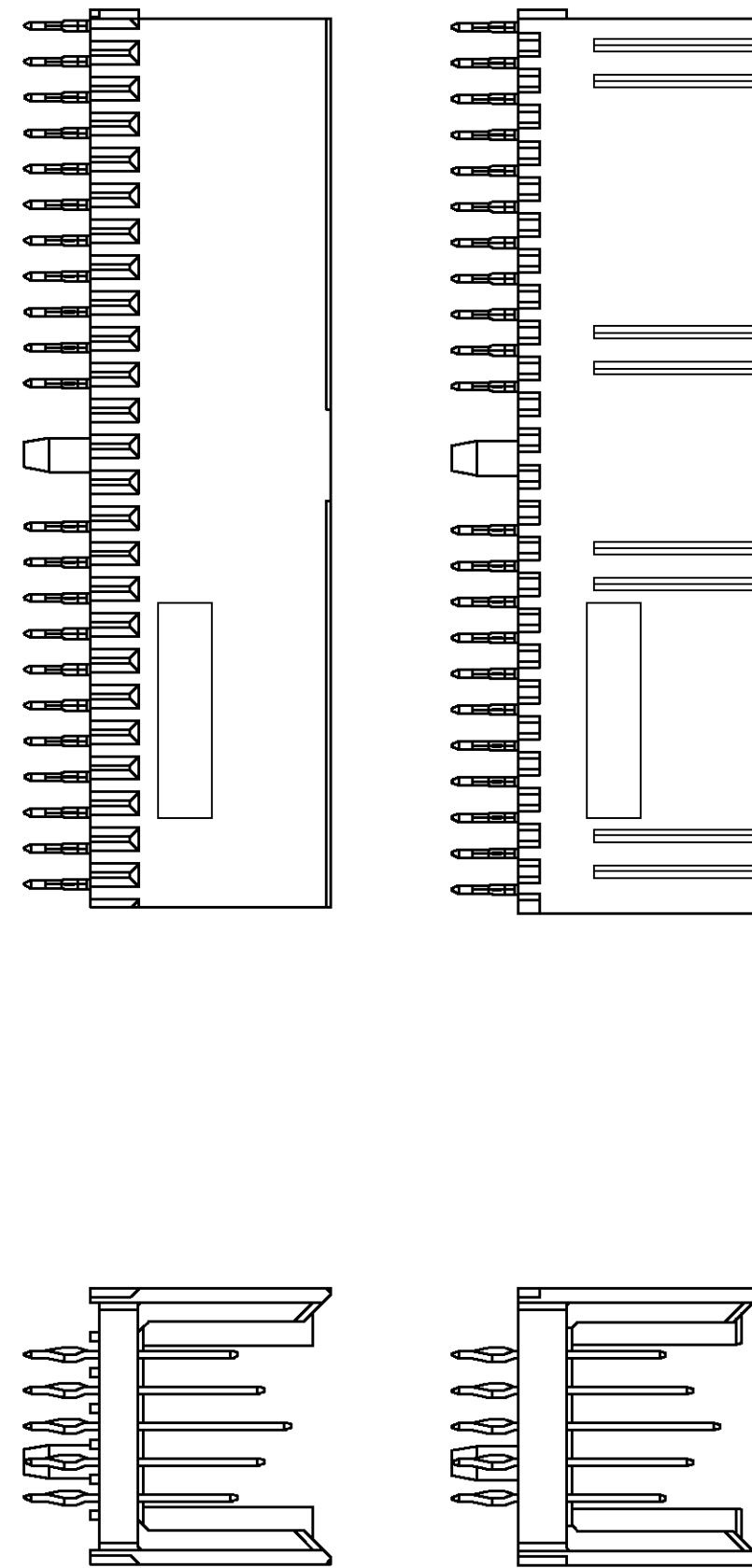


CONNECTOR ASSEMBLY EXEMPLARY LOADED



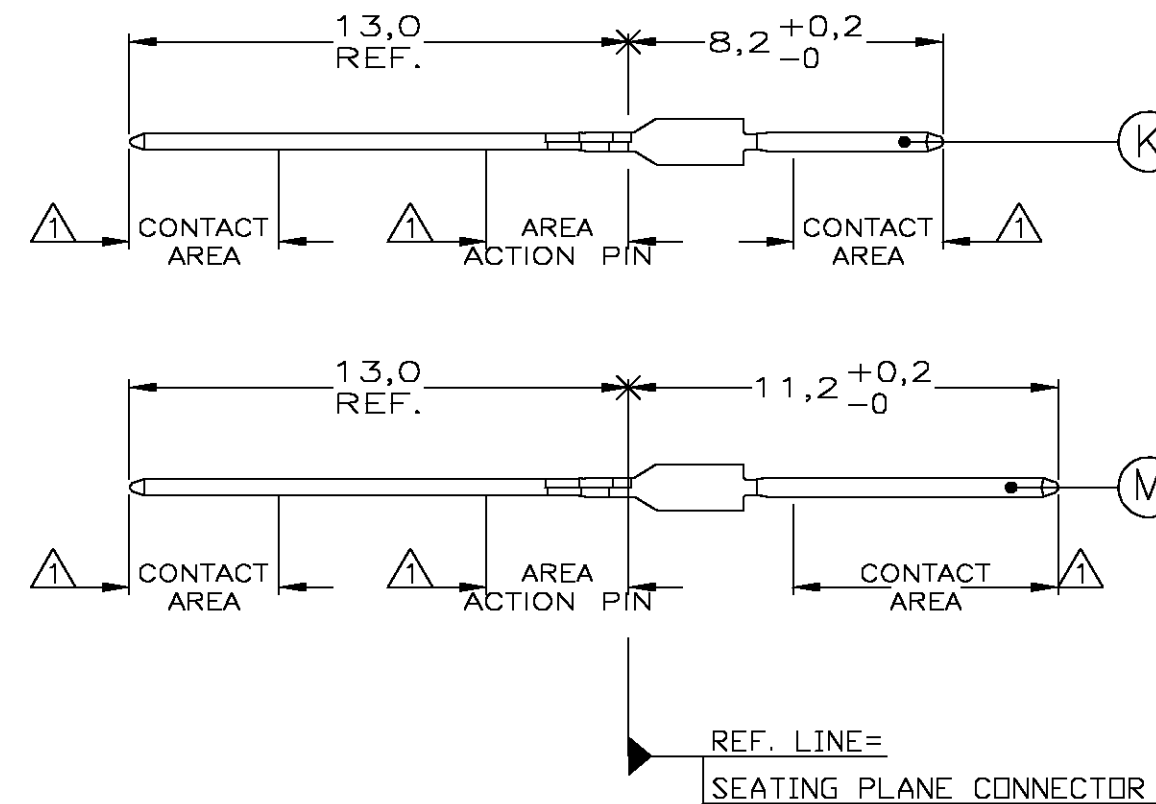
CONNECTOR APPEARANCES POSSIBLE VERSIONS



CONTACT LAYOUT

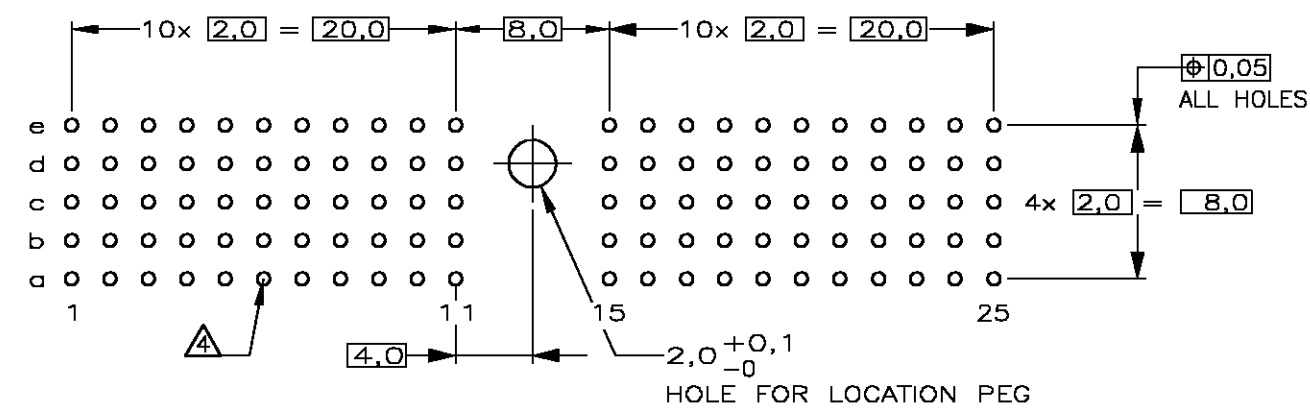
	z	a	b	c	d	e	f
1	M	K	M	M	M		
2	M	K	M	M	M		
3	K	K	K	K	K		
4	M	K	M	M	M		
5	K	K	K	K	K		
6	K	K	K	K	K		
7	K	K	K	K	K		
8	K	K	K	K	K		
9	K	K	K	K	K		
10	K	K	K	K	K		
11	K	K	K	K	K		
MULTI PURPOSE CENTRE							
15	K	K	K	K	K		
16	K	K	K	K	K		
17	K	K	K	K	K		
18	K	K	K	K	K		
19	K	K	K	K	K		
20	K	K	K	K	K		
21	K	K	K	K	K		
22	M	K	M	M	M		
23	K	K	K	K	K		
24	M	K	M	M	M		
25	M	K	M	M	M		

CONTACT DIMENSIONS



NOTES:

- ▲ FOR FINISH TYPES SEE PLATING TABLE.
- ▲ MATERIAL CONTACT: PHOSPHORBRONZE.
- ▲ MATERIAL POST ALIGNMENT STRIP: UNFILLED POLYESTER
- ▲ MATERIAL HOUSING: GREY GLASSFILLED POLYESTER UL-RATING 94V0.
- ▲ CONNECTOR MARKED WITH PART NUMBER AND DATE CODE.
- ▲ PLATED-THROUGH HOLES AT 2x2mm SQUARE GRID.
- ▲ AREA FOR KEYING PART (BASIC PART NUMBER 100525).
- ▲ FOR ACTUAL PIN LOADING SEE "CONTACT LAYOUT".
- ▲ LOCATION PEG.
- ▲ SUPERSEDED BY 0-1345092-1.



RECOMMENDED PCB-HOLE LAY-OUT
COMPONENT SIDE SHOWN

P.C.B. HOLE DIM. ACTION PIN
 DRILLED HOLE: 0,7 ± 0,025mm
 FIN. HOLE : 0,55 TO 0,65mm
 Cu-thks : 0,025 TO 0,050mm
 SnPb-thks : 0,004 TO 0,010mm

LOC		DIST		REVISIONS			
P	LTR	DESCRIPTION	DATE	DWN	APVD		
A1		SR10-0162-01	16-MAY-'01	FB	-		
-	-	-	-	-	-		
-	-	-	-	-	-		

0-1345092-7	1,27	0,76	0.5-2.5	No	▲
0-1345092-1	1,27	0,76	0.5-2.5	No	
PART NUMBER		UNDER-COATING µm Ni MIN.	CONTACT AREA µm Au MIN.	ACTION-PIN AREA µm Sn/Pb	CONSERVATION TREATMENT

THIS DRAWING IS A CONTROLLED DOCUMENT.

DIMENSIONS: MM

TOLERANCES UNLESS OTHERWISE SPECIFIED:

0 PLC	± -
1 PLC	± -
2 PLC	± -
3 PLC	± -
4 PLC	± -
ANGLES	± -
FINISH	-

MATERIAL: -

FINISH: -

THIS DRAWING IS A CONTROLLED DOCUMENT. DWN: Frederik Beun, 16-MAY-'01, CHK: -

APVD: -

PRODUCT SPEC: -

APPLICATION SPEC: -

WEIGHT: -

CUSTOMER DRAWING

SCALE: 5:1

SHEET: 1 OF 1

REV: A1

tyco Electronics Tyco Electronics Corporation Oostkamp - BELGIUM

Z-PACK 2mm HM TYPE A 110 POS. MALE CONNECTOR ASSEMBLY

SIZE: A2 CAGE CODE: 00779 DRAWING NO: 1345092 RESTRICTED TO: -

- [Home](#)
- [Part Number Search](#)
- [Document Search](#)
- [Text Search](#)
- [Alternate Part Search](#)
- [Multiple Part Comparison](#)
- [Alphabetical Search](#)
- [Brand Search](#)
- [Industry Product Search](#)
- [Product Type Search](#)
- [Product Family Search](#)
- [Competitor Cross Reference](#)
- [Lead Free Solutions](#)
- [Help/Glossary](#)

Current Brand View	View All Tyco Electronics Brands Click to activate links to all other products
AMP	

High Speed Connectors

AMP 2mm Hard Metric PCB Mount Connectors (Z-PACK 2mm HM and HM-Zd)

AMP **1345092-1** Active [Active](#)

(Tyco Electronics P/N: 1345092-1)

[Search for Parts](#) | Pr [Previous](#) [1](#) [2](#) [3](#) [4](#) [5](#) [6](#) [7](#) [8] [9](#) [Next](#) N

Document links for this part cannot be displayed. Your browser does not support inline frames or is currently configured not to display inline frames. Inline frames are supported in both Internet Explorer 5 and Netscape 6, as well as all later versions of these browsers.

Related Part Information		
General Information	eCommerce	Related Part Information
<ul style="list-style-type: none"> General Info Sales Info Assembly Subcontractors 	<ul style="list-style-type: none"> Pricing Product Availability 	

Searchable Features:	
Brand:	AMP
Gender:	Plug
Product Type:	Connector
Connector Type:	Type A
Contact Type:	Signal
Feedthrough Post Length (mm [in]):	13.00 [0.512]
No. of Rows:	5
No. of Positions:	110
PCB Mount Angle:	Vertical
Board Mount:	Fixed Board
Mating Polarization:	Yes
Mating Polarization Method:	Multi-Purpose Center

Other Properties:	
Rows Loaded:	A, B, C, D, E
Make First / Break Last:	Yes
Housing Material:	Glass-Filled Polyester
Contact Material:	Phosphor Bronze

Module Length (mm [in]):	50.00 [1.968]
Crosstalk Version:	Standard
Shielded:	No
CompactPCI:	No
Contact Mating Area Plating:	Gold over Nickel
Grounding Contact:	Without
Interface Type:	2mm HM

[Copyright](#) and [Privacy Statement](#)

Visit [Tyco International, Ltd.](#)

[Products](#) | [Catalog](#) | [Brands](#) | [Industries](#) | [Commerce](#) | [Supplier](#) | [Customer Service](#) | [About](#) | [Home](#)