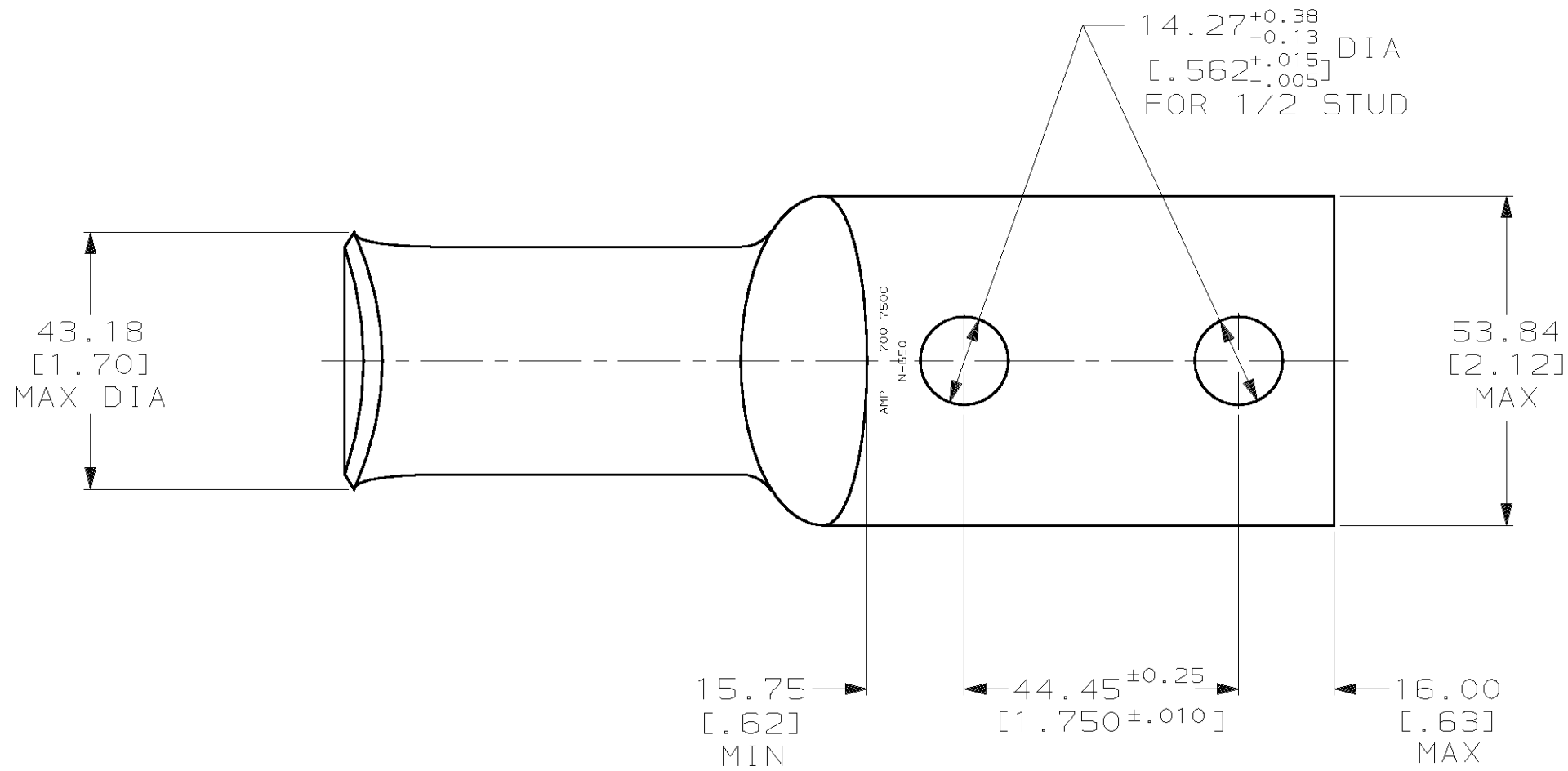
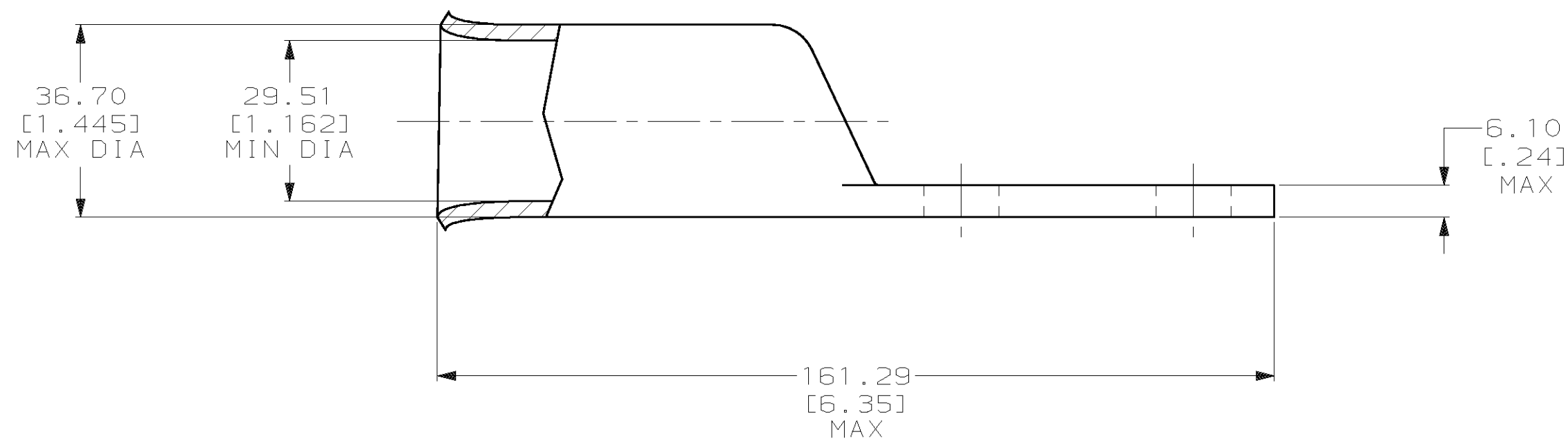


THIS DRAWING IS UNPUBLISHED. RELEASED FOR PUBLICATION
 © COPYRIGHT 19 BY AMP INCORPORATED. ALL INTERNATIONAL RIGHTS RESERVED.

LOC		DIST		P		F		ZONE		LTR		REVISIONS		DATE	APPD
G	86													030CT02	JR/M5
												C	REV PER 0G3A-0561-01		



1 CIRCULAR MIL RANGE: 650-750 MCM
 2 TIN PL 0.00381 [.000150] MIN THK PER MIL-T-10727



53686-2
 PART NO

DO NOT SCALE PRINT. UNLESS SPECIFIED DIMENSIONS IN mm [INCHES] TOLERANCES ON : 2 PLC DEC ± 0.51 [.020] 3 PLC DEC ± - ANGLES ± -		DR 02/28/90 DK SCHRUM		AMP INCORPORATED Harrisburg, Pa. 17105	
MATERIAL ANNEALED COPPER ASTM B-75		CHK 24JAN95 MS FEHER			
FINISH △		APPD 24JAN95 WJ VOCKROTH		NAME TERMINAL, AMPOWER, WIRE SIZE: 700 MCM	
		APPD 24JAN95 TL SHUTTER		DRAWING NO 53686	
		PRODUCT SPEC 108-30200		CAGE CODE 00779	
		APPLICATION SPEC -		SCALE 1:1	
		WEIGHT .871 LB		SHEET 1 OF 1	

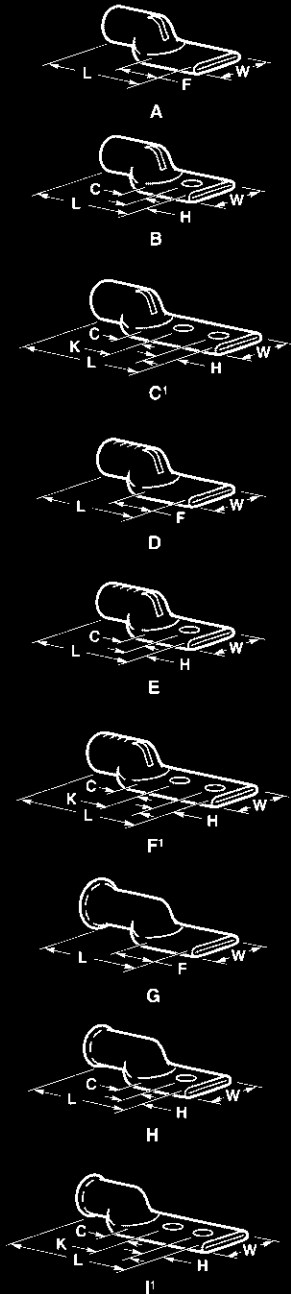


Terminals (Continued)

Base Material:

Annealed Copper
(ASTM B-188)

Electrodeposited Tin Plate
(MIL-T-10727)



Wire Size	Wire Range	Barrel I.D. Min.	Tongue Thickness Max.	Style	Stud Size	Dimensions						Part Number		
						L Max.	H Max.	C Min.	K	F Min.	W Max.			
350 MCM 177mm ²	325-375 MCM	.819 20.80	.17 4.32	A	—	4.54	—	—	—	3.00	1.51	325917		
						115.32	—	—	—	76.20	38.35			
						1/2	4.06	.54	.71	1.25	—		1.51	325926-1**
						M12	103.12	13.72	18.03	31.75	—		38.35	
						—	2.86	—	—	—	1.41		1.51	325956*
						—	72.64	—	—	—	35.81		38.35	
						3/8	2.79	.63	.62	—	—		1.51	325903
						—	70.87	16.00	15.75	—	—		38.35	
						1/2	2.79	.63	.62	—	—		1.51	325905
						M12	70.87	16.00	15.75	—	—		38.35	
						1/2	2.79	.63	.62	—	—		1.51	325905-1**
						M12	70.87	16.00	15.75	—	—		38.35	
—	2.91	—	—	—	1.42	1.51	325906							
—	73.91	—	—	—	36.07	38.35								
3/8	3.79	.63	.62	1.00	—	1.51	326806							
—	96.27	16.00	15.75	25.40	—	38.35								
3/8	3.79	.63	.62	1.00	—	1.51	326806-1**							
—	96.27	16.00	15.75	25.40	—	38.35								
1/2	4.55	.63	.62	1.75	—	1.51	327287							
M12	115.57	16.00	15.75	44.45	—	38.35								
1/2	5.47	.63	.62	1.75	—	1.51	53641-2							
M12	138.94	16.00	15.75	44.45	—	38.35								
400 MCM 203mm ²	375-450 MCM	.876 22.25	.18 4.57	A	—	2.89	.63	.62	—	—	1.61	326003		
						—	73.41	16.00	15.75	—	—		40.89	
						1/2	2.89	.63	.62	—	—		1.61	326005
						M12	73.41	16.00	15.75	—	—		40.89	
						1/2	2.89	.63	.62	—	—		1.61	326005-2**
						M12	73.41	16.00	15.75	—	—		40.89	
						5/8	3.01	.63	.75	—	—		1.61	326007
						M16	76.45	16.00	19.05	—	—		40.89	
						—	3.59	—	—	—	1.99		1.61	1-326012-2*
						—	91.19	—	—	—	50.55		40.89	
						—	4.88	—	—	—	3.24		1.61	326016
						—	123.95	—	—	—	82.30		40.89	
3/8	3.90	.63	.62	1.00	—	1.61	326807							
—	99.06	16.00	15.75	25.40	—	40.89								
—	5.87	—	—	—	3.21	1.61	326021							
—	149.10	—	—	—	81.53	40.89								
5/8	4.00	.63	.75	—	—	1.61	326020							
M16	101.60	16.00	19.05	—	—	40.89								
3/8	3.29	.76	.75	—	—	1.80	326103							
—	83.57	19.30	19.05	—	—	45.72								
1/2	3.29	.76	.75	—	—	1.80	326105							
M12	83.57	19.30	19.05	—	—	45.72								
5/8	3.29	.76	.75	—	—	1.80	326106							
M16	83.57	19.30	19.05	—	—	45.72								
—	3.43	—	—	—	1.68	1.80	326107-1*							
—	87.12	—	—	—	42.67	45.72								
—	3.79	—	—	—	2.04	1.80	2-326111-1*							
—	96.27	—	—	—	51.82	45.72								
—	5.00	—	—	—	3.25	1.80	326117							
—	127.00	—	—	—	82.55	45.72								
1/2	4.80	.61	.62	1.75	—	1.80	327289							
M12	121.92	15.49	15.75	44.45	—	45.72								
3/8	4.05	.63	.62	1.00	—	1.80	326808							
—	102.87	16.00	15.75	25.40	—	45.72								
—	6.08	—	—	—	3.20	1.80	326123							
—	154.43	—	—	—	81.28	45.72								
1/2	5.88	.63	.62	1.75	—	1.80	53642-2							
M12	149.35	16.00	15.75	44.45	—	45.72								

*Cleaned but not plated.
**No sight hole.
*Per NEMA specification.

Terminals (Continued) and Splices

Base Material:

Annealed Copper
(ASTM B-188)

Electrodeposited Tin Plate
(MIL-T-10727)

Note: Refer to art on facing page.

Wire Size	Wire Range	Barrel I.D. Min.	Tongue Thickness Max.	Style	Stud Size	Dimensions						Part Number	
						L Max.	H Max.	C Min.	K	F Min.	W Max.		
600 ² MCM 304mm ²	550-650 MCM	1.075 27.31	.22 5.59	F	1/2	4.46	.54	.71	1.25	—	1.95	276916-1	
					M12	113.26	13.72	18.03	31.75	—	49.53		
					D	—	4.02	—	—	—	2.12	1.95	1-326211-1
						—	102.11	—	—	—	53.85	49.53	
					G	—	6.28	—	—	—	3.25	1.95	326222
						—	159.51	—	—	—	82.55	49.53	
F	3/8	4.22	.63	F	—	107.19	16.00	15.75	25.40	—	1.95	326809-1**	
					M12	126.24	16.00	15.75	44.45	—	49.53		
F	1/2	4.97	.63	F	M12	126.24	16.00	15.75	44.45	—	1.95	327290	
					M12	126.24	16.00	15.75	44.45	—	49.53		
F	1/2	4.97	.63	F	M12	126.24	16.00	15.75	44.45	—	1.95	327290-1**	
					M12	126.24	16.00	15.75	44.45	—	49.53		
700 ² MCM 355mm ²	650-750 MCM	1.162 29.51	.24 6.10	E	1/2	3.59	.76	.75	—	—	2.12	326305	
					M12	91.19	19.30	19.05	—	—	53.85		
I	1/2	6.35	.63	I	M12	161.29	16.00	15.75	44.45	—	2.12	53686-2	
					M12	161.29	16.00	15.75	44.45	—	53.85		
E	1/2	3.72	.76	E	—	94.49	19.30	19.05	—	—	2.26	326405	
					—	94.49	19.30	19.05	—	—	57.40		
E	5/8	3.72	.76	E	M12	94.49	19.30	19.05	—	—	2.26	326406	
					M12	94.49	19.30	19.05	—	—	57.40		
D	—	4.47	—	D	—	113.54	—	—	—	2.24	2.26	2-326413-1*	
					—	113.54	—	—	—	56.90	57.40		
F	1/2	5.23	.63	F	M12	132.84	16.00	15.75	44.45	—	2.26	327292	
					M12	132.84	16.00	15.75	44.45	—	57.40		
F	1/2	5.63	.63	F	M12	143.00	16.00	20.57	44.45	—	2.51	327294	
					M12	143.00	16.00	20.57	44.45	—	63.75		

* Cleaned but not plated.
** No sight hole.
‡ Two crimps necessary.

Splices

Long Barrel Butt Splice

Wire Size Range:

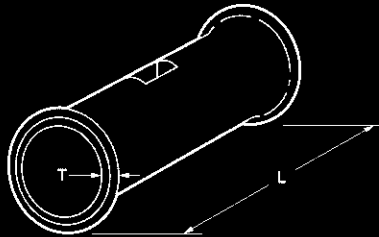
1/0 AWG to 500 MCM
[50 to 253 mm²]

Base Material:

Annealed Copper
(ASTM B-188)

Electrodeposited Tin Plate
(MIL-T-10727)

Wire Size	Wire Range	Barrel I.D. Min.	Dimensions		Part Number
			T	L Max.	
1/0 AWG	83,700-119,500 CM	.468 11.89	.042	2.42	53081
			1.07	61.47	
4/0 AWG	190-231 MCM	.658 16.71	.059	3.24	53084
			1.50	82.30	
250 MCM	231-275 MCM	.700 17.78	.065	3.51	53085
			1.65	89.15	
350 MCM	325-378 MCM	.829 21.06	.077	4.06	53087
			1.96	103.12	
400 MCM	375-450 MCM	.886 22.50	.083	4.34	53088
			2.11	110.24	
500 MCM	450-550 MCM	.991 25.17	.092	4.75	53089
			2.34	120.65	



- [Home](#)
- [Part Number Search](#)
- [Document Search](#)
- [Text Search](#)
- [Alternate Part Search](#)
- [Multiple Part Comparison](#)
- [Alphabetical Search](#)
- [Brand Search](#)
- [Industry Product Search](#)
- [Product Type Search](#)
- [Product Family Search](#)
- [Competitor Cross Reference](#)
- [Lead Free Solutions](#)
- [Help/Glossary](#)

Current Brand View	View All Tyco Electronics Brands Click to activate links to all other products
AMP	

Terminals and Splices

AMPOWER Terminals

AMP **53686-2** **Active** [Active](#)

(Tyco Electronics P/N: 53686-2)

[Search for Parts](#) | [Previous](#) [1] [2](#) [3](#) [Next](#)

Document links for this part cannot be displayed. Your browser does not support inline frames or is currently configured not to display inline frames. Inline frames are supported in both Internet Explorer 5 and Netscape 6, as well as all later versions of these browsers.

Related Part Information		
General Information	eCommerce	Related Part Information
General Info Sales Info Assembly Subcontractors	Pricing Product Availability	

Searchable Features:	
Brand:	AMP
Application:	Power Generation and Distribution
Wire Size (AWG/CM):	700,000 CM
Wire Range (CMA):	650,000 – 750,000
Terminal Type:	Standard
Stud Size:	1/2 [M12]
Stud Diameter (mm [in]):	12.70 [0.500]
Stud Hole Diameter (mm [in]):	13.08 [0.515]
No. of Holes:	2
Barrel I.D. Min. (mm [in]):	29.51 [1.162]
Barrel Length:	Long

Other Properties:	
Body Style:	Straight
Tongue Material Thickness (mm [in]):	6.10 [0.240]
Material:	Copper
Finish:	Tin
Packaging Quantity:	25
Comment:	Two Crimps necessary. Electrodeposited Tin Plate per MIL-T-10727. Terminals are manufactured from annealed Copper per ASTM B-188.

[Copyright](#) and [Privacy Statement](#)

Visit [Tyco International, Ltd.](#)

[Products](#) | [Catalog](#) | [Brands](#) | [Industries](#) | [Commerce](#) | [Supplier](#) | [Customer Service](#) | [About](#) | [Home](#)