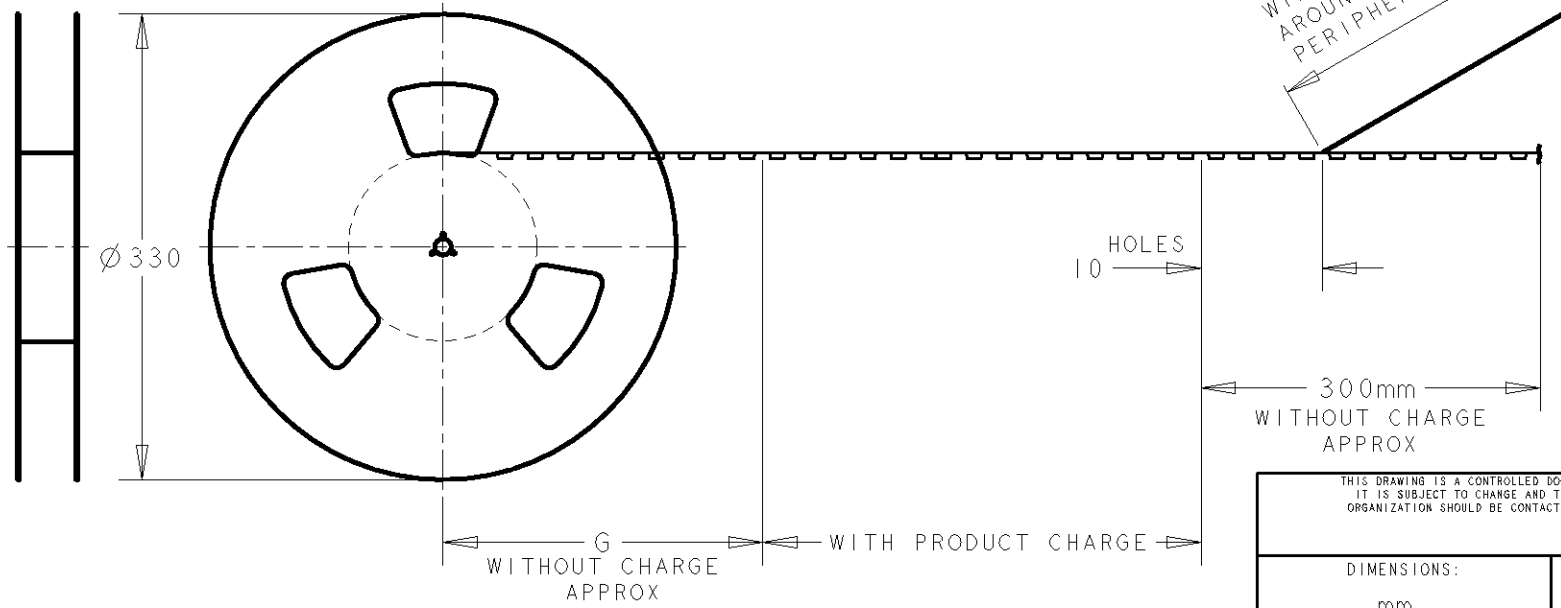
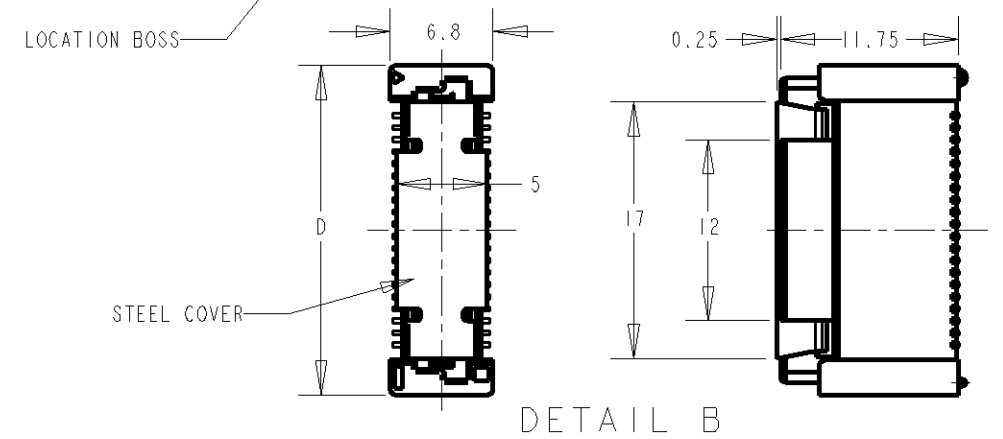
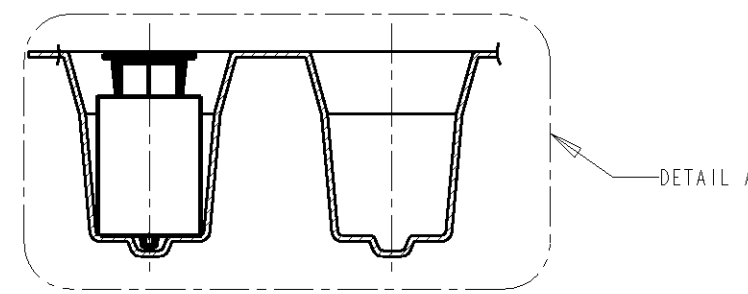
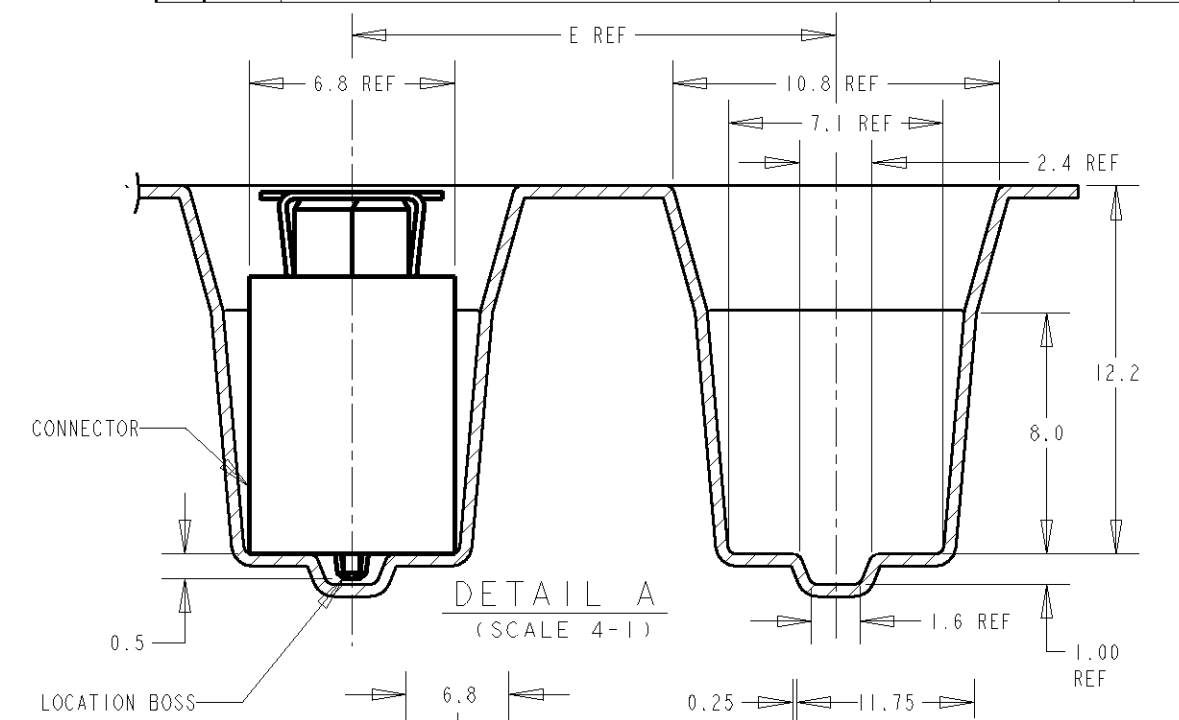
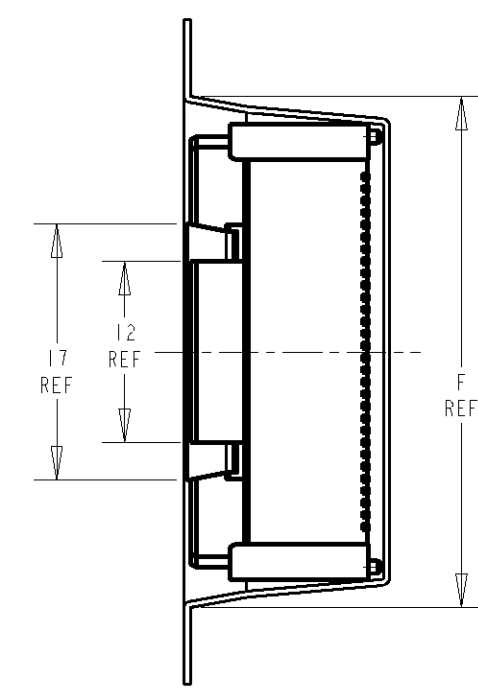
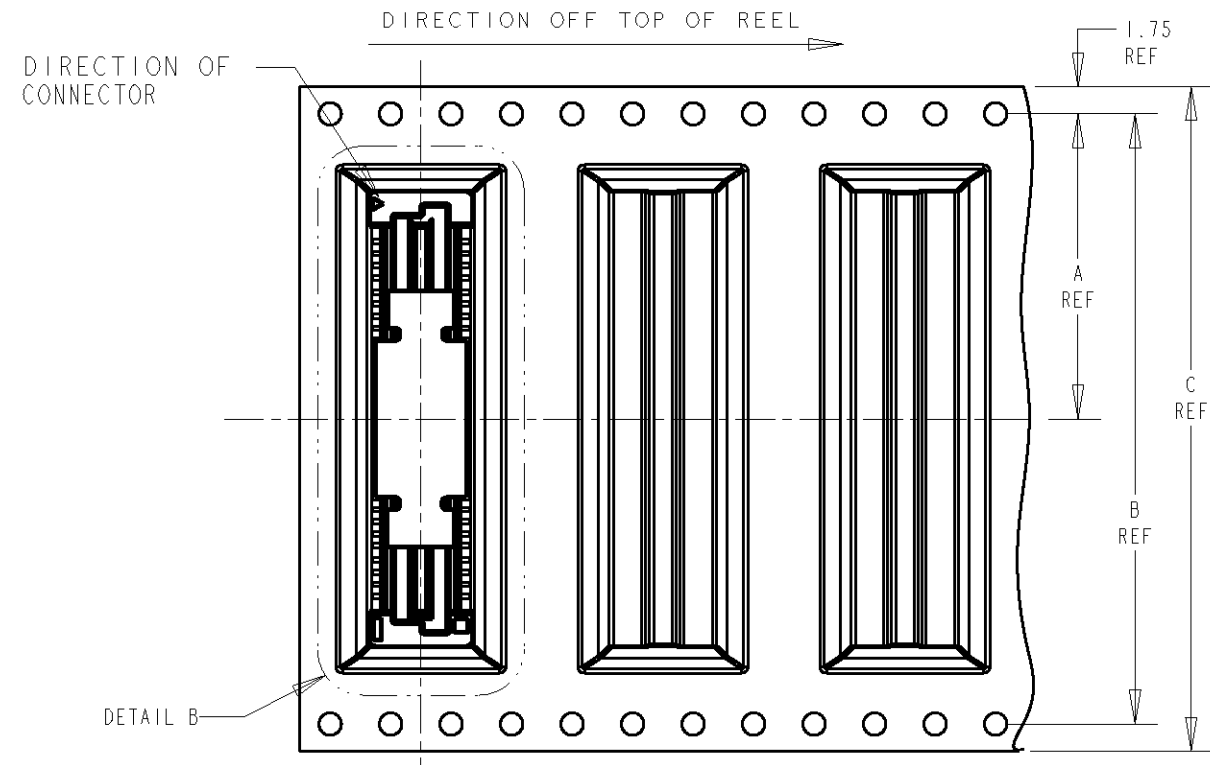


THIS DRAWING IS UNPUBLISHED. RELEASED FOR PUBLICATION .19  
 © COPYRIGHT 19 BY AMP INCORPORATED. ALL RIGHTS RESERVED.

LOC	DIST	REVISIONS			
P	LTR	DESCRIPTION	DATE	DWN	APVD
DY	-	D	REVISED FP00-0397-02	22NOV02	LSK ET



AVAILABLE	200	300	81.8	16	77.8	104	100.4	50.4	5-179010-9	180	0-84616-9
	200	300	73.8	16	69.8	88	84.4	42.2	5-179010-8	160	0-84616-8
	200	300	65.8	16	61.8	88	84.4	42.2	5-179010-6	140	0-84616-6
	200	300	57.8	16	53.8	72	68.4	34.2	5-179010-5	120	0-84616-5
	200	300	49.8	16	45.8	72	68.4	34.2	5-179010-4	100	0-84616-4
	200	300	41.8	16	37.8	56	52.4	26.2	5-179010-3	80	0-84616-3
	200	300	33.8	16	29.8	44	40.4	20.2	5-179010-2	60	0-84616-2
	200	300	25.8	16	21.8	44	40.4	20.2	5-179010-1	40	0-84616-1
REMARKS	QTY	G	F	E	D	C	B	A	CONNECTOR P/N	POS	PART NO.

<small>THIS DRAWING IS A CONTROLLED DOCUMENT FOR AMP INCORPORATED. IT IS SUBJECT TO CHANGE AND THE CONTROLLING ENGINEERING ORGANIZATION SHOULD BE CONTACTED FOR THE LATEST REVISION.</small>		DWN WYLEE 22OCT98 CHK MARCUS APVD ERIC TNG PRODUCT SPEC 108-5390 APPLICATION SPEC 114-5254 WEIGHT - CUSTOMER DRAWING	<b>AMP</b> AMP MANUFACTURING (SINGAPORE) PTE. LTD. NAME RECEPTACLE ASS'Y 13H TYPE (0.5 BOSS LENGTH) FOR FH 0.8mm B-T-B CONN. ON TAPING SIZE A3 CAGE CODE 00779 DRAWING NO C-84616 SCALE 2:1 SHEET 1 OF 1 REV D
DIMENSIONS: mm 	TOLERANCES UNLESS OTHERWISE SPECIFIED: 0 PLC ± 1 PLC ±0.20 2 PLC ±0.25 3 PLC ± 4 PLC ± ANGLES ± MATERIAL - FINISH -		

**0.8mm Free Height Vertical Receptacles, 0.8 [.031] Pitch** (Continued)

**13mm Receptacles for**  
**13 [.512], 14 [.551],**  
**15 [.591] and 16 [.630]**  
**Stacking Heights**

**Material and Finish:**

**Housing** — High temperature thermo-plastic, natural color. 94V-0 rated

**Contacts** — Beryllium copper, duplex plated 0.00020 [.000008] min. gold on contact area, 0.00100 [.000039] min. tin-lead on solder area, with entire contact underplated 0.00130 [.000051] min. nickel

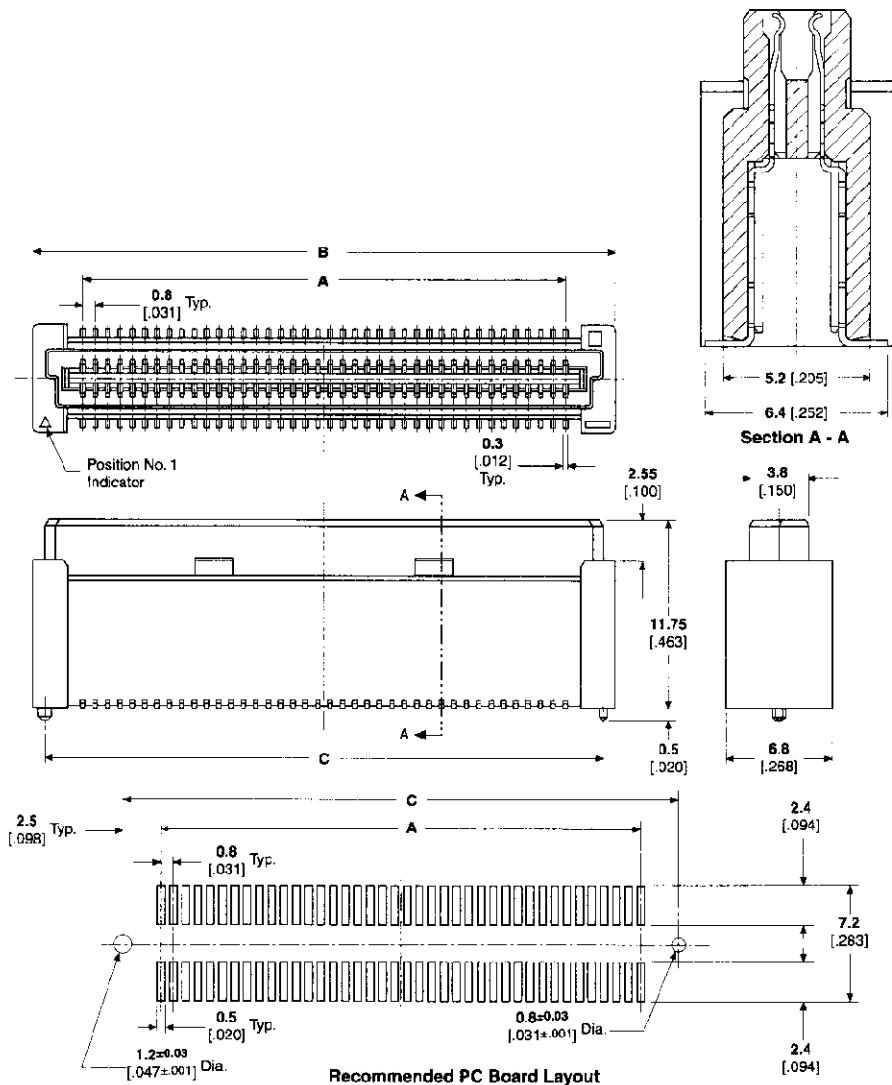
**Related Product Data:**

**Performance Characteristics** —  
Page 105

**Stacking Height Combinations** —  
Page 106

**Mating Plugs** — Page 107-110

**Technical Documents**  
**AMP Product Specification**  
 108-5390



No. of Positions	Dimensions			Receptacle Part Numbers	
	A	B	C	(Tube Packaged)	Tape Packaged*
40	15.20 .598	21.80 .858	20.20 .795	5-179010-1	84616-1
60	23.20 .913	29.80 1.173	28.20 1.110	5-179010-2	84616-2
80	31.20 1.228	37.80 1.488	36.20 1.425	5-179010-3	84616-3
100	39.20 1.543	45.80 1.803	44.20 1.740	5-179010-4	84616-4
120	47.20 1.858	53.80 2.118	52.20 2.055	5-179010-5	84616-5
140	55.20 2.173	61.80 2.433	60.20 2.370	5-179010-6	—
160	63.20 2.488	69.80 2.748	68.20 2.685	5-179010-8	—
180	71.20 2.803	77.80 3.063	76.20 3.000	5-179010-9	—
200	79.20 3.118	85.80 3.378	84.20 3.315	6-179010-0	—

\*With steel cover for automatic placement.

Mezzanine/Stacking

Standard Non-Controlled Impedance Mezzanine/Stacking Connectors



# Free Height (FH) Connectors (Continued)

## 0.8mm Free Height Vertical Receptacles, 0.8 [.031] Pitch (Continued)

**13mm Receptacles for 13 [.512], 14 [.551], 15 [.591] and 16 [.630] Stacking Heights**

**Material and Finish:**

**Housing** — High temperature thermoplastic, natural color, 94V-0 rated

**Contacts** — Beryllium copper; duplex plated 0.00020 [.000008] min. gold on contact area, 0.00100 [.00039] min. tin-lead on solder area, with entire contact underplated 0.00130 [.00051] min. nickel

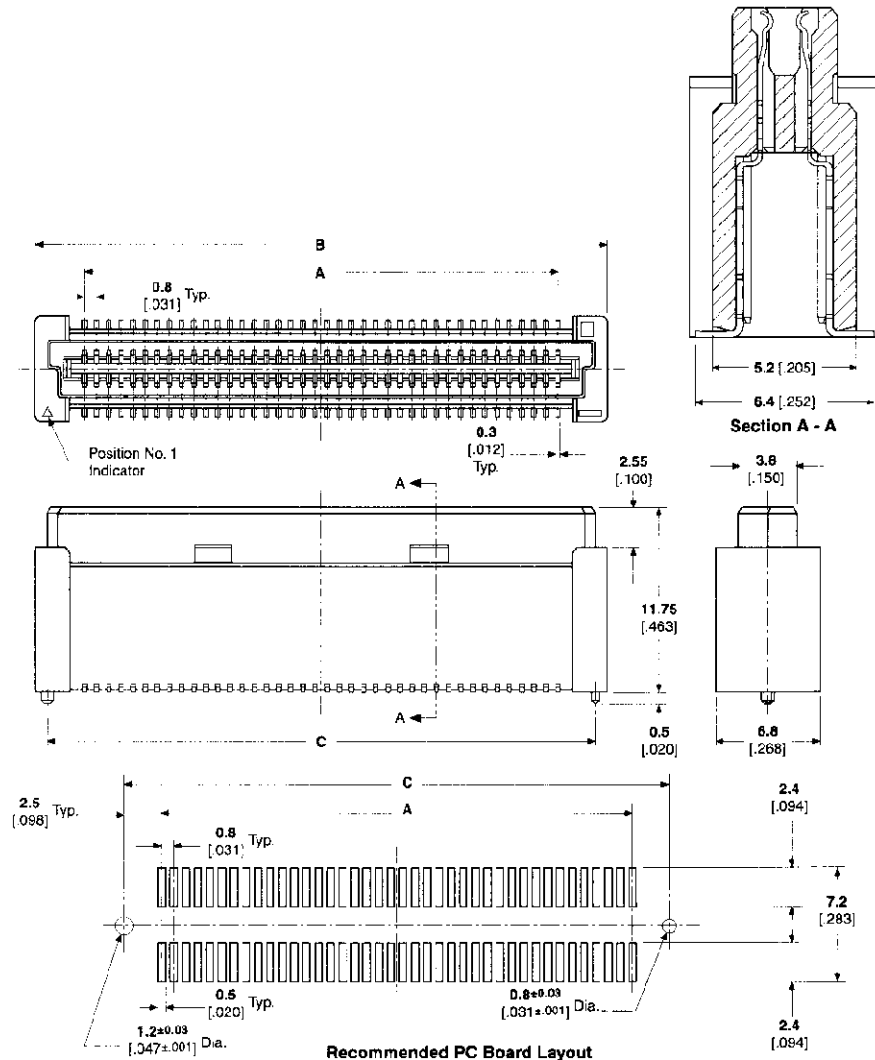
**Related Product Data:**

**Performance Characteristics** — Page 121

**Stacking Height Combinations** — Page 122

**Mating Plugs** — Page 123-126

**Technical Documents**  
**AMP Product Specification**  
1C8-5390



No. of Positions	Dimensions			Receptacle Part Numbers	
	A	B	C	(Tube Packaged)	Tape Packaged*
40	15.20 .598	21.80 .858	20.20 .795	5-179010-1	84616-1
60	23.20 .913	29.80 1.173	28.20 1.110	5-179010-2	84616-2
80	31.20 1.228	37.80 1.488	36.20 1.425	5-179010-3	84616-3
100	39.20 1.543	45.80 1.803	44.20 1.740	5-179010-4	84616-4
120	47.20 1.858	53.80 2.118	52.20 2.055	5-179010-5	84616-5
140	55.20 2.173	61.80 2.433	60.20 2.370	5-179010-6	—
160	63.20 2.468	69.80 2.748	68.20 2.685	5-179010-8	—
180	71.20 2.803	77.80 3.063	76.20 3.000	5-179010-9	—
200	79.20 3.118	85.80 3.378	84.20 3.315	6-179010-0	—

\*With steel cover for automatic placement.

Mezzanine/Stacking

Standard Non-Controlled Impedance Mezzanine/Stacking Connectors

- [Home](#)
- [Part Number Search](#)
- [Document Search](#)
- [Text Search](#)
- [Alternate Part Search](#)
- [Multiple Part Comparison](#)
- [Alphabetical Search](#)
- [Brand Search](#)
- [Industry Product Search](#)
- [Product Type Search](#)
- [Product Family Search](#)
- [Competitor Cross Reference](#)
- [Lead Free Solutions](#)
- [Help/Glossary](#)

<b>Current Brand View</b>	<a href="#">View All Tyco Electronics Brands</a> Click to activate links to all other products
AMP	

## Fine Pitch Surface-Mount Connectors (Board-to-Board Stacking)

### 0.5mm, 0.6mm, 0.8mm, 1mm Fine Pitch, Surface-Mount, Stacking Board-to-Board Connectors

AMP   
 **84616-1**   
 Active   
 [Active](#)  
**(Tyco Electronics P/N: 84616-1)**

[Search for Parts](#) | SePrevious [1] [2](#) [3](#) [4](#) [5](#) [6](#) [7](#) [Next](#) N

Document links for this part cannot be displayed. Your browser does not support inline frames or is currently configured not to display inline frames. Inline frames are supported in both Internet Explorer 5 and Netscape 6, as well as all later versions of these browsers.

Related Part Information		
General Information	eCommerce	Related Part Information
<ul style="list-style-type: none"> <li><span style="border: 1px solid red; padding: 2px;"></span> <a href="#">General Info</a></li> <li><span style="border: 1px solid red; padding: 2px;"></span> <a href="#">Sales Info</a></li> <li><span style="border: 1px solid red; padding: 2px;"></span> <a href="#">Assembly Subcontractors</a></li> </ul>	<ul style="list-style-type: none"> <li><span style="border: 1px solid red; padding: 2px;"></span> <a href="#">Pricing</a></li> <li><span style="border: 1px solid red; padding: 2px;"></span> <a href="#">Product Availability</a></li> </ul>	

**Photos & Line Drawings** - The photographs and/or line drawings are representative images of a product for viewing purposes only.

[Recommended PC Board Layout](#)

<i>Searchable Features:</i>	
<b>Brand:</b>	AMP
<b>Gender:</b>	Receptacle
<b>No. of Positions:</b>	40
<b>No. of Rows:</b>	Dual
<b>Centerline (mm [in]):</b>	0.80 [0.031]
<b>Keyed:</b>	Yes
<b>Board-to-Board Stack Height (mm [in]):</b>	13.00 [0.512], 14.00 [0.551], 15.00 [0.590], 16.00 [0.630]
<b>Contact Mating Area Plating:</b>	Gold (.2)

<i>Other Properties:</i>	
<b>Housing Material:</b>	Thermoplastic
<b>Housing Color:</b>	Natural
<b>Housing Material Flammability Rating:</b>	UL 94V-0
<b>Housing Material Temperature:</b>	High
<b>Contact Material:</b>	Beryllium Copper
<b>Solder Tail Plating:</b>	Tin-Lead over Nickel
<b>PCB Mount Angle:</b>	Vertical

<b>Locating Posts:</b>	With
<b>Vacuum Cover:</b>	Without
<b>Packaging Method:</b>	Tape Mounted

<b>Mating Connector Part No.:</b>	Stacking Ht. 13.0mm: 177984, Stacking Ht. 16.0mm: 3-177986, Stacking Ht. 15.0mm: 179030, Stacking Ht. 16.0mm: 179031, Stacking Ht. 13.0mm: 177986, Stacking Ht. 14.0mm: 179029, Stacking Ht. 14.0mm: 1-177986, Stacking Ht. 15.0mm: 2-177986
<b>Comment:</b>	Tape packaged with steel cover for automatic placement. Suffix numbers of plug and receptacle assemblies must match.

[Copyright](#) and [Privacy Statement](#)

Visit [Tyco International, Ltd.](#)

[Products](#) | [Catalog](#) | [Brands](#) | [Industries](#) | [Commerce](#) | [Supplier](#) | [Customer Service](#) | [About](#) | [Home](#)

- [Home](#)
- [Part Number Search](#)
- [Document Search](#)
- [Text Search](#)
- [Alternate Part Search](#)
- [Multiple Part Comparison](#)
- [Alphabetical Search](#)
- [Brand Search](#)
- [Industry Product Search](#)
- [Product Type Search](#)
- [Product Family Search](#)
- [Competitor Cross Reference](#)
- [Lead Free Solutions](#)
- [Help/Glossary](#)

<b>Current Brand View</b>	<a href="#">View All Tyco Electronics Brands</a> Click to activate links to all other products
<b>AMP</b>	

## Fine Pitch Surface-Mount Connectors (Board-to-Board Stacking)

### 0.5mm, 0.6mm, 0.8mm, 1mm Fine Pitch, Surface-Mount, Stacking Board-to-Board Connectors

AMP   
 **84616-2**   
 Active   
 [Active](#)  
**(Tyco Electronics P/N: 84616-2)**

[Search for Parts](#) | 
 SePrevious **[1]** [2](#) [3](#) [4](#) [5](#) [Next](#) N

Document links for this part cannot be displayed. Your browser does not support inline frames or is currently configured not to display inline frames. Inline frames are supported in both Internet Explorer 5 and Netscape 6, as well as all later versions of these browsers.

Related Part Information		
General Information	eCommerce	Related Part Information
<ul style="list-style-type: none"> <li><span style="border: 1px solid red; padding: 2px;"></span> <a href="#">General Info</a></li> <li><span style="border: 1px solid red; padding: 2px;"></span> <a href="#">Sales Info</a></li> <li><span style="border: 1px solid red; padding: 2px;"></span> <a href="#">Assembly Subcontractors</a></li> </ul>	<ul style="list-style-type: none"> <li><span style="border: 1px solid red; padding: 2px;"></span> <a href="#">Pricing</a></li> <li><span style="border: 1px solid red; padding: 2px;"></span> <a href="#">Product Availability</a></li> </ul>	

**Photos & Line Drawings** - The photographs and/or line drawings are representative images of a product for viewing purposes only.

[Recommended PC Board Layout](#)

<i>Searchable Features:</i>	
<b>Brand:</b>	AMP
<b>Gender:</b>	Receptacle
<b>No. of Positions:</b>	60
<b>No. of Rows:</b>	Dual
<b>Centerline (mm [in]):</b>	0.80 [0.031]
<b>Keyed:</b>	Yes
<b>Board-to-Board Stack Height (mm [in]):</b>	13.00 [0.512], 14.00 [0.551], 15.00 [0.590], 16.00 [0.630]
<b>Contact Mating Area Plating:</b>	Gold (.2)

<i>Other Properties:</i>	
<b>Housing Material:</b>	Thermoplastic
<b>Housing Color:</b>	Natural
<b>Housing Material Flammability Rating:</b>	UL 94V-0
<b>Housing Material Temperature:</b>	High
<b>Contact Material:</b>	Beryllium Copper
<b>Solder Tail Plating:</b>	Tin-Lead over Nickel
<b>PCB Mount Angle:</b>	Vertical

<b>Locating Posts:</b>	With
<b>Vacuum Cover:</b>	Without
<b>Packaging Method:</b>	Tape Mounted

<b>Mating Connector Part No.:</b>	Stacking Ht. 13.0mm: 177984, Stacking Ht. 16.0mm: 3-177986, Stacking Ht. 15.0mm: 179030, Stacking Ht. 16.0mm: 179031, Stacking Ht. 13.0mm: 177986, Stacking Ht. 14.0mm: 179029, Stacking Ht. 14.0mm: 1-177986, Stacking Ht. 15.0mm: 2-177986
<b>Comment:</b>	Tape packaged with steel cover for automatic placement. Suffix numbers of plug and receptacle assemblies must match.

---

[Copyright](#) and [Privacy Statement](#)

Visit [Tyco International, Ltd.](#)

[Products](#) | [Catalog](#) | [Brands](#) | [Industries](#) | [Commerce](#) | [Supplier](#) | [Customer Service](#) | [About](#) | [Home](#)