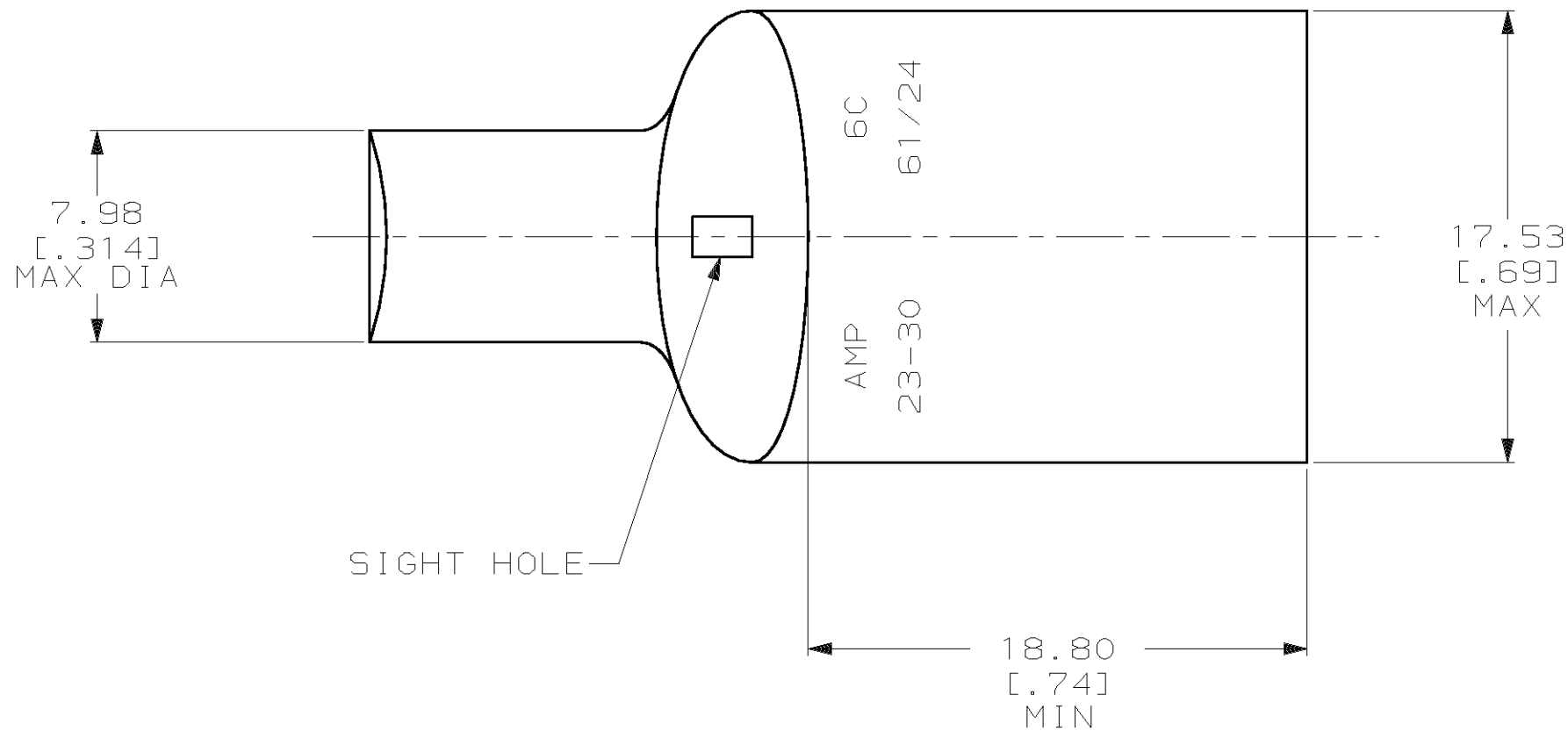
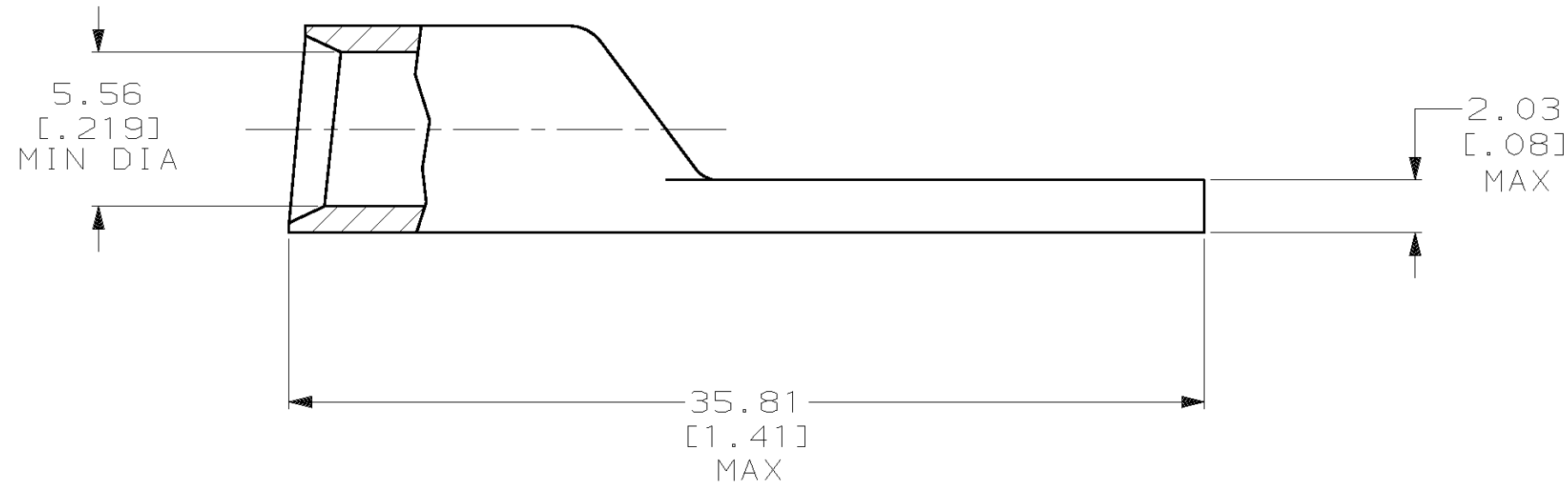


THIS DRAWING IS UNPUBLISHED. RELEASED FOR PUBLICATION
 © COPYRIGHT 19 BY AMP INCORPORATED. ALL INTERNATIONAL RIGHTS RESERVED.

LOC		DIST		P		F		ZONE		LTR		REVISIONS		DATE	APPD
G		86								5		REV / 0G10-0059-99		26APR99	ME/TM



1 CIRCULAR MIL AREA RANGE: 20,800-33,100 CM
 2 TIN PL 0.00381 [.00150] THK PER ASTM B 545



METRIC

DO NOT SCALE PRINT. UNLESS SPECIFIED DIMENSIONS IN mm [INCHES] TOLERANCES ON : 2 PLC DEC ± 0.51 [.020] 3 PLC DEC ± - ANGLES ± -		DR 02/28/90 DK 5CHRUM		AMP INCORPORATED Harrisburg, Pa. 17105	
MATERIAL ANNEALED COPPER ASTM B-152		CHK 19JAN95 MS FEHER			
FINISH 		APPD 19JAN95 TL SHUTTER		NAME TERMINAL, AMPOWER™, WIRE SIZE: 6 AWG	
APPLICATION SPEC -		PRODUCT SPEC 108-30200		SIZE C	CAGE CODE 00779
WEIGHT .017 LB		APPLICATION SPEC -		SCALE 4:1	DRAWING NO 328140
				SHEET 1 OF 1	

328140

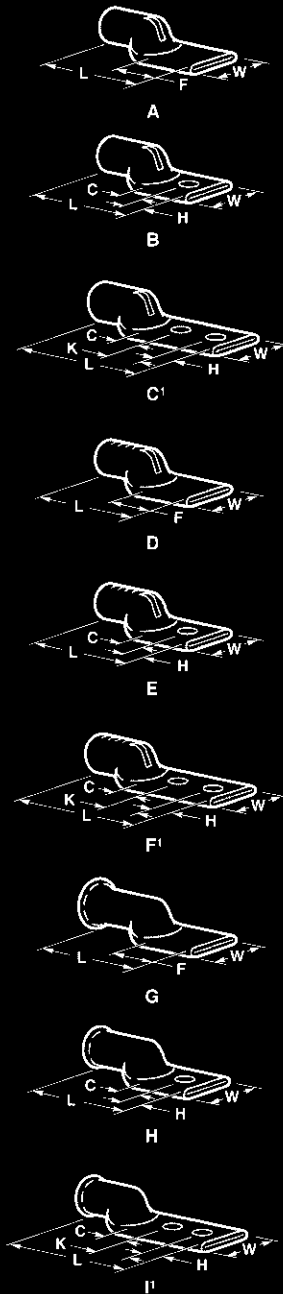
328140
PART NO

Terminals

Base Material:

Annealed Copper
(ASTM B-188)

Electrodeposited Tin Plate
(MIL-T-10727)



Wire Size	Wire Range	Barrel I.D. Min.	Tongue Thickness Max.	Style	Stud Size	Dimensions					Part Number			
						L Max.	H Max.	C Min.	K	F Min.		W Max.		
6 AWG ² 13-15 mm ²	20,800- 33,100 CM	.219 5.56	.08 2.03	A	—	1.41	—	—	—	.74	17.53	328140		
						35.81	—	—	—	18.80	17.53	328140		
						10	1.41	.32	.42	—	—	.69	328141	
						—	35.81	8.13	10.67	—	—	17.53	328141	
						1/4 M6	1.41	.32	.42	—	—	.69	328142	
						—	35.81	8.13	10.67	—	—	17.53	328142	
						5/16 M8	1.41	.32	.42	—	—	.69	328143	
						—	35.81	8.13	10.67	—	—	17.53	328143	
						3/8	1.41	.32	.42	—	—	.69	328144	
						—	35.81	8.13	10.67	—	—	17.53	328144	
4 AWG ² 21 mm ²	33,100- 52,600 CM	.275 6.99	.08 2.03	A	—	1.41	—	—	—	.74	17.53	328160		
						35.81	—	—	—	18.80	17.53	328160		
						1/4 M6	1.41	.32	.42	—	—	.69	328162	
						—	35.81	8.13	10.67	—	—	17.53	328162	
						5/16 M8	1.41	.32	.42	—	—	.69	328163	
						—	35.81	8.13	10.67	—	—	17.53	328163	
						3/8	1.41	.32	.42	—	—	.69	328164	
						—	35.81	8.13	10.67	—	—	17.53	328164	
						1/2 M12	1.46	.40	.43	—	—	.77	328178	
						—	37.08	10.16	10.92	—	—	19.56	328178	
2 AWG 34-35 mm ²	52,600- 83,700 CM	.362 9.19	.09 2.29	A	—	1.62	—	—	—	.82	18.03	325200		
						41.15	—	—	—	20.83	18.03	325200		
						1/4 M6	1.62	.34	.50	—	—	.71	325201	
						—	41.15	8.64	12.70	—	—	18.03	325201	
						5/16 M8	1.62	.34	.50	—	—	.71	325202	
						—	41.15	8.64	12.70	—	—	18.03	325202	
						3/8	1.62	.34	.50	—	—	.71	325203	
						—	41.15	8.64	12.70	—	—	18.03	325203	
						A	2.62	—	—	—	1.83	.71	325207	
						—	66.55	—	—	—	46.48	18.03	325207	
1/0 AWG 50-60 mm ²	83,700- 119,500 CM	.458 11.63	.10 2.54	B	1/2 M12	1.70	.41	.50	—	—	.78	325250		
						43.18	10.41	12.70	—	—	19.81	325250		
						3/8	2.63	.34	.50	1.00	—	.71	326799	
						—	66.80	8.64	12.70	25.40	—	18.03	326799	
						A	1.97	—	—	—	1.03	.87	325300	
						—	50.04	—	—	—	26.16	22.10	325300	
						A	3.05	—	—	—	2.03	.87	325308	
						—	77.47	—	—	—	51.56	22.10	325308	
						G	4.24	—	—	—	2.83	.87	325318	
						—	107.70	—	—	—	71.88	22.10	325318	
1/0 AWG 50-60 mm ²	83,700- 119,500 CM	.458 11.63	.10 2.54	B	1/4 M6	1.97	.42	.62	—	—	.87	325301		
						50.04	10.67	15.75	—	—	22.10	325301		
						5/16 M8	1.97	.42	.62	—	—	.87	325302	
						50.04	10.67	15.75	—	—	22.10	325302		
						3/8	1.97	.42	.62	—	—	.87	325303	
						—	50.04	10.67	15.75	—	—	22.10	325303	
						7/16	1.97	.42	.62	—	—	.87	325304	
						—	50.04	10.67	15.75	—	—	22.10	325304	
						C	2.94	.42	.62	—	1.00	.87	328169	
						—	74.68	10.67	15.75	—	25.40	22.10	328169	
1/0 AWG 50-60 mm ²	83,700- 119,500 CM	.458 11.63	.10 2.54	B	1/2 M12	1.97	.42	.62	—	—	.87	325305		
						50.04	10.67	15.75	—	—	22.10	325305		
						C	2.98	.42	.62	1.00	—	.87	326800	
						—	75.69	10.67	15.75	25.40	—	22.10	326800	
						I	1/2	4.27	.42	.62	1.75	—	.87	53680-2
						—	108.46	10.67	15.75	44.45	—	22.10	53680-2	

¹ Per NEMA specification.

² Terminals for wire sizes 6 AWG and 4 AWG are manufactured from annealed copper per ASTM B-152.

- [Home](#)
- [Part Number Search](#)
- [Document Search](#)
- [Text Search](#)
- [Alternate Part Search](#)
- [Multiple Part Comparison](#)
- [Alphabetical Search](#)
- [Brand Search](#)
- [Industry Product Search](#)
- [Product Type Search](#)
- [Product Family Search](#)
- [Competitor Cross Reference](#)
- [Lead Free Solutions](#)
- [Help/Glossary](#)

Current Brand View	View All Tyco Electronics Brands Click to activate links to all other products
AMP	

Terminals and Splices

AMP AMPOWER Terminals

AMP **328140** Active [Active](#)

(Tyco Electronics P/N: 328140)

[Search for Parts](#) | S [Previous](#) [[1](#)] [2](#) [3](#) [4](#) [5](#) [6](#) [Next](#) [[N](#)]

Document links for this part cannot be displayed. Your browser does not support inline frames or is currently configured not to display inline frames. Inline frames are supported in both Internet Explorer 5 and Netscape 6, as well as all later versions of these browsers.

Related Part Information		
General Information	eCommerce	Related Part Information
<ul style="list-style-type: none"> General Info Sales Info Assembly Subcontractors 	<ul style="list-style-type: none"> Pricing Product Availability 	

Searchable Features:	
Brand:	AMP
Application:	Power Generation and Distribution
Wire Size (AWG/CM):	6 AWG [13-15 ²]
Wire Range (CMA):	20,800 – 33,100
Terminal Type:	Standard
No. of Holes:	0
Barrel I.D. Min. (mm [in]):	5.56 [0.219]
Barrel Length:	Standard
Inspection Slot:	With

Other Properties:	
Body Style:	Straight
Tongue Material Thickness (mm [in]):	2.03 [0.080]
Material:	Copper
Finish:	Tin
Packaging Quantity:	100
Comment:	Electrodeposited Tin Plate per MIL-T-10727. Terminals are manufactured from annealed Copper per ASTM B-152.

[Copyright](#) and [Privacy Statement](#)

Visit [Tyco International, Ltd.](#)

[Products](#) | [Catalog](#) | [Brands](#) | [Industries](#) | [Commerce](#) | [Supplier](#) | [Customer Service](#) | [About](#) | [Home](#)