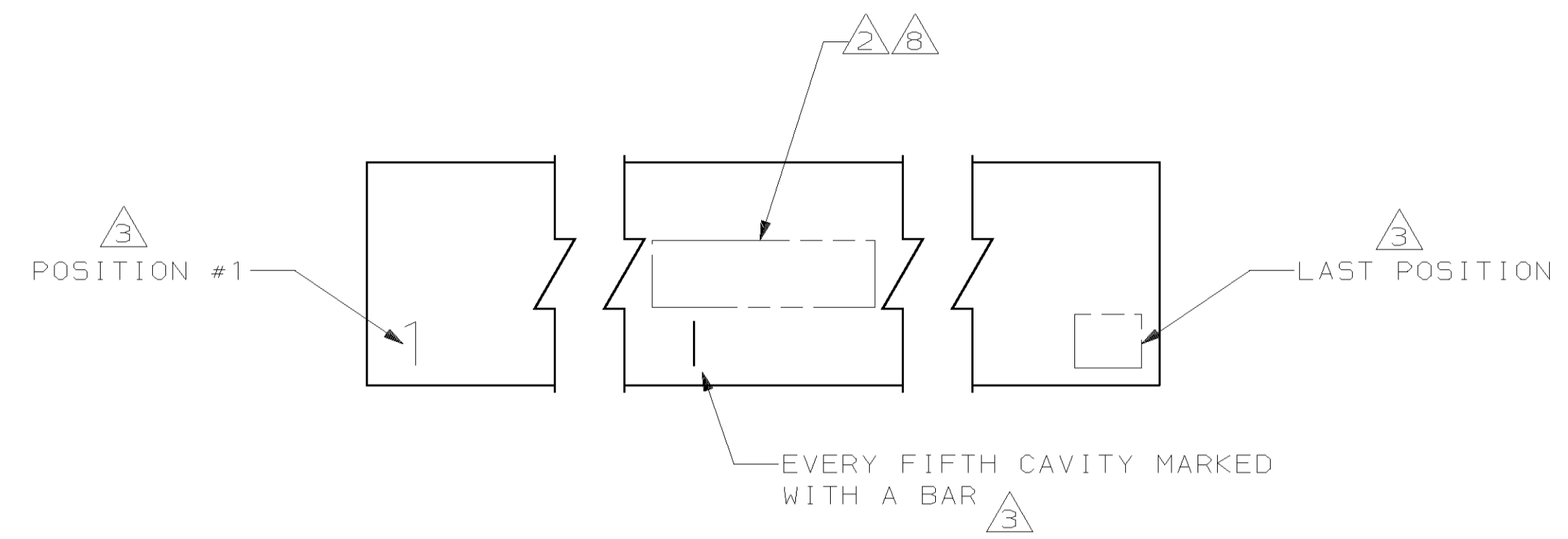
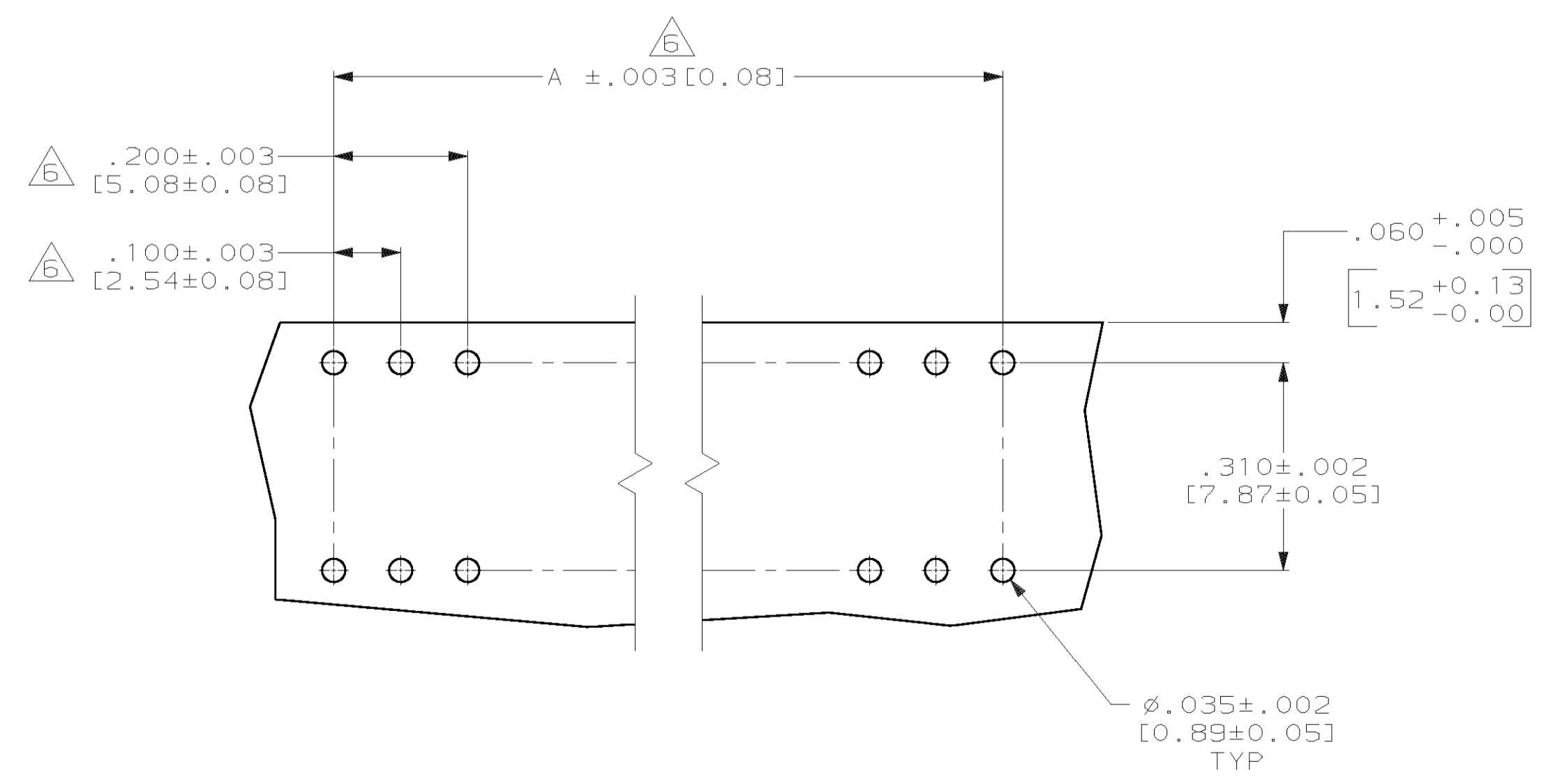
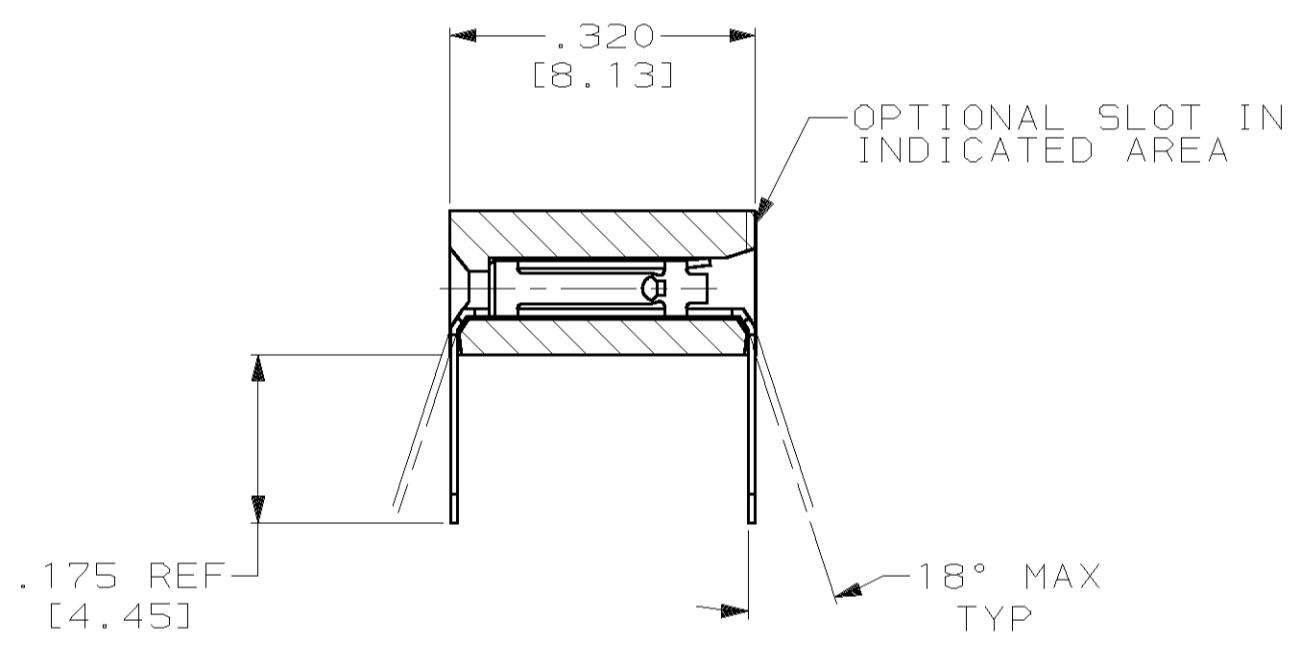
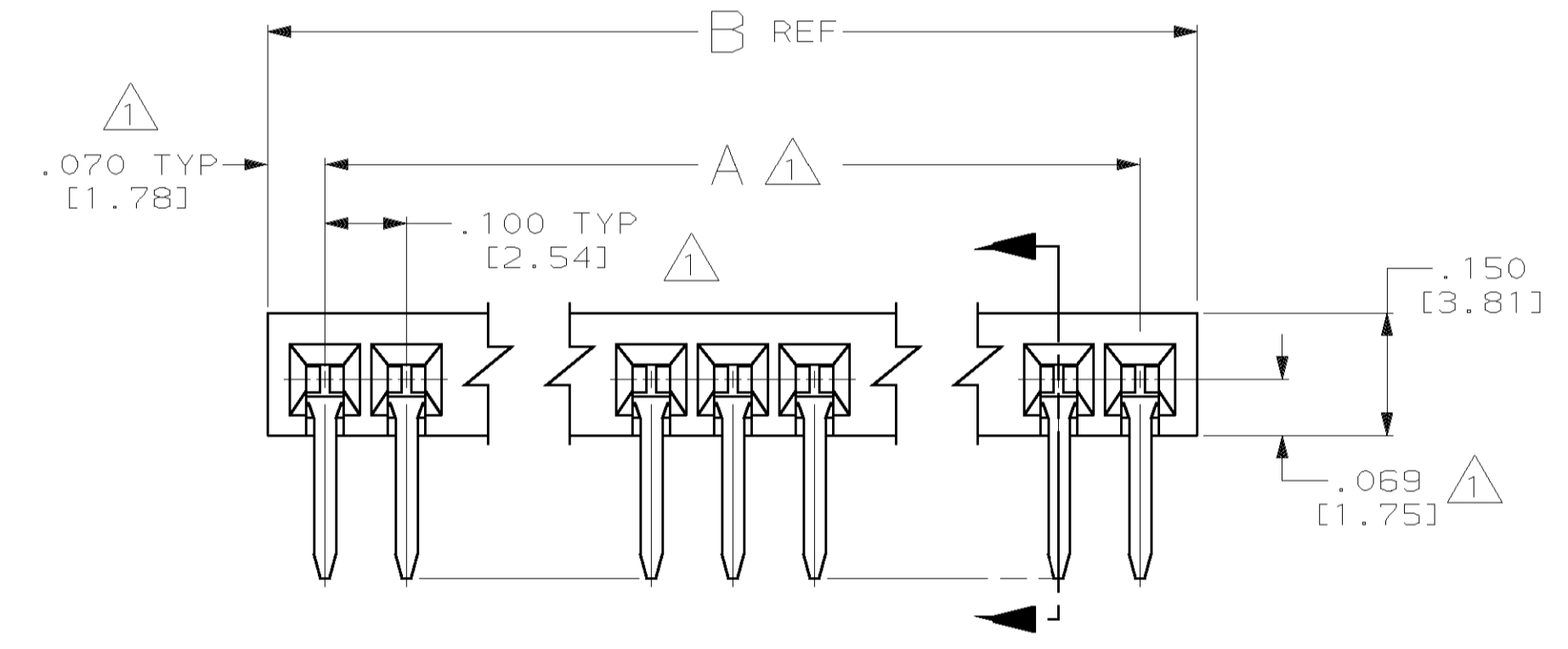


LOC	DIST	REV	DATE	BY	APPV
DF	ZO	G	11-00	CT	DN



- 1 THESE DIMENSIONS PERTAIN TO CAVITY CENTERLINES ONLY, NOT TO CONTACT LOCATIONS.
- 2 WHEN PART IS PHYSICALLY TOO SMALL FOR THIS INFORMATION (SMALLER THAN 10 POSN) MARK AS FOLLOWS:
2, 3 & 4 POSN - "AMP" ONLY
5 THRU 9 POSN - MILITARY PART NO ONLY
- 3 MARK .062±.015 (1.57±0.38) HIGH CHARACTERS AS SHOWN.
- 4. QUALITY CONFORMANCE INSPECTION PER MIL-C-55302. GROUP A, B & C.
- 5. PACKAGED PER MIL-C-55302.
- 6 TOLERANCE NON-CUMULATIVE.
- 7. MARK "CSA" LOGO ON PART.
- 8 MILITARY PART NUMBER (SEE TABLE), AMP AND DATE CODE MARKED .062±.015 (1.57±0.38) HIGH CHARACTERS IN APPROXIMATE AREA SHOWN.
- 9 HOUSING MATERIAL: DIALYL PHTHALATE, COLOR: BLUE.
CONTACT MATERIAL: PHOSPHOR BRONZE.
- 10 CONTACT FINISH: .000050 [0.00127] GOLD OVER .000050 [0.00127] - .000100 [0.00254] NICKEL.



RECOMMENDED P.C. BOARD HOLE LAYOUT

THIS DRAWING IS A CONTROLLED DOCUMENT.		DWN T. ALEXANDER 11-8-96	AMP Incorporated Harrisburg, PA 17105-3608
DIMENSIONS: INCHES (mm)		CHK G. ALTEMOSE 11-8-96	NAME HOUSING ASSEMBLY, MOD II, SINGLE ROW, .100 ϕ
TOLERANCES UNLESS OTHERWISE SPECIFIED:		APPV G. ALTEMOSE 11-8-96	SIZE A1
0 PLC ±-	1 PLC ±-	PRODUCT SPEC	CAGE CODE 00779
2 PLC ±-	3 PLC ±.010 (0.25)	APPLICATION SPEC	DRAWING NO C-102275
4 PLC ±-	ANGLES ±-	WEIGHT	SCALE 5:1
MATERIAL	FINISH	CUSTOMER DRAWING	SHEET 1 OF 2
			REV 6

M55302/127-653B	6.540 [166.12]	6.400 [162.56]	65	6-102275-4
M55302/127-643B	6.440 [163.58]	6.300 [160.02]	64	6-102275-3
M55302/127-633B	6.340 [161.04]	6.200 [157.48]	63	6-102275-2
M55302/127-623B	6.240 [158.50]	6.100 [154.94]	62	6-102275-1
M55302/127-613B	6.140 [155.96]	6.000 [152.40]	61	6-102275-0
M55302/127-603B	6.040 [153.42]	5.900 [149.86]	60	5-102275-9
M55302/127-593B	5.940 [150.88]	5.800 [147.32]	59	5-102275-8
M55302/127-583B	5.840 [148.34]	5.700 [144.78]	58	5-102275-7
M55302/127-573B	5.740 [145.80]	5.600 [142.24]	57	5-102275-6
M55302/127-563B	5.640 [143.26]	5.500 [139.70]	56	5-102275-5
M55302/127-553B	5.540 [140.72]	5.400 [137.16]	55	5-102275-4
M55302/127-543B	5.440 [138.18]	5.300 [134.62]	54	5-102275-3
M55302/127-533B	5.340 [135.64]	5.200 [132.08]	53	5-102275-2
M55302/127-523B	5.240 [133.10]	5.100 [129.54]	52	5-102275-1
M55302/127-513B	5.140 [130.56]	5.000 [127.00]	51	5-102275-0
M55302/127-503B	5.040 [128.02]	4.900 [124.46]	50	4-102275-9
M55302/127-493B	4.940 [125.48]	4.800 [121.92]	49	4-102275-8
M55302/127-483B	4.840 [122.94]	4.700 [119.38]	48	4-102275-7
M55302/127-473B	4.740 [120.40]	4.600 [116.84]	47	4-102275-6
M55302/127-463B	4.640 [117.86]	4.500 [114.30]	46	4-102275-5
M55302/127-453B	4.540 [115.32]	4.400 [111.76]	45	4-102275-4
M55302/127-443B	4.440 [112.78]	4.300 [109.22]	44	4-102275-3
M55302/127-433B	4.340 [110.24]	4.200 [106.68]	43	4-102275-2
M55302/127-423B	4.240 [107.70]	4.100 [104.14]	42	4-102275-1
M55302/127-413B	4.140 [105.16]	4.000 [101.60]	41	4-102275-0
M55302/127-403B	4.040 [102.62]	3.900 [99.06]	40	3-102275-9
M55302/127-393B	3.940 [100.08]	3.800 [96.52]	39	3-102275-8
M55302/127-383B	3.840 [97.54]	3.700 [93.98]	38	3-102275-7
M55302/127-373B	3.740 [95.00]	3.600 [91.44]	37	3-102275-6
MILITARY PART NUMBER	B	A	NO OF POSN	PART NUMBER

M55302/127-363B	3.640 [92.46]	3.500 [88.90]	36	3-102275-5
M55302/127-353B	3.540 [89.92]	3.400 [86.36]	35	3-102275-4
M55302/127-343B	3.440 [87.38]	3.300 [83.82]	34	3-102275-3
M55302/127-333B	3.340 [84.84]	3.200 [81.28]	33	3-102275-2
M55302/127-323B	3.240 [82.30]	3.100 [78.74]	32	3-102275-1
M55302/127-313B	3.140 [79.76]	3.000 [76.20]	31	3-102275-0
M55302/127-303B	3.040 [77.22]	2.900 [73.66]	30	2-102275-9
M55302/127-293B	2.940 [74.68]	2.800 [71.12]	29	2-102275-8
M55302/127-283B	2.840 [72.14]	2.700 [68.58]	28	2-102275-7
M55302/127-273B	2.740 [69.60]	2.600 [66.04]	27	2-102275-6
M55302/127-263B	2.640 [67.06]	2.500 [63.50]	26	2-102275-5
M55302/127-253B	2.540 [64.52]	2.400 [60.96]	25	2-102275-4
M55302/127-243B	2.440 [61.98]	2.300 [58.42]	24	2-102275-3
M55302/127-233B	2.340 [59.44]	2.200 [55.88]	23	2-102275-2
M55302/127-223B	2.240 [56.90]	2.100 [53.34]	22	2-102275-1
M55302/127-213B	2.140 [54.36]	2.000 [50.80]	21	2-102275-0
M55302/127-203B	2.040 [51.82]	1.900 [48.26]	20	1-102275-9
M55302/127-193B	1.940 [49.28]	1.800 [45.72]	19	1-102275-8
M55302/127-183B	1.840 [46.74]	1.700 [43.18]	18	1-102275-7
M55302/127-173B	1.740 [44.20]	1.600 [40.64]	17	1-102275-6
M55302/127-163B	1.640 [41.66]	1.500 [38.10]	16	1-102275-5
M55302/127-153B	1.540 [39.12]	1.400 [35.56]	15	1-102275-4
M55302/127-143B	1.440 [36.58]	1.300 [33.02]	14	1-102275-3
M55302/127-133B	1.340 [34.04]	1.200 [30.48]	13	1-102275-2
M55302/127-123B	1.240 [31.50]	1.100 [27.94]	12	1-102275-1
M55302/127-113B	1.140 [28.96]	1.000 [25.40]	11	1-102275-0
M55302/127-103B	1.040 [26.41]	.900 [22.86]	10	102275-9
M55302/127-093B	.940 [23.88]	.800 [20.32]	9	102275-8
M55302/127-083B	.840 [21.34]	.700 [17.78]	8	102275-7
M55302/127-073B	.740 [18.80]	.600 [15.24]	7	102275-6
M55302/127-063B	.640 [16.27]	.500 [12.70]	6	102275-5
M55302/127-053B	.540 [13.72]	.400 [10.16]	5	102275-4
M55302/127-043B	.440 [11.18]	.300 [7.62]	4	102275-3
M55302/127-033B	.340 [8.64]	.200 [5.08]	3	102275-2
M55302/127-023B	.240 [6.10]	.100 [2.54]	2	102275-1
MILITARY PART NUMBER	B	A	NO OF POSN	PART NUMBER

THIS DRAWING IS A CONTROLLED DOCUMENT. DIMENSIONS IN INCHES. TOLERANCES UNLESS OTHERWISE SPECIFIED.		DWG: T. ALEXANDER 6-17-96 CHK: G. ALTEMOSE 11-8-96 APPV: G. ALTEMOSE 11-8-96	AMP Incorporated Harrisburg, PA 17105-3608																																																																																																																																																																																																						
<table border="1"> <tr><td>0</td><td>PLC</td><td>±.005</td></tr> <tr><td>1</td><td>PLC</td><td>±.005</td></tr> <tr><td>2</td><td>PLC</td><td>±.005</td></tr> <tr><td>3</td><td>PLC</td><td>±.005</td></tr> <tr><td>4</td><td>PLC</td><td>±.005</td></tr> <tr><td>5</td><td>PLC</td><td>±.005</td></tr> <tr><td>6</td><td>PLC</td><td>±.005</td></tr> <tr><td>7</td><td>PLC</td><td>±.005</td></tr> <tr><td>8</td><td>PLC</td><td>±.005</td></tr> <tr><td>9</td><td>PLC</td><td>±.005</td></tr> <tr><td>10</td><td>PLC</td><td>±.005</td></tr> <tr><td>11</td><td>PLC</td><td>±.005</td></tr> <tr><td>12</td><td>PLC</td><td>±.005</td></tr> <tr><td>13</td><td>PLC</td><td>±.005</td></tr> <tr><td>14</td><td>PLC</td><td>±.005</td></tr> <tr><td>15</td><td>PLC</td><td>±.005</td></tr> <tr><td>16</td><td>PLC</td><td>±.005</td></tr> <tr><td>17</td><td>PLC</td><td>±.005</td></tr> <tr><td>18</td><td>PLC</td><td>±.005</td></tr> <tr><td>19</td><td>PLC</td><td>±.005</td></tr> <tr><td>20</td><td>PLC</td><td>±.005</td></tr> <tr><td>21</td><td>PLC</td><td>±.005</td></tr> <tr><td>22</td><td>PLC</td><td>±.005</td></tr> <tr><td>23</td><td>PLC</td><td>±.005</td></tr> <tr><td>24</td><td>PLC</td><td>±.005</td></tr> <tr><td>25</td><td>PLC</td><td>±.005</td></tr> <tr><td>26</td><td>PLC</td><td>±.005</td></tr> <tr><td>27</td><td>PLC</td><td>±.005</td></tr> <tr><td>28</td><td>PLC</td><td>±.005</td></tr> <tr><td>29</td><td>PLC</td><td>±.005</td></tr> <tr><td>30</td><td>PLC</td><td>±.005</td></tr> <tr><td>31</td><td>PLC</td><td>±.005</td></tr> <tr><td>32</td><td>PLC</td><td>±.005</td></tr> <tr><td>33</td><td>PLC</td><td>±.005</td></tr> <tr><td>34</td><td>PLC</td><td>±.005</td></tr> <tr><td>35</td><td>PLC</td><td>±.005</td></tr> <tr><td>36</td><td>PLC</td><td>±.005</td></tr> <tr><td>37</td><td>PLC</td><td>±.005</td></tr> <tr><td>38</td><td>PLC</td><td>±.005</td></tr> <tr><td>39</td><td>PLC</td><td>±.005</td></tr> <tr><td>40</td><td>PLC</td><td>±.005</td></tr> <tr><td>41</td><td>PLC</td><td>±.005</td></tr> <tr><td>42</td><td>PLC</td><td>±.005</td></tr> <tr><td>43</td><td>PLC</td><td>±.005</td></tr> <tr><td>44</td><td>PLC</td><td>±.005</td></tr> <tr><td>45</td><td>PLC</td><td>±.005</td></tr> <tr><td>46</td><td>PLC</td><td>±.005</td></tr> <tr><td>47</td><td>PLC</td><td>±.005</td></tr> <tr><td>48</td><td>PLC</td><td>±.005</td></tr> <tr><td>49</td><td>PLC</td><td>±.005</td></tr> <tr><td>50</td><td>PLC</td><td>±.005</td></tr> <tr><td>51</td><td>PLC</td><td>±.005</td></tr> <tr><td>52</td><td>PLC</td><td>±.005</td></tr> <tr><td>53</td><td>PLC</td><td>±.005</td></tr> <tr><td>54</td><td>PLC</td><td>±.005</td></tr> <tr><td>55</td><td>PLC</td><td>±.005</td></tr> <tr><td>56</td><td>PLC</td><td>±.005</td></tr> <tr><td>57</td><td>PLC</td><td>±.005</td></tr> <tr><td>58</td><td>PLC</td><td>±.005</td></tr> <tr><td>59</td><td>PLC</td><td>±.005</td></tr> <tr><td>60</td><td>PLC</td><td>±.005</td></tr> <tr><td>61</td><td>PLC</td><td>±.005</td></tr> <tr><td>62</td><td>PLC</td><td>±.005</td></tr> <tr><td>63</td><td>PLC</td><td>±.005</td></tr> <tr><td>64</td><td>PLC</td><td>±.005</td></tr> <tr><td>65</td><td>PLC</td><td>±.005</td></tr> </table>		0	PLC	±.005	1	PLC	±.005	2	PLC	±.005	3	PLC	±.005	4	PLC	±.005	5	PLC	±.005	6	PLC	±.005	7	PLC	±.005	8	PLC	±.005	9	PLC	±.005	10	PLC	±.005	11	PLC	±.005	12	PLC	±.005	13	PLC	±.005	14	PLC	±.005	15	PLC	±.005	16	PLC	±.005	17	PLC	±.005	18	PLC	±.005	19	PLC	±.005	20	PLC	±.005	21	PLC	±.005	22	PLC	±.005	23	PLC	±.005	24	PLC	±.005	25	PLC	±.005	26	PLC	±.005	27	PLC	±.005	28	PLC	±.005	29	PLC	±.005	30	PLC	±.005	31	PLC	±.005	32	PLC	±.005	33	PLC	±.005	34	PLC	±.005	35	PLC	±.005	36	PLC	±.005	37	PLC	±.005	38	PLC	±.005	39	PLC	±.005	40	PLC	±.005	41	PLC	±.005	42	PLC	±.005	43	PLC	±.005	44	PLC	±.005	45	PLC	±.005	46	PLC	±.005	47	PLC	±.005	48	PLC	±.005	49	PLC	±.005	50	PLC	±.005	51	PLC	±.005	52	PLC	±.005	53	PLC	±.005	54	PLC	±.005	55	PLC	±.005	56	PLC	±.005	57	PLC	±.005	58	PLC	±.005	59	PLC	±.005	60	PLC	±.005	61	PLC	±.005	62	PLC	±.005	63	PLC	±.005	64	PLC	±.005	65	PLC	±.005	NAME: HOUSING ASSEMBLY, MOD II, SINGLE ROW, .100 ⌀ SIZE: A1 CAGE CODE: 00779 DRAWING NO: 102275 WEIGHT: CUSTOMER DRAWING SCALE: 5:1 SHEET: 2 OF 2 REV: 6	
0	PLC	±.005																																																																																																																																																																																																							
1	PLC	±.005																																																																																																																																																																																																							
2	PLC	±.005																																																																																																																																																																																																							
3	PLC	±.005																																																																																																																																																																																																							
4	PLC	±.005																																																																																																																																																																																																							
5	PLC	±.005																																																																																																																																																																																																							
6	PLC	±.005																																																																																																																																																																																																							
7	PLC	±.005																																																																																																																																																																																																							
8	PLC	±.005																																																																																																																																																																																																							
9	PLC	±.005																																																																																																																																																																																																							
10	PLC	±.005																																																																																																																																																																																																							
11	PLC	±.005																																																																																																																																																																																																							
12	PLC	±.005																																																																																																																																																																																																							
13	PLC	±.005																																																																																																																																																																																																							
14	PLC	±.005																																																																																																																																																																																																							
15	PLC	±.005																																																																																																																																																																																																							
16	PLC	±.005																																																																																																																																																																																																							
17	PLC	±.005																																																																																																																																																																																																							
18	PLC	±.005																																																																																																																																																																																																							
19	PLC	±.005																																																																																																																																																																																																							
20	PLC	±.005																																																																																																																																																																																																							
21	PLC	±.005																																																																																																																																																																																																							
22	PLC	±.005																																																																																																																																																																																																							
23	PLC	±.005																																																																																																																																																																																																							
24	PLC	±.005																																																																																																																																																																																																							
25	PLC	±.005																																																																																																																																																																																																							
26	PLC	±.005																																																																																																																																																																																																							
27	PLC	±.005																																																																																																																																																																																																							
28	PLC	±.005																																																																																																																																																																																																							
29	PLC	±.005																																																																																																																																																																																																							
30	PLC	±.005																																																																																																																																																																																																							
31	PLC	±.005																																																																																																																																																																																																							
32	PLC	±.005																																																																																																																																																																																																							
33	PLC	±.005																																																																																																																																																																																																							
34	PLC	±.005																																																																																																																																																																																																							
35	PLC	±.005																																																																																																																																																																																																							
36	PLC	±.005																																																																																																																																																																																																							
37	PLC	±.005																																																																																																																																																																																																							
38	PLC	±.005																																																																																																																																																																																																							
39	PLC	±.005																																																																																																																																																																																																							
40	PLC	±.005																																																																																																																																																																																																							
41	PLC	±.005																																																																																																																																																																																																							
42	PLC	±.005																																																																																																																																																																																																							
43	PLC	±.005																																																																																																																																																																																																							
44	PLC	±.005																																																																																																																																																																																																							
45	PLC	±.005																																																																																																																																																																																																							
46	PLC	±.005																																																																																																																																																																																																							
47	PLC	±.005																																																																																																																																																																																																							
48	PLC	±.005																																																																																																																																																																																																							
49	PLC	±.005																																																																																																																																																																																																							
50	PLC	±.005																																																																																																																																																																																																							
51	PLC	±.005																																																																																																																																																																																																							
52	PLC	±.005																																																																																																																																																																																																							
53	PLC	±.005																																																																																																																																																																																																							
54	PLC	±.005																																																																																																																																																																																																							
55	PLC	±.005																																																																																																																																																																																																							
56	PLC	±.005																																																																																																																																																																																																							
57	PLC	±.005																																																																																																																																																																																																							
58	PLC	±.005																																																																																																																																																																																																							
59	PLC	±.005																																																																																																																																																																																																							
60	PLC	±.005																																																																																																																																																																																																							
61	PLC	±.005																																																																																																																																																																																																							
62	PLC	±.005																																																																																																																																																																																																							
63	PLC	±.005																																																																																																																																																																																																							
64	PLC	±.005																																																																																																																																																																																																							
65	PLC	±.005																																																																																																																																																																																																							

Current Brand View

AMP

[View All Tyco Electronics Brands](#)

Click to activate links to all other products

AMPMODU

.100 & .150 Centerline Receptacle Assemblies, End Stackable

AMP

102275-1 -- 8 of 9 products

Active

[Active](#)

(Tyco Electronics P/N: 102275-1)

Previous	Next	Sales Information	AMP ACES	Step Search Screen
			Related Documents	General Information
			Pricing	Product Availability

Please use the customer drawing for all design activity.

- Customer Drawing: 102275, Rev. G

Document Title: HOUSING ASSEMBLY, MOD II, SINGLE ROW,
.100 CL

[213169.pdf](#) [213169.pdf](#) (156K)

Searchable Features:

Brand:	AMP
No. of Positions:	2
No. of Rows:	Single
Profile:	Standard
Mount Angle:	Right Angle
Mounting Pattern (mm [in]):	2.54 x 7.87 [.100 x .310]
Contact Type:	Dual Tine
Military Qualification:	Yes
Centerline, Matrix (mm [in]):	2.54 [.100]
Military Part Number:	M55302/127-023B
Contact Mating Area Plating:	Gold (50) over Nickel
Closed Entry:	Yes

Other Properties:

Housing Material:	Diallyl Phthalate
Housing Color:	Blue
Contact Material:	Phosphor Bronze
PCB Thickness (mm [in]):	3.18 [0.125]
Keying Plug Number:	102188-1
Military Specification:	MIL-C-55302

- [Home](#)
- [Part Number Search](#)
- [Text Search](#)
- [Alternate Part Search](#)
- [Multiple Part Comparison](#)
- [Alphabetical Search](#)
- [Brand Search](#)
- [Industry Product Search](#)
- [Product Type Search](#)
- [Product Family Search](#)
- [Competitor Cross Reference](#)
- [Document Number Search](#)
- [Lead Free Solutions](#)
- [Help/Glossary](#)

Side Stackable:	No
High Temperature Compatible:	No
Connector Series:	Mod. II
Termination Post Length (mm [in]):	4.45 [0.175]

[Copyright](#) and [Privacy Statement](#)

Visit [Tyco International, Ltd.](#)

[Products](#) | [eCatalog](#) | [Brands](#) | [Industries](#) | [eCommerce](#) | [Customer Service](#) | [About](#) | [Home](#)