

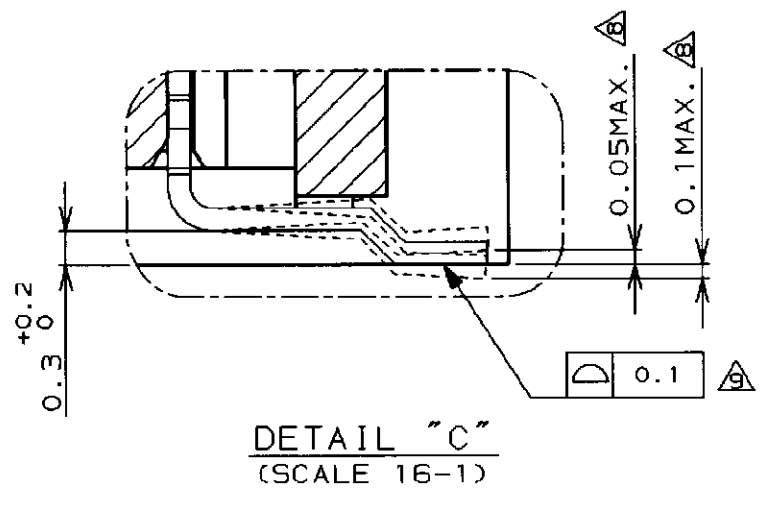
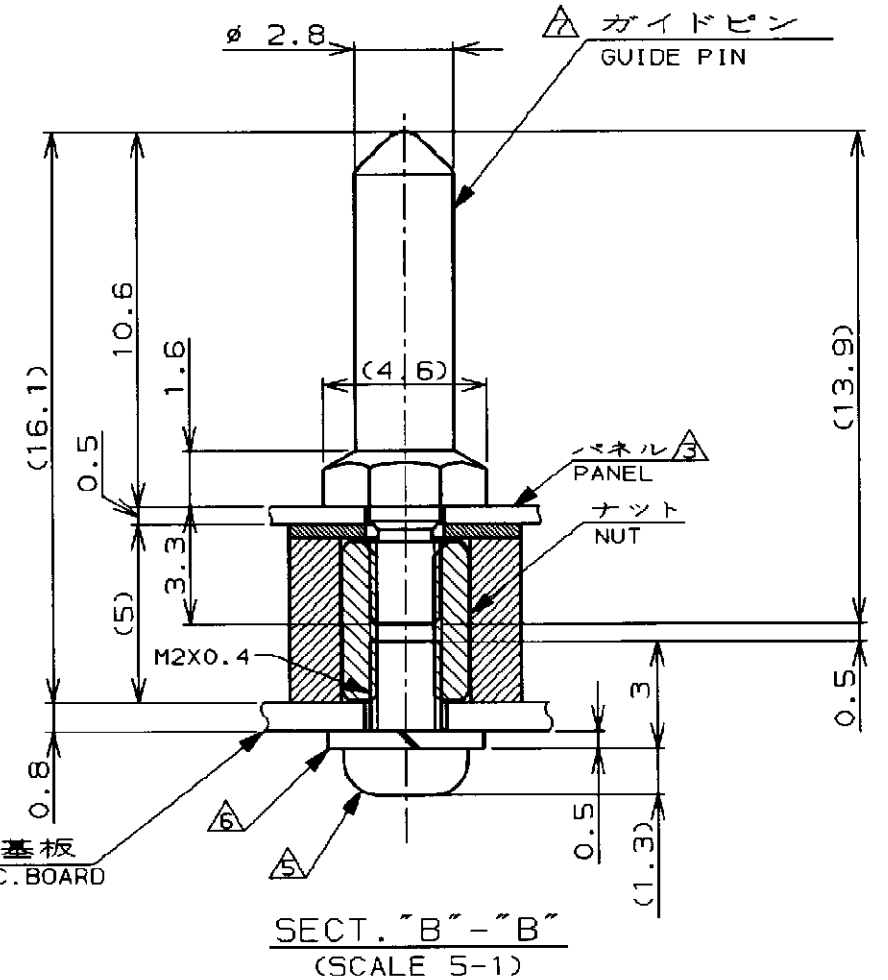
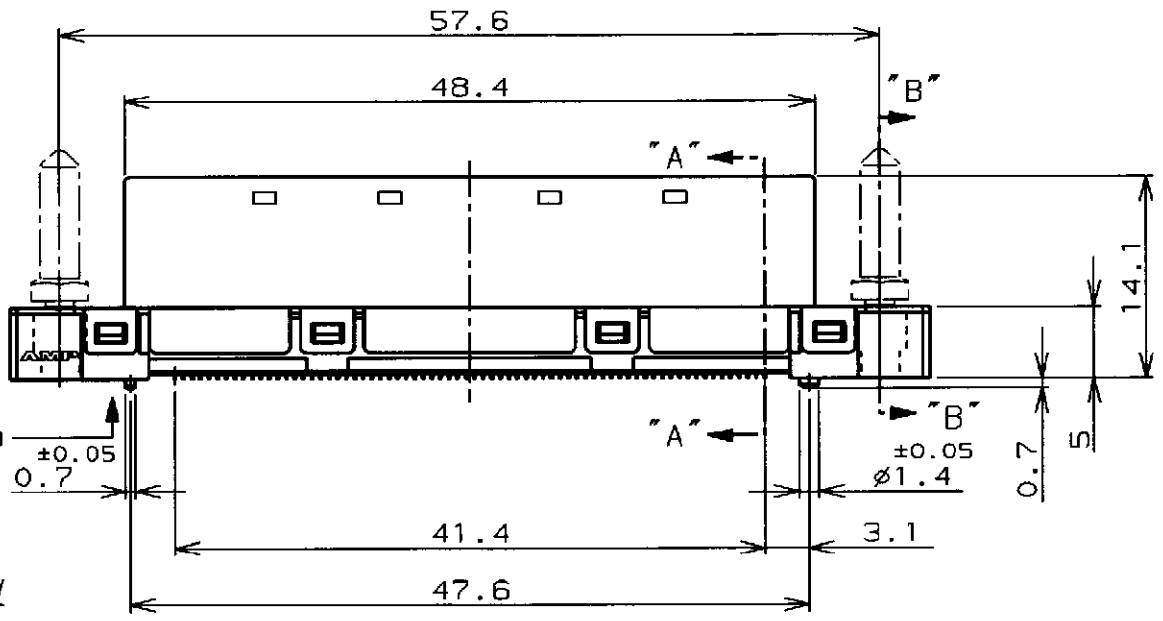
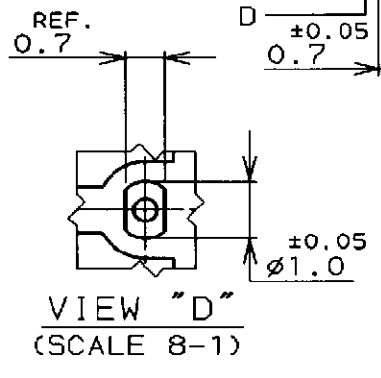
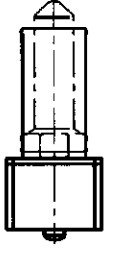
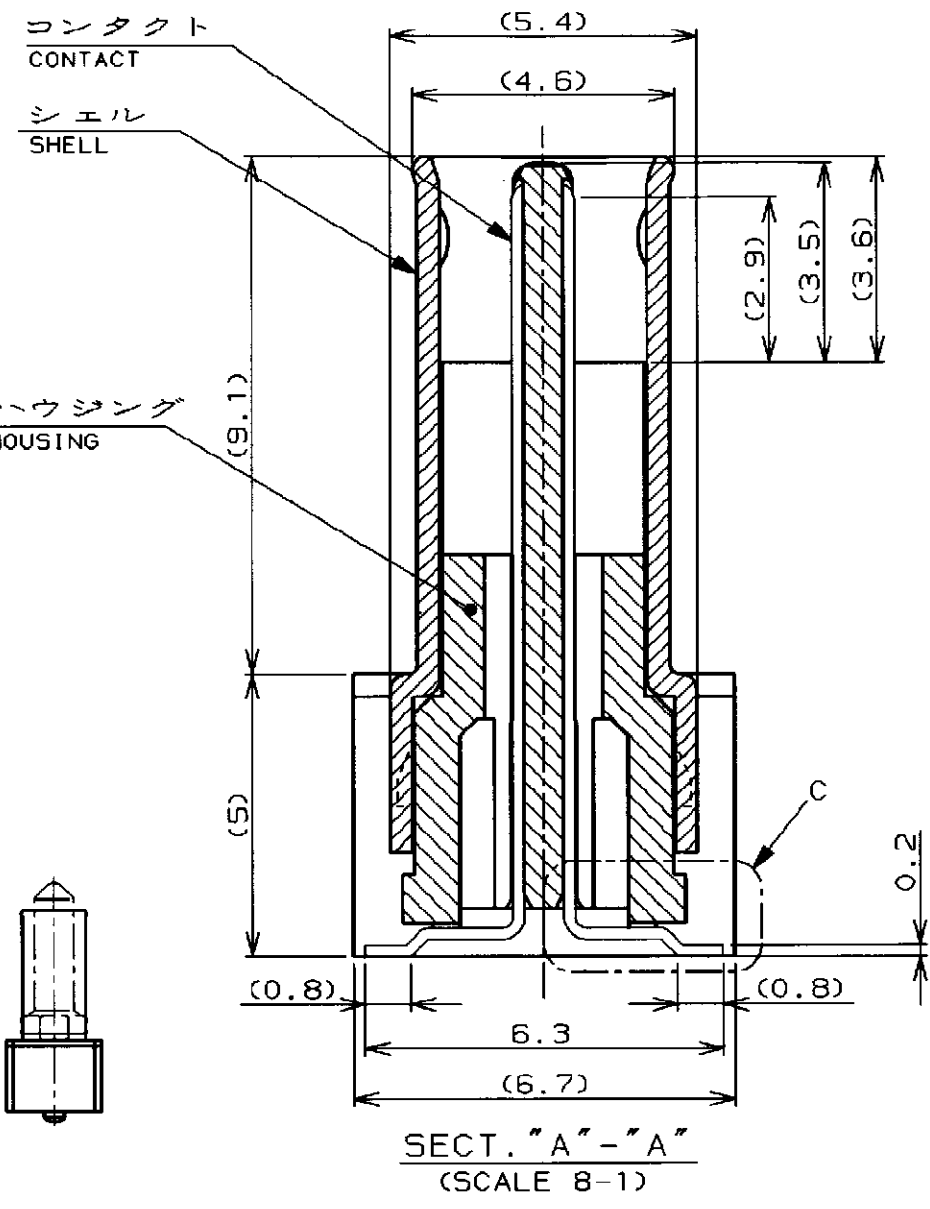
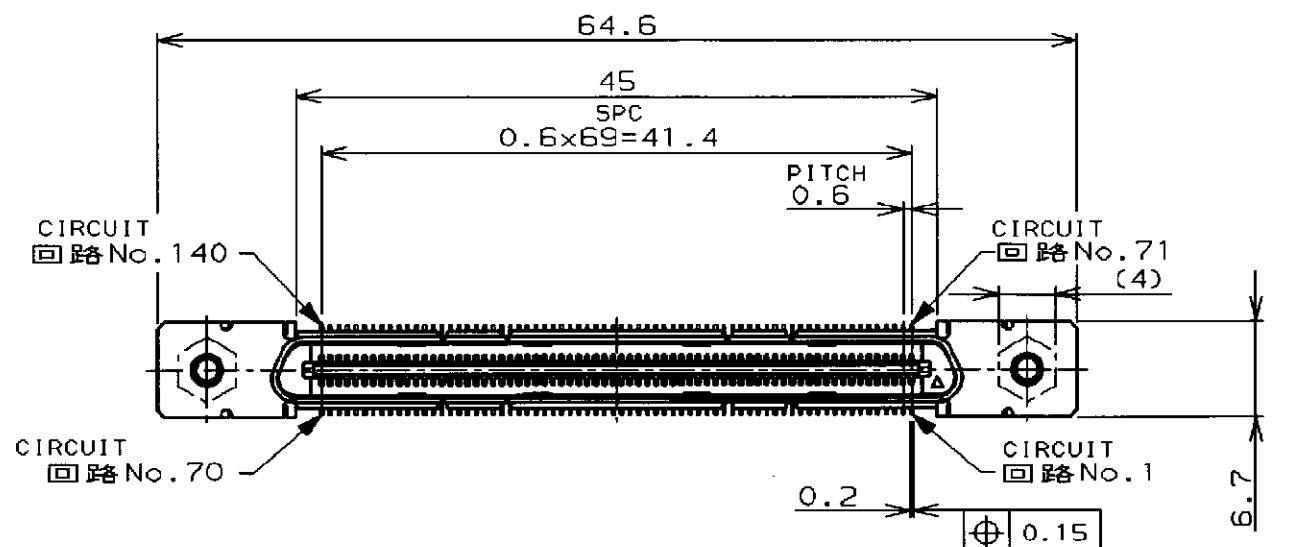
NUMBER C-1123029

METRIC

PRINT DIST. DIMENSIONS IN MM., DO NOT SCALE PRINT

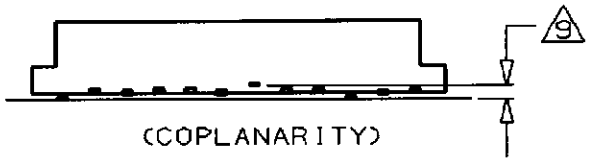
PRINT DIST.

REV. 10/99



注記

- △材料及び表面処理  
 ・コンタクト:銅合金  
   ニッケル下地メッキに接触部は、パラジウムニッケルメッキ上に  
   金メッキ  
   タイン部半田メッキ。  
 ・ハウジング:熱可塑性樹脂、UL94V-0、白色  
 ・シェル:鋼材、ニッケルメッキ  
 ・ナット:黄銅、ニッケルメッキ  
 ・キャップ:熱可塑性樹脂 UL94V-0、黒色。
2. 嵌合相手型番:1123026-1  
 △取付適用パネル厚:0.5±0.1mm  
 △取付適用基板厚:0.8±0.1mm  
 △推奨取付ネジ:M2 × 3.0 (Length)  
 △推奨スプリングワッシャー:φ2 × t0.5  
 △適合ガイドピン型番:1123033-1 (別売)  
 △コンタクトタイン位置は、ハウジング底面を基準にして  
 上方向:0.05MAX. 下方向:0.1MAX.とする。  
 △コンタクトを平坦面に置き、タイン部の浮きは0.1以下。



NOTES

- △ MATERIAL & FINISH  
 ・CONTACT: COPPER ALLOY  
   Au PL. ON Pd-Ni PL. AT CONTACT AREA OVER Ni. PL.  
   TIN-LEAD PL. AT TINE OVER Ni. PL.  
 ・HOUSING: THERMO-PLASTICS, UL94V-0, WHITE.  
 ・SHELL: STEEL, Ni PL.  
 ・NUT: BRASS, Ni PL.  
 ・CAP: THERMO-PLASTICS, UL94V-0, BLACK.
2. CONNECTOR TO BE MATED: 1123026-1  
 △ APPLICABLE THICKNESS OF PANEL: 0.5±0.1mm  
 △ APPLICABLE THICKNESS OF P.C. BOARD: 0.8±0.1mm  
 △ RECOMMENDED SCREW FOR MOUNT: M2 × 3.0 (Length)  
 △ RECOMMENDED SPRING WASHER: φ2 × t0.5  
 △ PART NUMBER OF APPLICABLE GUIDE PIN: 1123033-1 (OPTION)  
 △ CONTACT TAIN POSITION; DISTANCE FROM BOTTOM OF HOUSING  
 UPPER: 0.05MAX., LOWER: 0.1MAX.  
 △ MUST BE MEASURED FLOATING AMOUNT OF TINES FROM DATUM SURFACE.  
 IS 0.1MAX.

WITH	1-1123029-1
WITHOUT	0-1123029-1
CAP	P/N

Copyright ©1997 AMP (Japan), LTD. ALL RIGHTS RESERVED.		<b>AMP</b> Kawasaki, Japan	
PLUG ASS'Y FOR 0.6 DOCKING CONN., 140P		SIZE	LOC
C J		C-1123029	
REV. B		SHEET 1 OF 2	

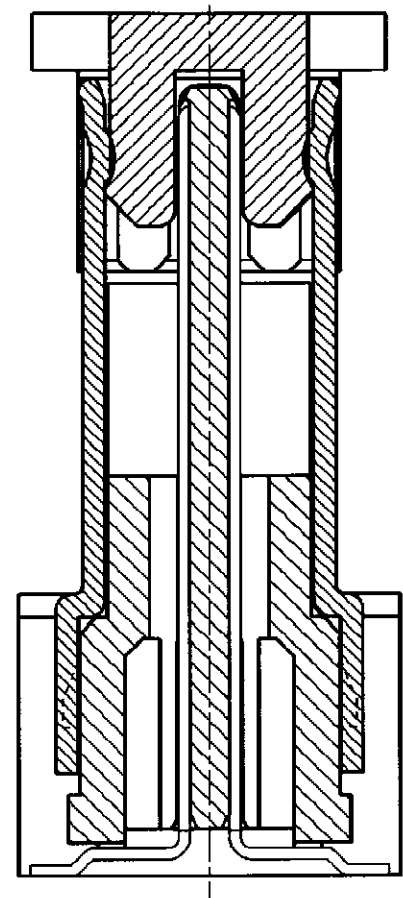
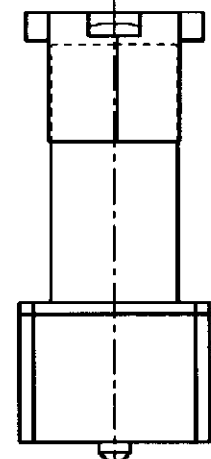
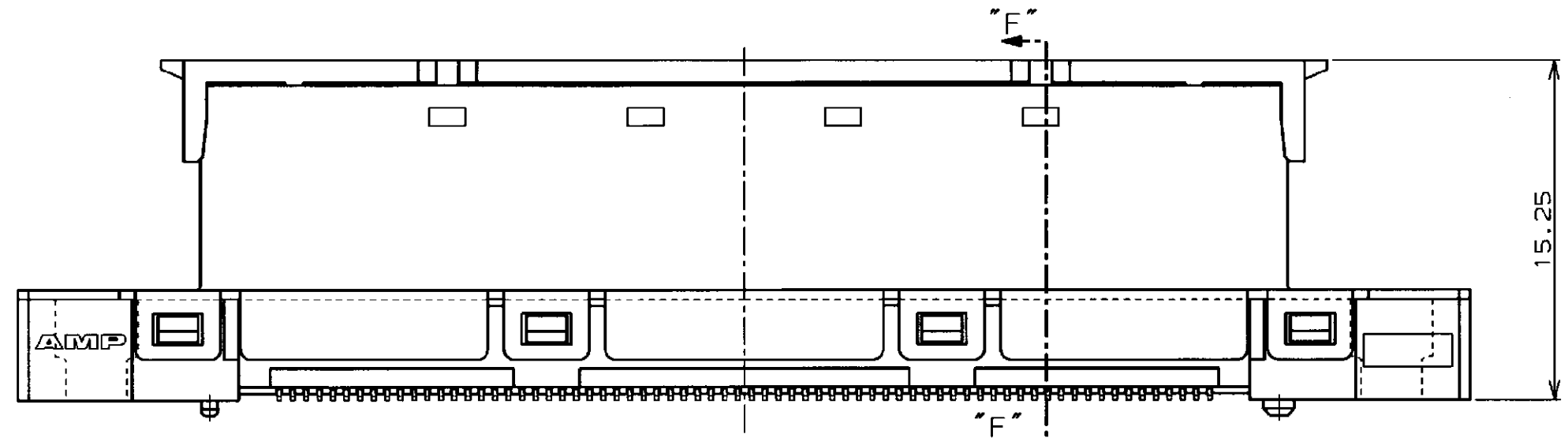
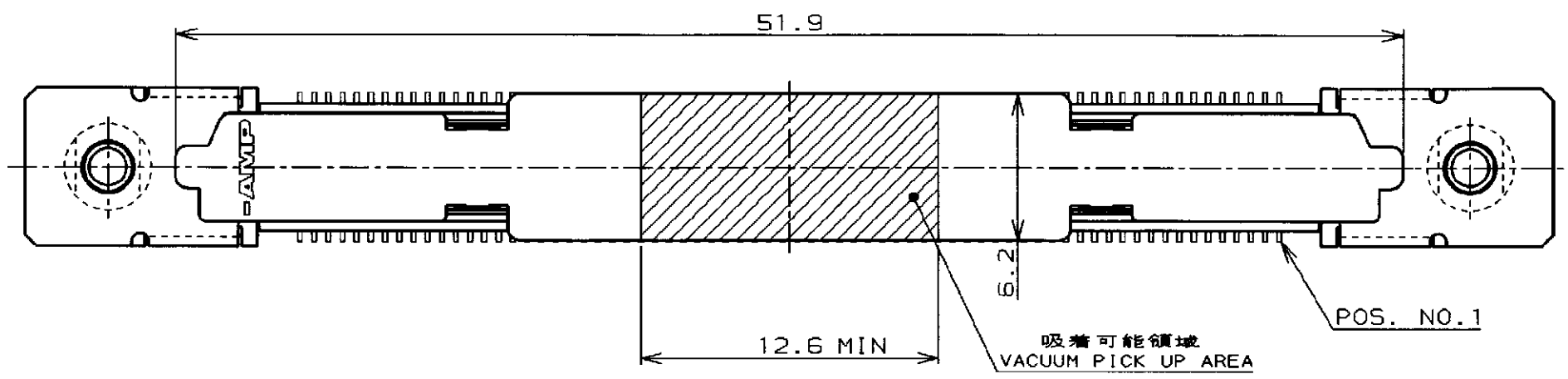
Copyright ©1997年

CUSTOMER DRAWING 参考図面

NUMBER C-1123029

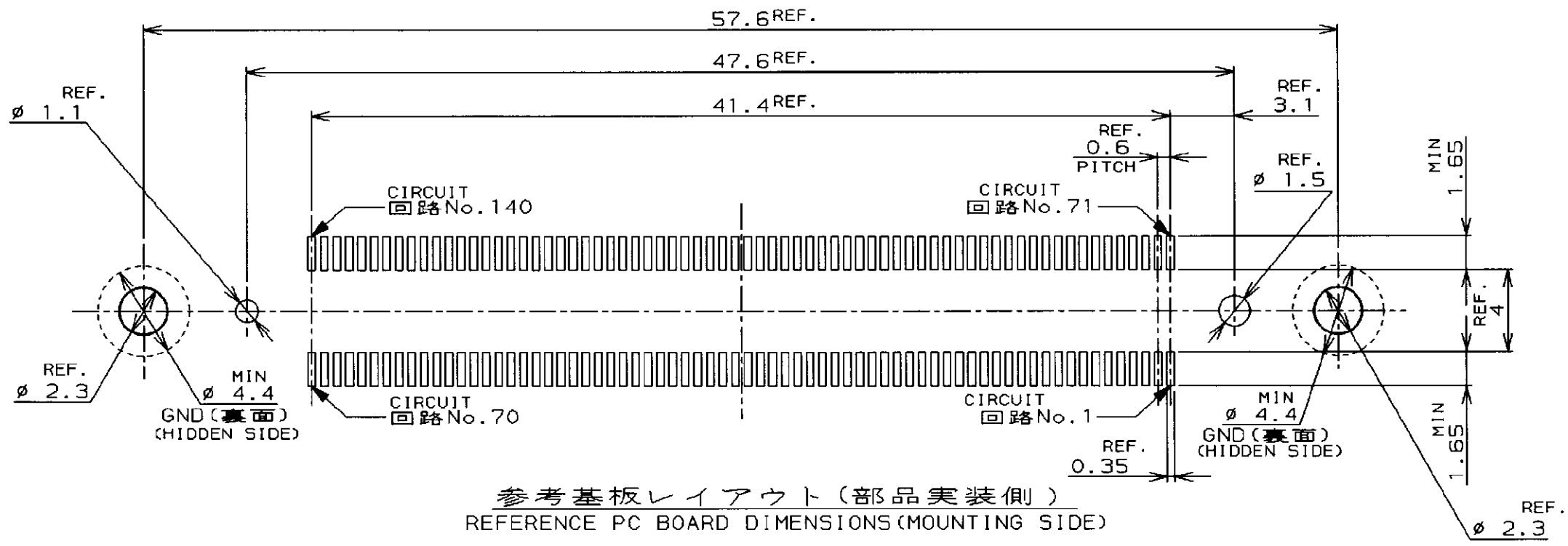
三视图 (3-VIEW PROJECTION)

METRIC

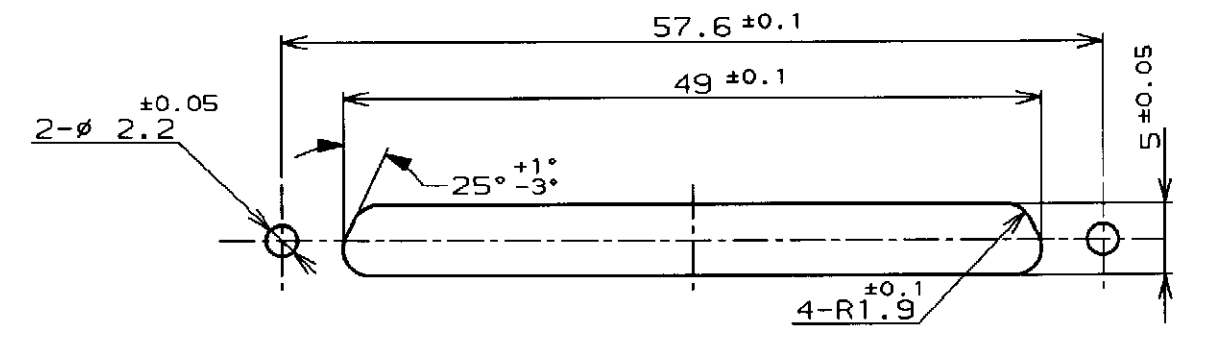


SECT. "F"- "F"  
(SCALE 10-1)

1-1123029-1: WITH CAP



参考基板レイアウト (部品実装側)  
REFERENCE PC BOARD DIMENSIONS (MOUNTING SIDE)



パネル取付け穴推奨寸法 (パネル厚: 0.5 ± 0.1)  
RECOMMENDED PANEL CUTOUT (PANEL THICKNESS: 0.5 ± 0.1)  
(SCALE: 2-1)

PRINT DIST  
単位換算 DIMENSIONS IN MM. DO NOT SCALE PRINT

REV. 2009.07.02

Copyright ©1997年 AMP (Japan), LTD. ALL RIGHTS RESERVED.		Copyright ©1997 AMP (Japan), LTD. ALL RIGHTS RESERVED.		<b>AMP</b> 日本アンプ株式会社 Kawasaki, Japan	
SEE SHEET 1		名称 (NAME) PLUG ASS'Y FOR 0.6 DOCKING CONN., 140P		SIZE C J 番号 (No.) C-1123029	
材料 (MATERIAL) DR.		仕上 (FINISH) DE.		一般公差 (GENERAL TOLERANCE) 10以下: ±0.2 10~30以下: ±0.25 30~100以下: ±0.3 角 度: ±3°	
LTR 変更 (REVISION RECORD)		DR CHK DATE		尺 寸 (SCALE) 4-1 REV. B SHEET 2 OF 2	

(CUSTOMER DRAWING) 参考図面

## Current Brand View

AMP

[View All Tyco Electronics Brands](#)

Click to activate links to all other products

**0.8mm, .050, .085 Centerline Miniature Ribbon Connectors (CHAMP)  
 1.0mm [.039] and 1.27 [.050] Docking Connectors**

AMP

1123029-1 -- 1 of 3 products

**(Tyco Electronics P/N: 1123029-1)**

<a href="#">Next</a>	<a href="#">Sales Information</a>	<a href="#">AMP ACES</a>	<a href="#">Step Search Screen</a>
		<a href="#">Related Documents</a>	<a href="#">General Information</a>
		<a href="#">Pricing</a>	<a href="#">Product Availability</a>

Please use the customer drawing for all design activity.

- Customer Drawing: 1123029, Rev. B

Document Title: PLUG ASS'Y FOR 0.6 DOCKING CONN. , 140P

[191118.pdf](#) [191118.pdf](#) (117K)
**Searchable Features:**

<b>Brand:</b>	AMP
<b>Product Type:</b>	Connector
<b>Mating Type:</b>	Plug
<b>No. of Positions:</b>	140
<b>Mount Angle:</b>	Vertical
<b>Centerline Spacing (mm [in]):</b>	0.60 [.023]
<b>PCB Mount Style:</b>	Surface Mount
<b>Profile:</b>	Standard
<b>With Center Ground Plate:</b>	No
<b>Footprint (mm [in]):</b>	2-Row
<b>PCB Polarization:</b>	Without
<b>Special PCB Retention:</b>	No
<b>Contact Mating Area Plating:</b>	Gold over Nickel
<b>Locking Screw:</b>	Without
<b>Region:</b>	Americas

**Other Properties:**

<b>Panel Attachment:</b>	Yes
<b>Housing Material:</b>	Thermoplastic
<b>Housing Color:</b>	White
<b>Shell Material:</b>	Steel
<b>Shell Plating:</b>	Nickel
<b>Contact Material:</b>	Copper Alloy

- [Home](#)
- [Part Number Search](#)
- [Text Search](#)
- [Alternate Part Search](#)
- [Multiple Part Comparison](#)
- [Alphabetical Search](#)
- [Brand Search](#)
- [Industry Product Search](#)
- [Product Type Search](#)
- [Product Family Search](#)
- [Competitor Cross Reference](#)
- [Document Number Search](#)
- [Lead Free Solutions](#)
- [Help/Glossary](#)

[Copyright](#) and [Privacy Statement](#)

Visit [Tyco International, Ltd.](#)

[Products](#) | [eCatalog](#) | [Brands](#) | [Industries](#) | [eCommerce](#) | [Customer Service](#) | [About](#) | [Home](#)