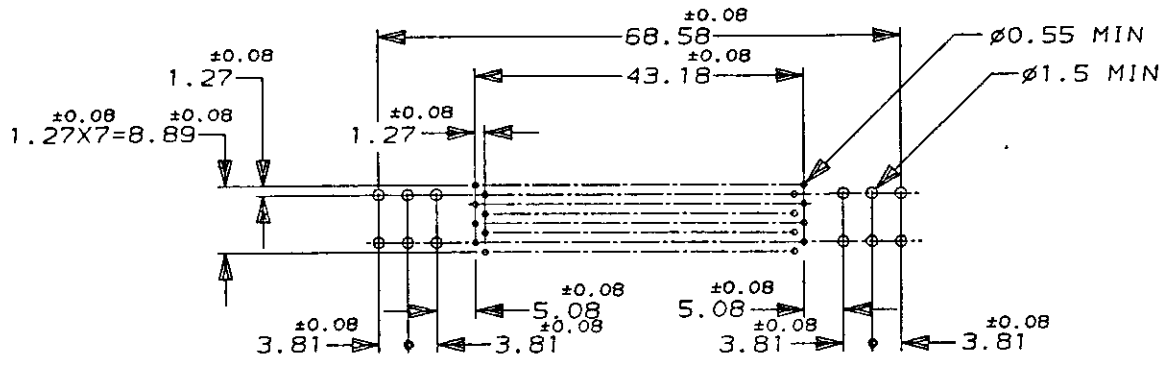


POWER POST	6.5	4	4	1, 41	4	1, 41
POWER POST	5.9	4	8	2, 3, 39, 40	8	2, 3, 39, 40
SIGNAL POST	4.4	2.8			1.40	4-38
SIGNAL POST	4.4	4	1.40	4-38		
CONTACT NAME	L1	L2	QTY&POS	コンタクト配置<列番号>CONTACT LOCATION <COLUMN NO.>	QTY&POS	コンタクト配置<列番号>CONTACT LOCATION <COLUMN NO.>
				0-179452-1		1-179452-1

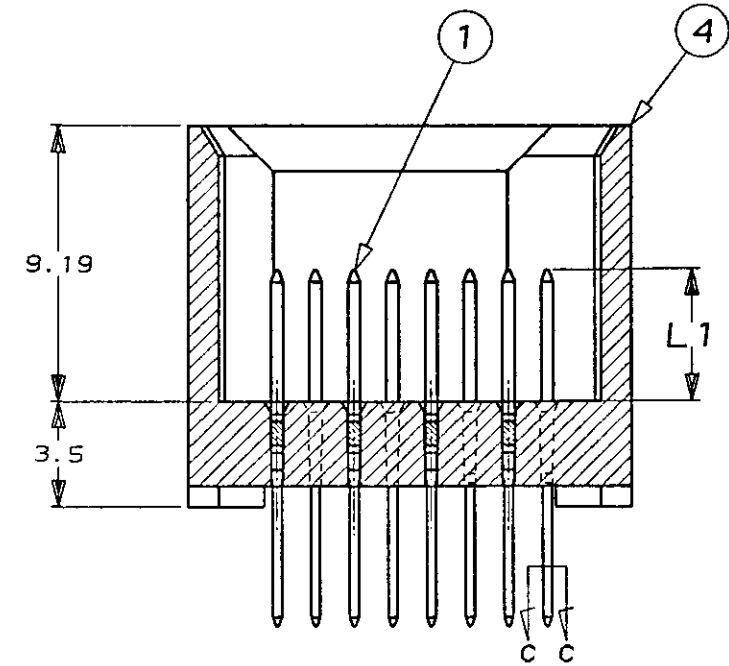
NUMBER 179452

METRIC

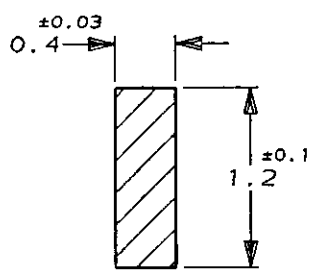
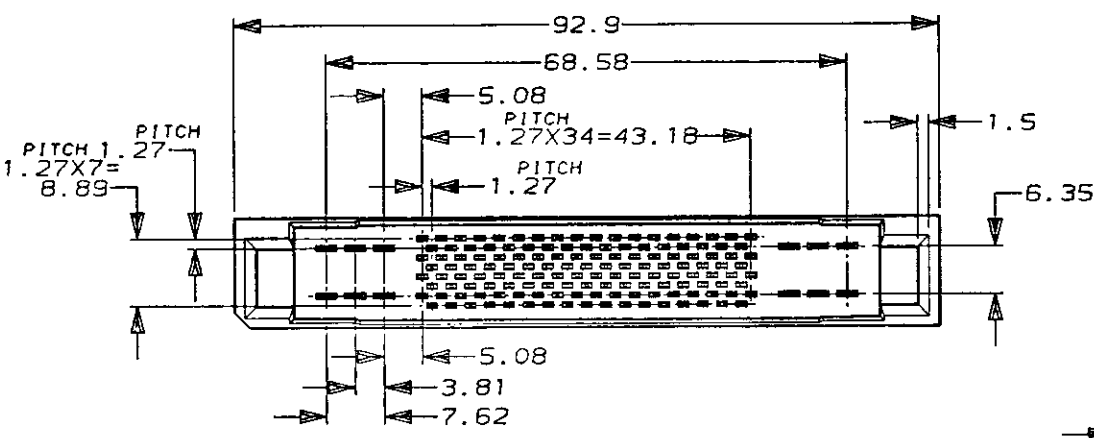
三角法(3rd ANGLE PROJECTION)



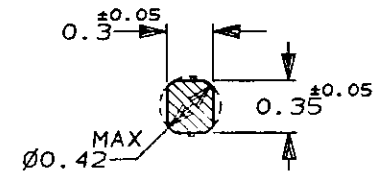
推奨基板寸法 (3t±0.2)
RECOMMENDED P.C. BOARD DIM. (3t±0.2)
(コネクタ取付け側より見る)
(VIEW FROM CONN. SIDE.)



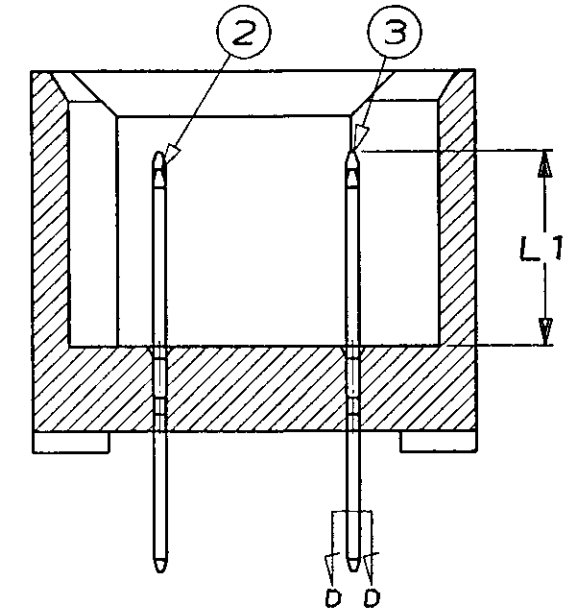
SECT "A-A"
SCALE 4-1



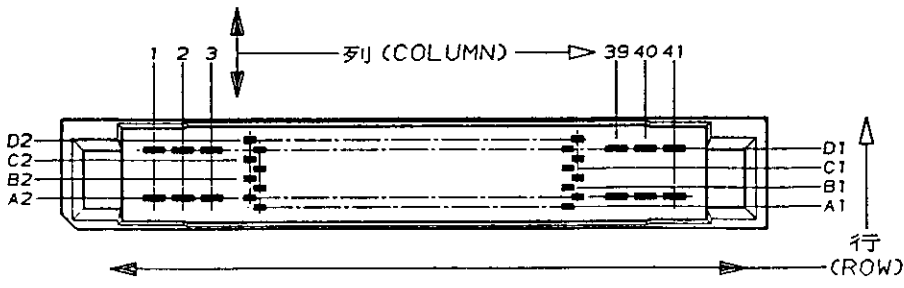
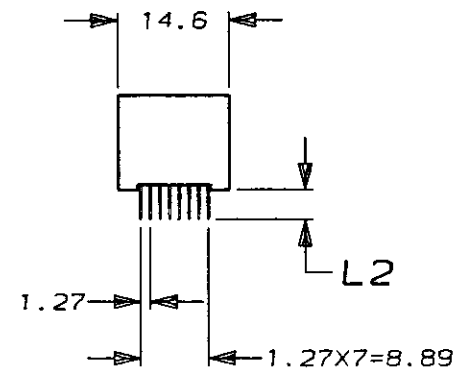
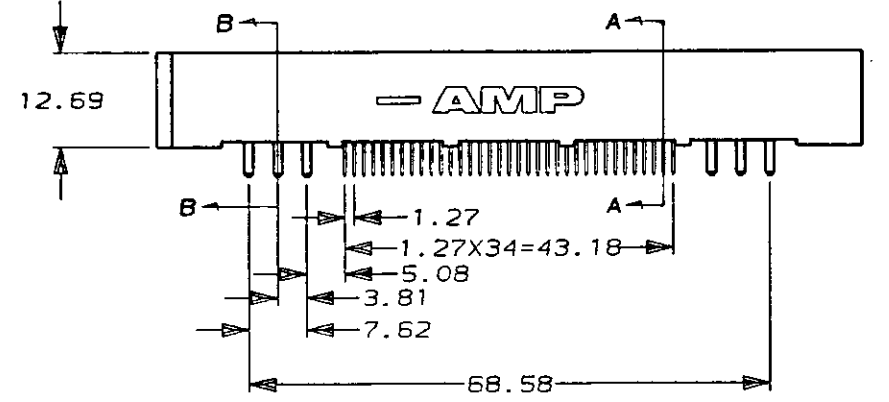
SECT "D-D"
SCALE 20-1



SECT "C-C"
SCALE 20-1



SECT "B-B"
SCALE 4-1



コンタクト番号
CONTACT ADDRESS NO.

ITEM NO.	名称 / NAME	材質 / MATERIAL
④	ヘッダハウジング HDR.HOUSING	液晶ポリマー(黒) LIQUID CRYSTALL POLYMER
③	パワーポスト (LONG) POWER POST(LONG)	銅合金 FINISH UNDER Ni 1.27μm CONTACT AREA Au 0.5μm MIN COPPER ALLOY MIN TINE AREA Sn-Pb 1μm MIN
②	パワーポスト (SHORT) POWER POST(SHORT)	銅合金 FINISH UNDER Ni 1.27μm CONTACT AREA Au 0.5μm MIN COPPER ALLOY MIN TINE AREA Sn-Pb 1μm MIN
①	シグナルコンタクト SIGNAL CONTACT	銅合金 FINISH UNDER Ni 1.27μm CONTACT AREA Au 0.5μm MIN COPPER ALLOY MIN TINE AREA Sn-Pb 1μm MIN

Copyright ©1994 AMP (Japan), LTD. ALL RIGHTS RESERVED.

AMP 日本エー・エム・ピー株式会社 Tokyo, Japan

152P(140SIGNAL) HDR. ASS'Y
Z-PACK J-II DISK ARRAY CONN.

一般公差 (GENERAL TOLERANCE)
10以下: ±0.2
10~30以下: ±0.25
30~100以下: ±0.3
角: ±3°

尺度 (SCALE) 1-1 REV. A SHEET 1 OF 1

A	変更 FJ00-0998-94	Y.K.S.M	17.J.1/94
O1	変更 FJ00-0883-94	Y.K.S.M	04.JUL-94
O	制定 FJ00-0101-94	Y.K.I.H	25.JAN-94
LTR	変更 (REVISION RECORD)	DR	CHK DATE
			25/JAN/'94

単位: mm DIMENSIONS IN MM. DO NOT SCALE PRINT

PRINT DIST

- [Home](#)
- [Part Number Search](#)
- [Text Search](#)
- [Alternate Part Search](#)
- [Multiple Part Comparison](#)
- [Alphabetical Search](#)
- [Brand Search](#)
- [Industry Product Search](#)
- [Product Type Search](#)
- [Product Family Search](#)
- [Competitor Cross Reference](#)
- [Document Number Search](#)
- [Lead Free Solutions](#)
- [Help/Glossary](#)

Current Brand View	View All Tyco Electronics Brands <small>Click to activate links to all other products</small>
AMP	

High Speed Connectors

.050 Centerline High Speed Interconnection System (Z-PACK .050 J Series)

AMP **179452-1** -- 1 of 2 products **Active** [Active](#)

(Tyco Electronics P/N: 179452-1)

Next	Sales Information	AMP ACES	Step Search Screen
		Related Documents	General Information
		Pricing	Product Availability

Please use the customer drawing for all design activity.

- **Customer Drawing: 179452, Rev. A**
 Document Title: 152P (140 SIGNAL) HDR ASSY, Z PACK JII DISK ARRAY CONN

[166744.pdf](#) [166744.pdf](#) (61K)

Searchable Features:	
Brand:	AMP
Product Type:	Header
No. of Positions:	152
Connector Type:	Blindmate, Disk Array
Termination Post Length (mm [in]):	4.00 [.157]
Post Type:	Solder Post

Other Properties:	
Housing Material:	Liquid Crystal Polymer (LCP)
Housing Color:	Black
Contact Material:	Copper Alloy
Contact Mating Area Plating:	Gold (20)
Mount Angle:	Vertical
Solder Tail Plating:	Tin-Lead
Termination Method:	Through Hole
PCB Thickness (mm [in]):	3.00 [.118]
No. of Signal Contacts:	140
No. of Power Contacts:	8 Short / 4 Long

Signal Pin Post Length (mm [in]):	4.40 [.173]
Power Pin Post Length (mm [in]):	5.90 [.232], 6.50 [.256]
Voltage Rating:	60 VDC/75VAC (Power), VDC/48VAC (Signal)

[Copyright](#) and [Privacy Statement](#)

Visit [Tyco International, Ltd.](#)

[Products](#) | [eCatalog](#) | [Brands](#) | [Industries](#) | [eCommerce](#) | [Customer Service](#) | [About](#) | [Home](#)