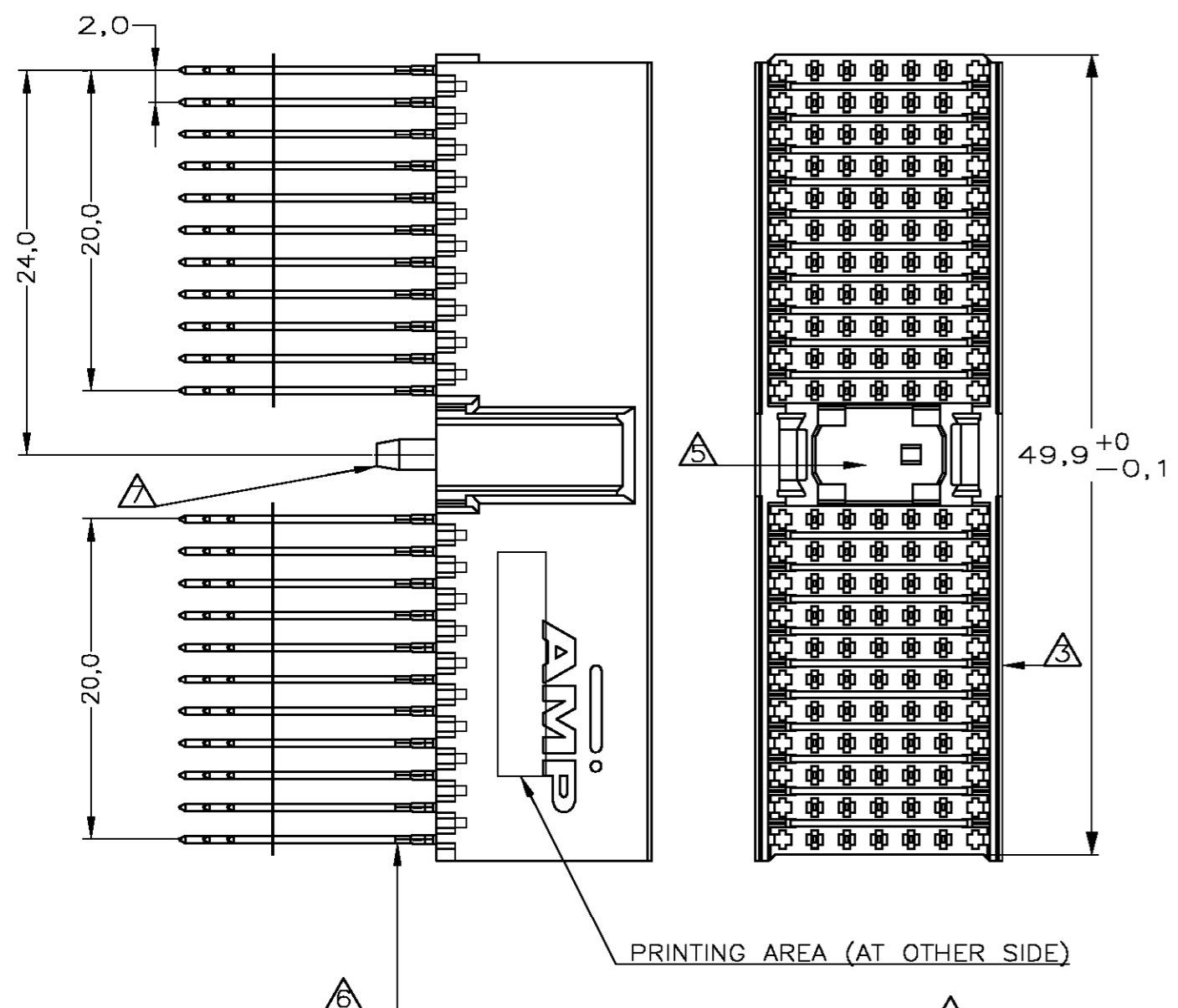
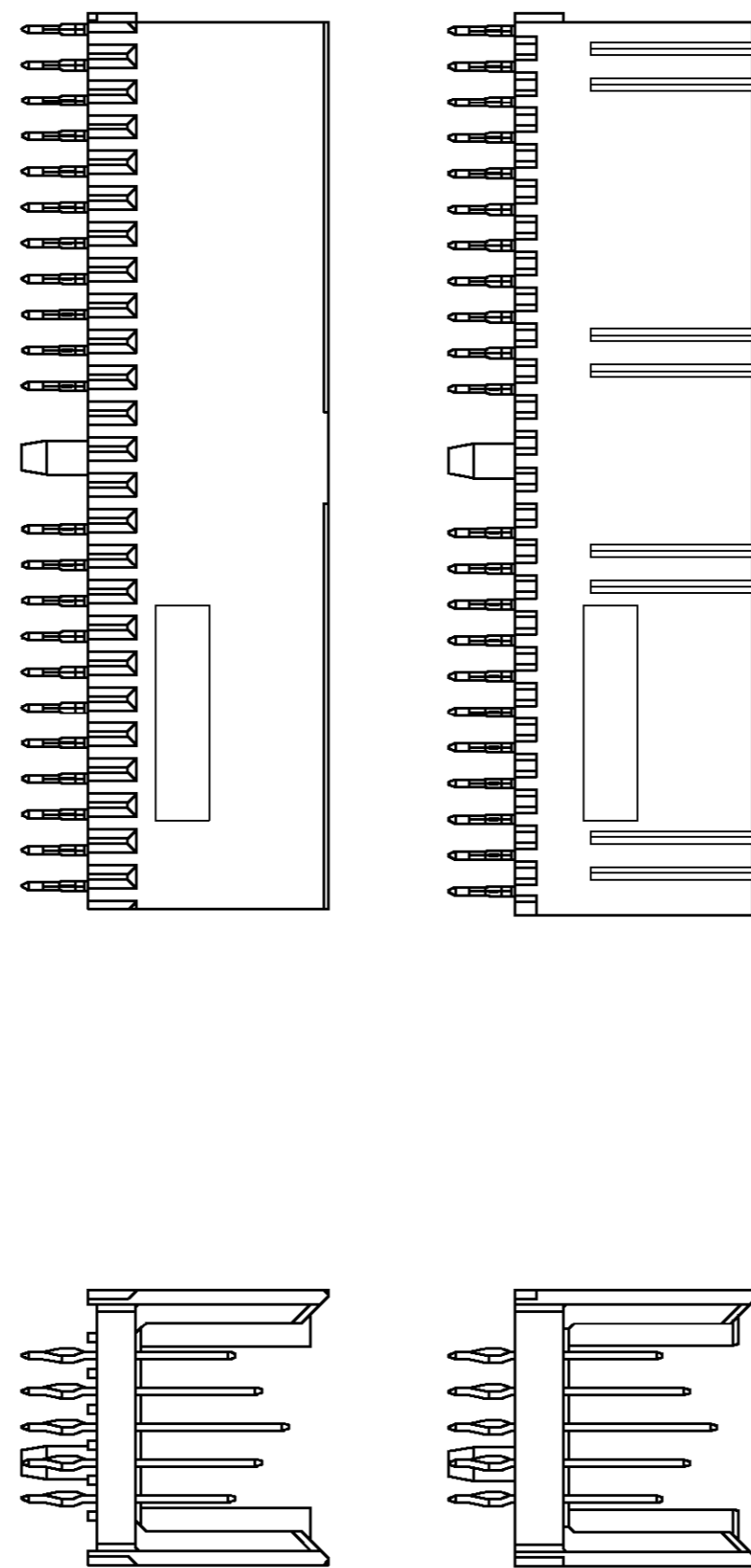


THIS DRAWING IS UNPUBLISHED. RELEASED FOR PUBLICATION
 © COPYRIGHT BY TYCO ELECTRONICS CORPORATION. ALL RIGHTS RESERVED.

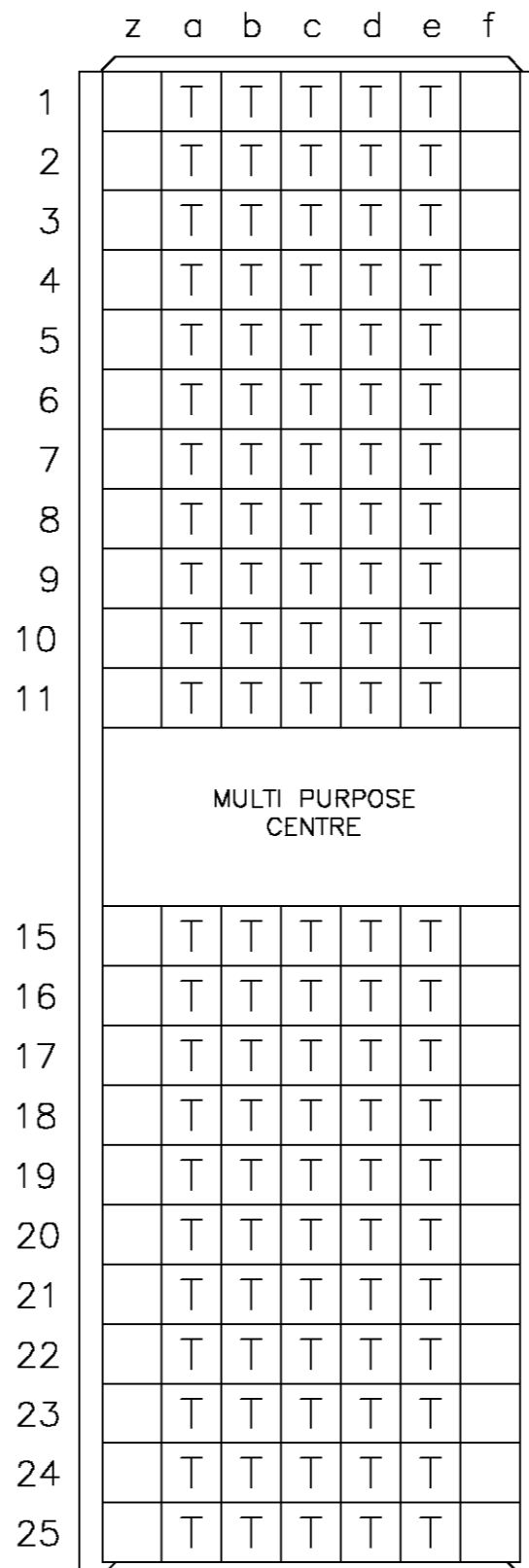
CONNECTOR ASSEMBLY EXEMPLARY LOADED



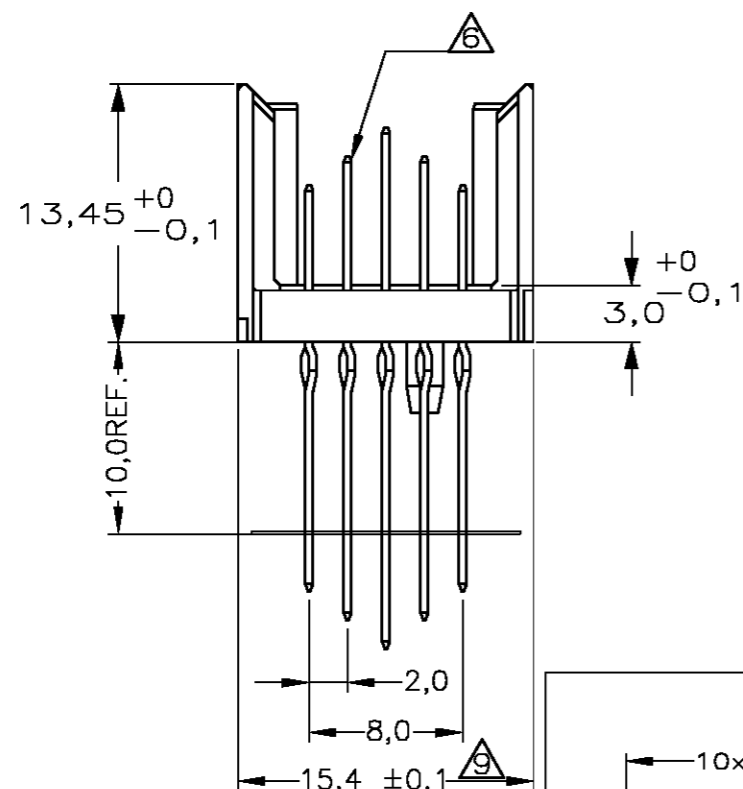
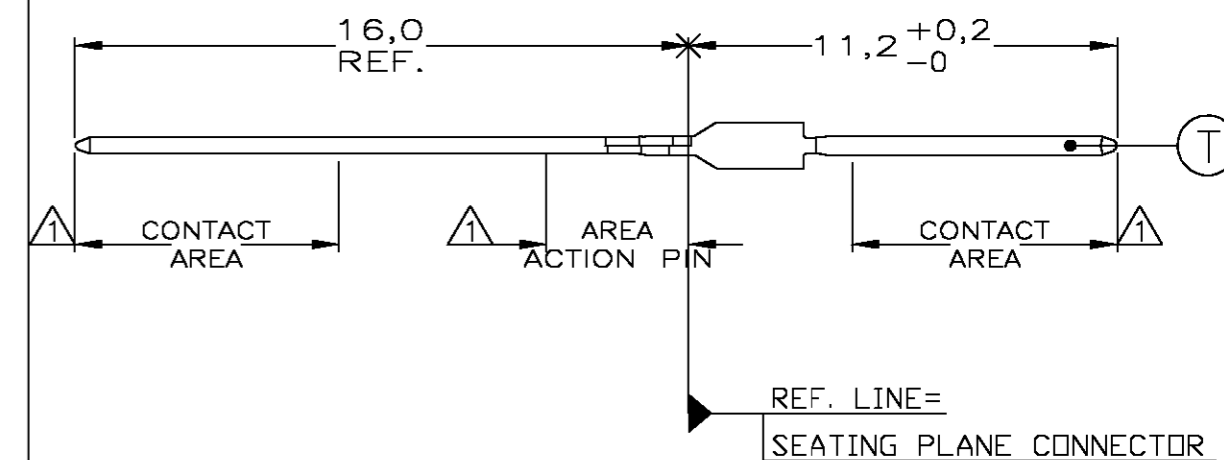
CONNECTOR APPEARANCES POSSIBLE VERSIONS



CONTACT LAYOUT

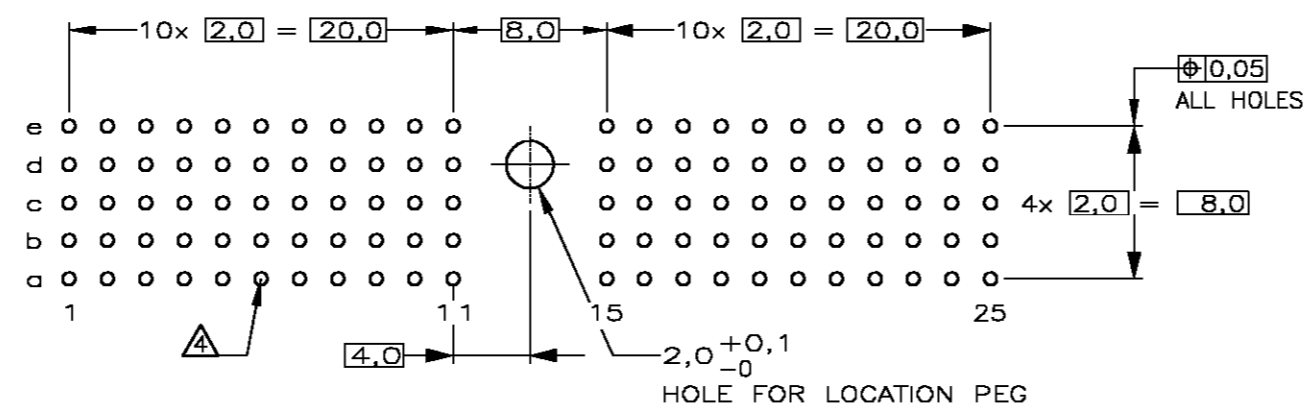


CONTACT DIMENSIONS



NOTES:

- ▲ FOR FINISH TYPES SEE PLATING TABLE.
- ▲ MATERIAL CONTACT: PHOSPHORBRONZE.
MATERIAL POST ALIGNMENT STRIP: UNFILLED POLYESTER
MATERIAL HOUSING: GREY GLASSFILLED POLYESTER
UL-RATING 94V0.
- ▲ CONNECTOR MARKED WITH PART NUMBER AND DATE CODE.
(OTHER MARKING OPTIONAL)
- ▲ PLATED-THROUGH HOLES AT 2x2mm SQUARE GRID,
AREA FOR KEYING PART (BASIC PART NUMBER 100525).
- ▲ FOR ACTUAL PIN LOADING SEE "CONTACT LAYOUT".
- ▲ LOCATION PEG.
- ▲ CONNECTOR LUBRICATED WITH BELCORE
APPROVED LUBRICANT TECHNICAL REFERENCE
TR-NWT-001217 ISSUE 1 SEPT 1992



RECOMMENDED PCB-HOLE LAY-OUT
COMPONENT SIDE SHOWN

P.C.B. HOLE DIM. ACTION PIN
 DRILLED HOLE: 0,7 ± 0,025mm
 FIN. HOLE : 0,55 TO 0,65mm
 Cu-thks : 0,025 TO 0,050mm
 SnPb-thks : 0,004 TO 0,010mm

LOC	DIST	REVISIONS					
GW	-	P	LTR	DESCRIPTION	DATE	DWN	APVD
		B		EH-0058-96	12-JAN-'96	DT	-
		C		EH-1195-00	31-OCT-'00	RB	-
		D		SR10-0332-01	31-JUL-'01	FB	-

PART NUMBER	UNDER-COATING µm Ni MIN.	CONTACT AREA µm Au MIN.	ACTION-PIN AREA µm Sn/Pb	CONSERVATION TREATMENT	MATERIAL
1-106958-9	1,27	1,27	0,5-2,5	Yes	▲
0-106958-9	1,27	0,76	0,5-2,5	Yes	▲
0-106958-1	1,27	0,76	0,5-2,5	No	▲

THIS DRAWING IS A CONTROLLED DOCUMENT.

DWN: Frederik Beun 31-JUL-'01
 CHK: -
 APVD: -

FINISH: 108-19082
 APPLICATION SPEC: 114-19029

TOLERANCES UNLESS OTHERWISE SPECIFIED:
 0 PLC ± -
 1 PLC ± -
 2 PLC ± -
 3 PLC ± -
 4 PLC ± -
 ANGLES ± -
 FINISH

MATERIAL: -

tyco Electronics
 Tyco Electronics Corporation
 Oostkamp - BELGIUM

Z-PACK 2mm HM TYPE A
 110 POS. MALE
 CONNECTOR ASSEMBLY

SIZE: A2 CAGE CODE: 00779 DRAWING NO: 106958 RESTRICTED TO: -

SCALE: 5:1 SHEET: 1 OF 1 REV: D

0106958

Current Brand View

AMP

[View All Tyco Electronics Brands](#)

Click to activate links to all other products

High Speed Connectors

 2mm Hard Metric PCB Mount Connectors (Z-PACK 2mm HM)

AMP

106958-1 -- 8 of 10 products

Active

[Active](#)

(Tyco Electronics P/N: 106958-1)

Previous	Next	Sales Information	AMP ACES	Step Search Screen
			Related Documents	General Information
			Pricing	Product Availability

Please use the customer drawing for all design activity.

- Customer Drawing: 106958, Rev. D

Document Title: Z-PACK 2mm HM TYPE A 110 POS. MALE
CONNECTOR ASSEMBLY

[225736.pdf](#) [225736.pdf](#) (69K)

Searchable Features:

Brand:	AMP
Gender:	Plug
Product Type:	Connector
Connector Type:	Type A
Contact Type:	ACTION PIN Posts, Signal
No. of Rows:	5
No. of Positions:	110
PCB Mount Angle:	Vertical
Board Mount:	Fixed Board
Mating Polarization:	Yes
Mating Polarization Method:	Polarizing Peg
Module Length (mm [in]):	49.90 [1.966]

Other Properties:

Contact Style:	Feedthrough
Front Mating Level:	Level 1
Feedthrough Post Length (Rows A-E) (mm [in]):	16.00 [.629]
Housing Material:	Glass-Filled Polyester
Housing Color:	Gray
Contact Material:	Phosphor Bronze
Termination End Plating:	Tin-Lead over Nickel

- [Home](#)
- [Part Number Search](#)
- [Text Search](#)
- [Alternate Part Search](#)
- [Multiple Part Comparison](#)
- [Alphabetical Search](#)
- [Brand Search](#)
- [Industry Product Search](#)
- [Product Type Search](#)
- [Product Family Search](#)
- [Competitor Cross Reference](#)
- [Document Number Search](#)
- [Lead Free Solutions](#)
- [Help/Glossary](#)

Crosstalk Version:	Standard
Shielded:	No
CompactPCI:	No
Contact Mating Area Plating:	Gold (30) over Nickel
Grounding Contact:	Without

[Copyright](#) and [Privacy Statement](#)

Visit [Tyco International, Ltd.](#)

[Products](#) | [eCatalog](#) | [Brands](#) | [Industries](#) | [eCommerce](#) | [Customer Service](#) | [About](#) | [Home](#)