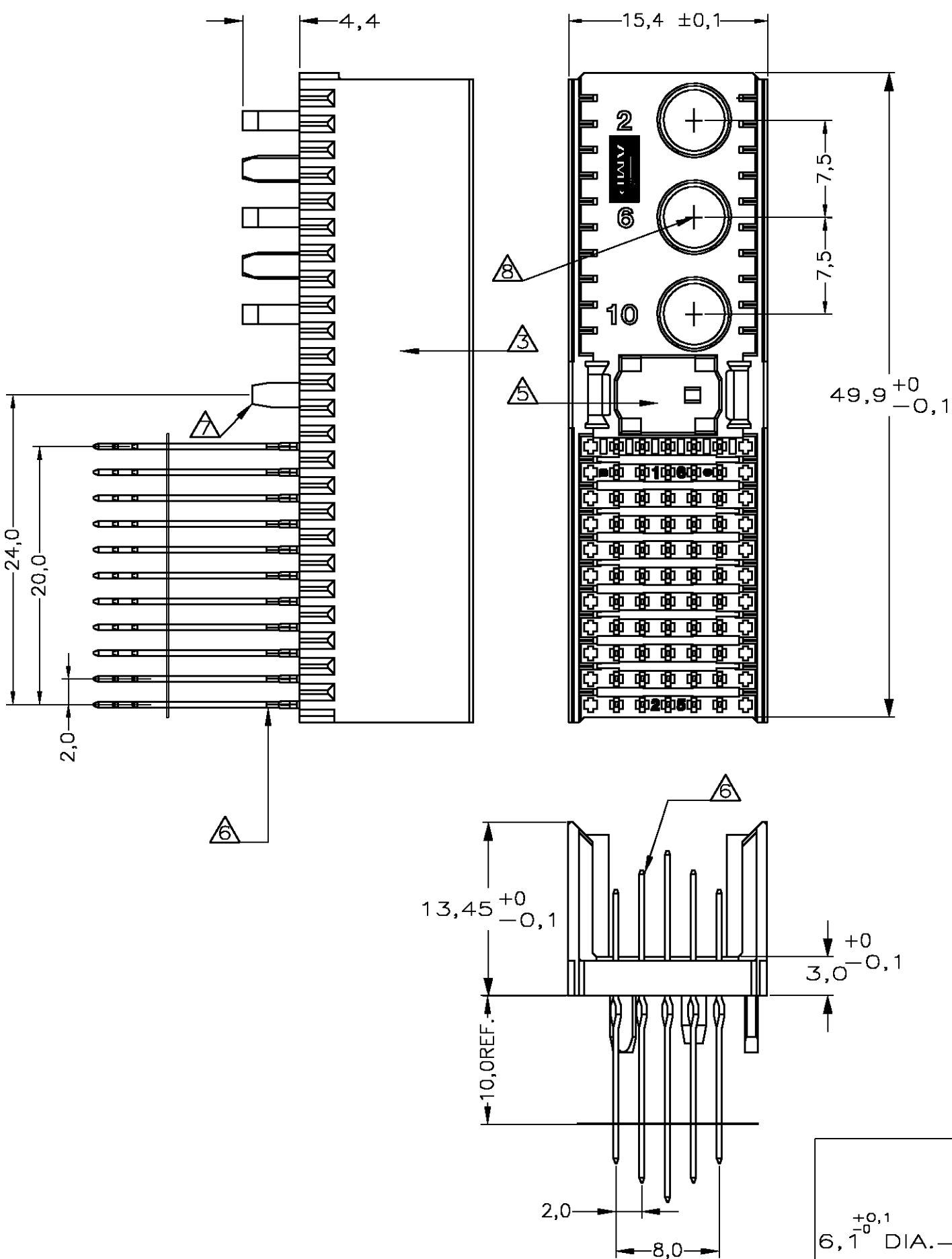
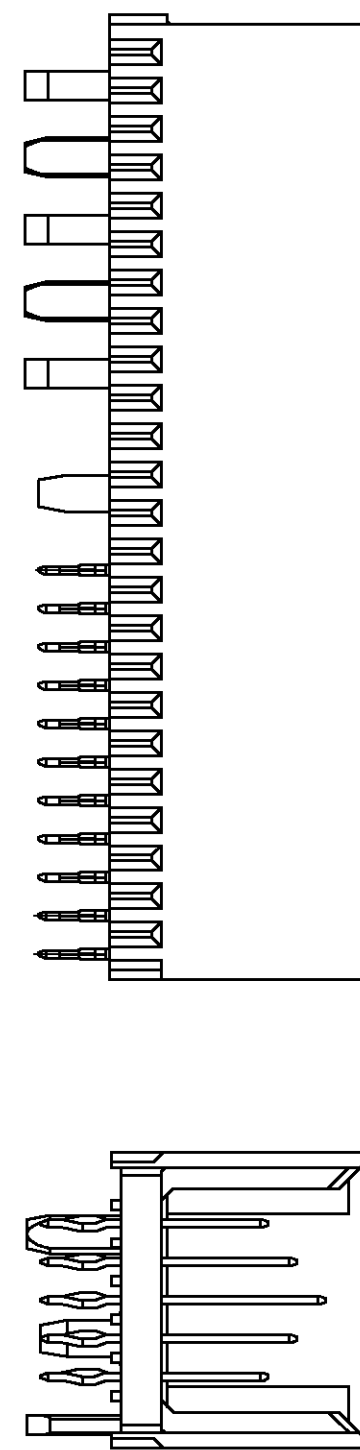


THIS DRAWING IS UNPUBLISHED. RELEASED FOR PUBLICATION
© COPYRIGHT BY TYCO ELECTRONICS CORPORATION. ALL RIGHTS RESERVED.

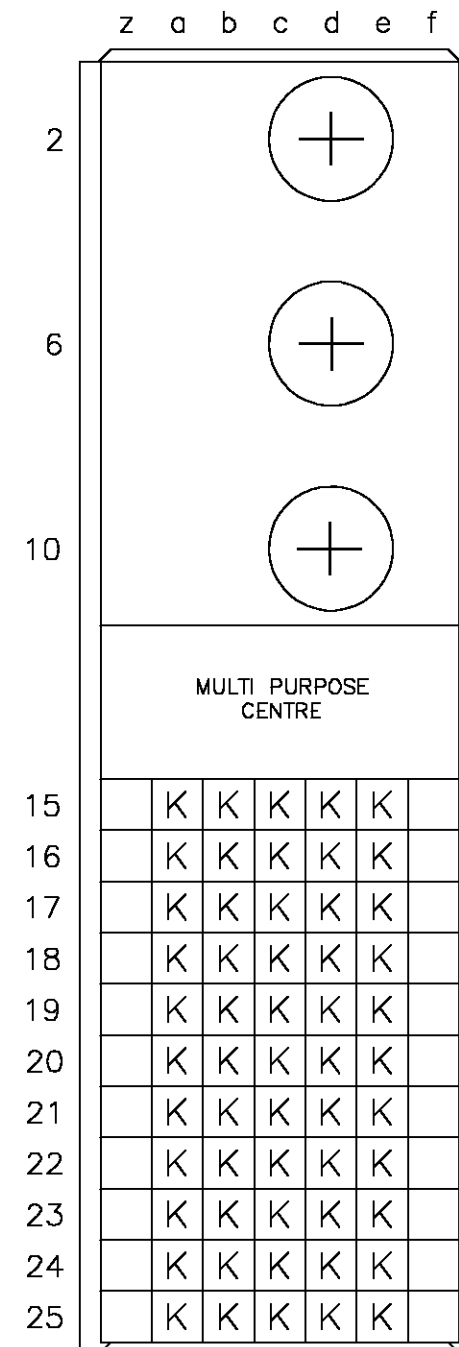
CONNECTOR ASSEMBLY EXEMPLARY LOADED



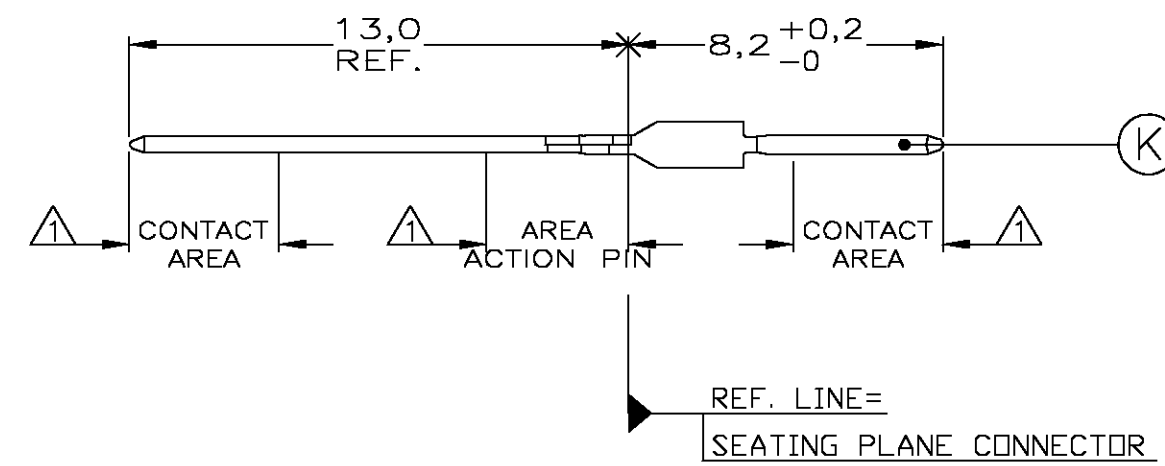
CONNECTOR APPEARANCES POSSIBLE VERSIONS



CONTACT LAYOUT

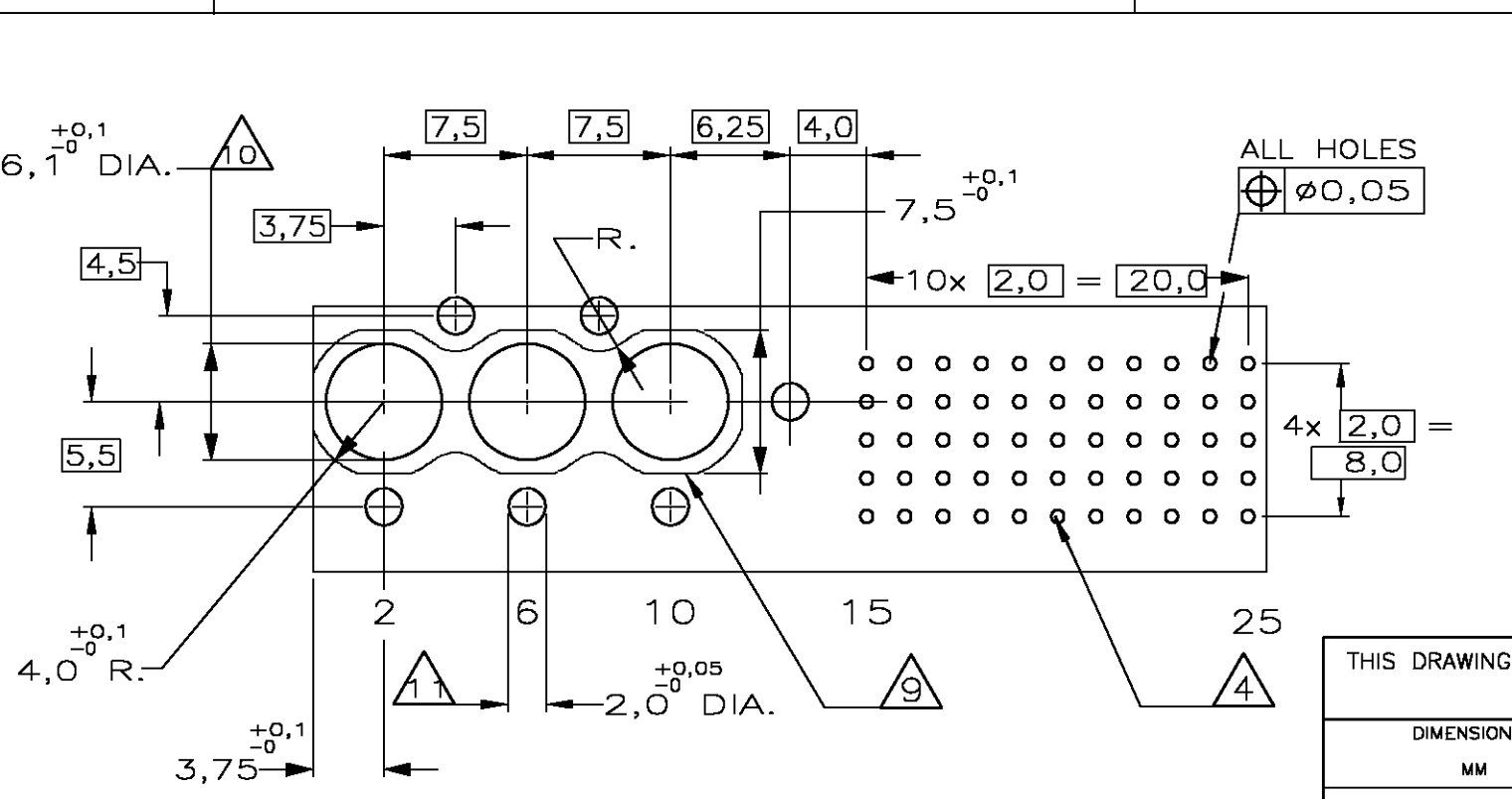


CONTACT DIMENSIONS



NOTES:

- △ FOR FINISH TYPES SEE PLATING TABLE.
- △ MATERIAL CONTACT: PHOSPHORBRONZE.
MATERIAL HOUSING: GREY GLASSFILLED POLYESTER UL-RATING 94V0.
- △ MATERIAL POST ALIGNMENT STRIP: UNFILLED POLYESTER CONNECTOR MARKED WITH PARTNUMBER AND DATECODE.
- △ PLATED-THROUGH HOLES AT 2x2mm SQUARE GRID.
- △ AREA FOR KEYING PART (BASIC PART NUMBER 100525).
- △ FOR ACTUAL PIN LOADING SEE "CONTACT LAYOUT" LOCATION PEG.
- △ CONTACT CAVITIES (3x) SUITABLE FOR 4,8 DIA. HIGH CURRENT, HIGH FREQUENCY OR FIBRE OPTIC CONTACTS AS PER DIN 41626 (SEE ALSO NOTE 9 AND 10).
- △ PATTERN FOR FIBRE OPTIC CONTACTS.
- △ NOT PLATED-THROUGH HOLES; TO BE REPLACED BY 5,9 DIA. PLATED-THROUGH HOLES IF STRAIGHT SOLDER CONTACTS ARE APPLIED.
- △ NOT PLATED-THROUGH HOLES (6x).
- △ SUPERSEDED BY 0-106326-1.



RECOMMENDED PCB-HOLE LAY-OUT
COMPONENT SIDE SHOWN

P.C.B. HOLE DIM. ACTION PIN	
DRILLED HOLE:	0,7 ± 0,025mm
FIN. HOLE :	0,55 TO 0,65mm
Cu-thks :	0,025 TO 0,050mm
SnPb-thks :	0,004 TO 0,010mm

LOC	DIST	REVISIONS				
P	LTR	DESCRIPTION	DATE	DWN	APVD	
GW	-	B1	SR10-0162-01	23-APR-'01	FB	-

PART NUMBER	UNDER-COATING µm Ni MIN.	CONTACT AREA µm Au MIN.	ACTION-PIN AREA µm Sn/Pb	CONSERVATION TREATMENT
0-106326-7	1,27	0,76	0,5-2,5	NO
0-106326-1	1,27	0,76	0,5-2,5	NO

THIS DRAWING IS A CONTROLLED DOCUMENT.		FINISH	
DIMENSIONS: MM	TOLERANCES UNLESS OTHERWISE SPECIFIED:	DWN	23-APR-'01
0 PLC ± -	1 PLC ± -	CHK	Frederik Beun
2 PLC ± -	3 PLC ± -	APVD	-
4 PLC ± -	ANGLES ± -	PRODUCT SPEC	-
MATERIAL	FINISH	APPLICATION SPEC	-
-	-	WEIGHT	-
		CUSTOMER DRAWING	SCALE
		SIZE	A2
		CAGE CODE	00779
		DRAWING NO	0106326
		RESTRICTED TO	-
		SHEET	1 OF 1
		REV	B1

Current Brand View	View All Tyco Electronics Brands Click to activate links to all other products
AMP	

High Speed Connectors

2mm Hard Metric PCB Mount Connectors (Z-PACK 2mm HM)

AMP **106326-1** -- 3 of 3 products **Active** [Active](#)

(Tyco Electronics P/N: 106326-1)

Previous	Sales Information	AMP ACES	Step Search Screen
		Related Documents	General Information
		Pricing	Product Availability

Please use the customer drawing for all design activity.

- Customer Drawing: 106326, Rev. B1**
 Document Title: Z-pack 2mm HM, type M, 55 pos male connector
[207654.pdf](#) [207654.pdf](#) (69K)

The photographs and/or line drawings below are representative images of a product for viewing purposes only.

[Product Photo](#)

Searchable Features:

Brand:	AMP
Gender:	Plug
Product Type:	Connector
Connector Type:	Type M
Contact Type:	DIN, Signal
No. of Rows:	5
No. of Positions:	55
No. of DIN Cavities:	3
PCB Mount Angle:	Vertical
Board Mount:	Fixed Board
Mating Polarization:	Yes
Mating Polarization Method:	Multi-Purpose Center

Other Properties:

Rows Loaded:	A, B, D, C, E
Contact Style:	Feedthrough
Front Mating Level:	Level 1
Feedthrough Post Length (Rows A-E) (mm [in]):	13.00 [.512]
Housing Material:	Glass-Filled Polyester
Housing Color:	Gray
Housing Flammability Rating:	UL 94V-0
Contact Material:	Phosphor Bronze
Termination End Plating:	Tin-Lead over Nickel

- [Home](#)
- [Part Number Search](#)
- [Text Search](#)
- [Alternate Part Search](#)
- [Multiple Part Comparison](#)
- [Alphabetical Search](#)
- [Brand Search](#)
- [Industry Product Search](#)
- [Product Type Search](#)
- [Product Family Search](#)
- [Competitor Cross Reference](#)
- [Document Number Search](#)
- [Lead Free Solutions](#)
- [Help/Glossary](#)

Module Length (mm [in]):	50.00 [1.968]
Crosstalk Version:	Standard
Shielded:	No
CompactPCI:	No
Contact Mating Area Plating:	Gold (30) over Nickel (50)
Grounding Contact:	Without

[Copyright](#) and [Privacy Statement](#)

Visit [Tyco International, Ltd.](#)

[Products](#) | [eCatalog](#) | [Brands](#) | [Industries](#) | [eCommerce](#) | [Customer Service](#) | [About](#) | [Home](#)