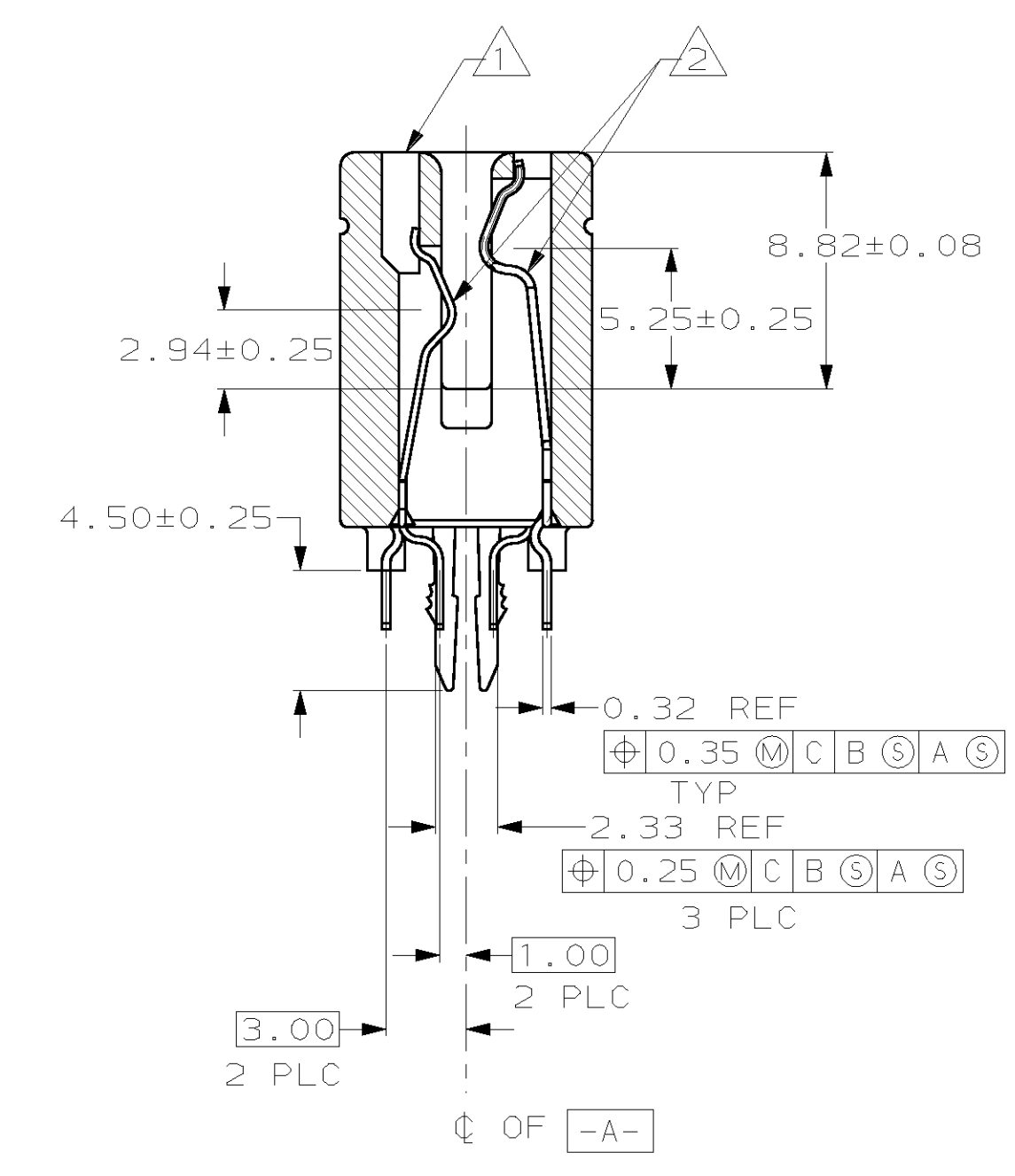
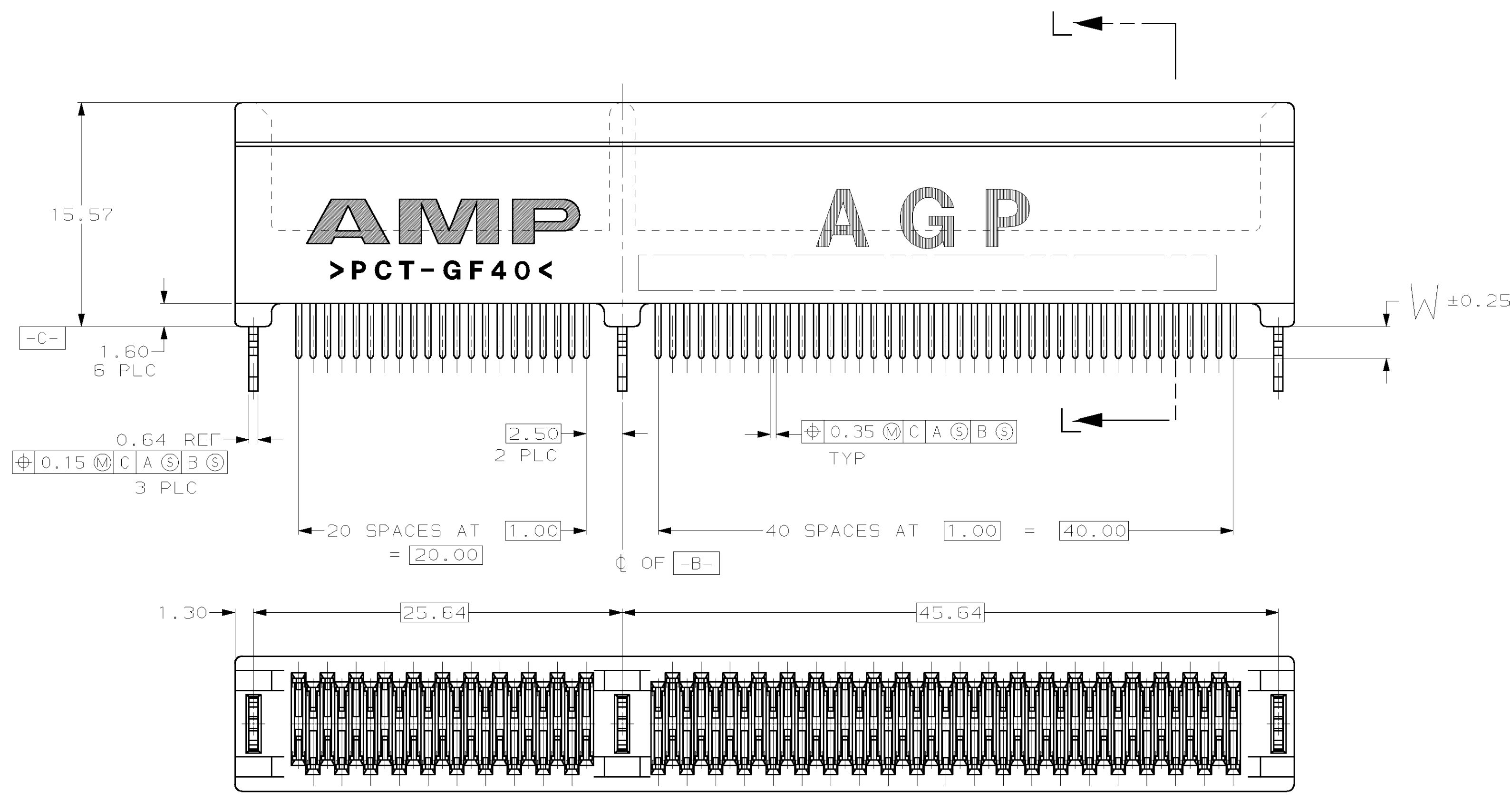
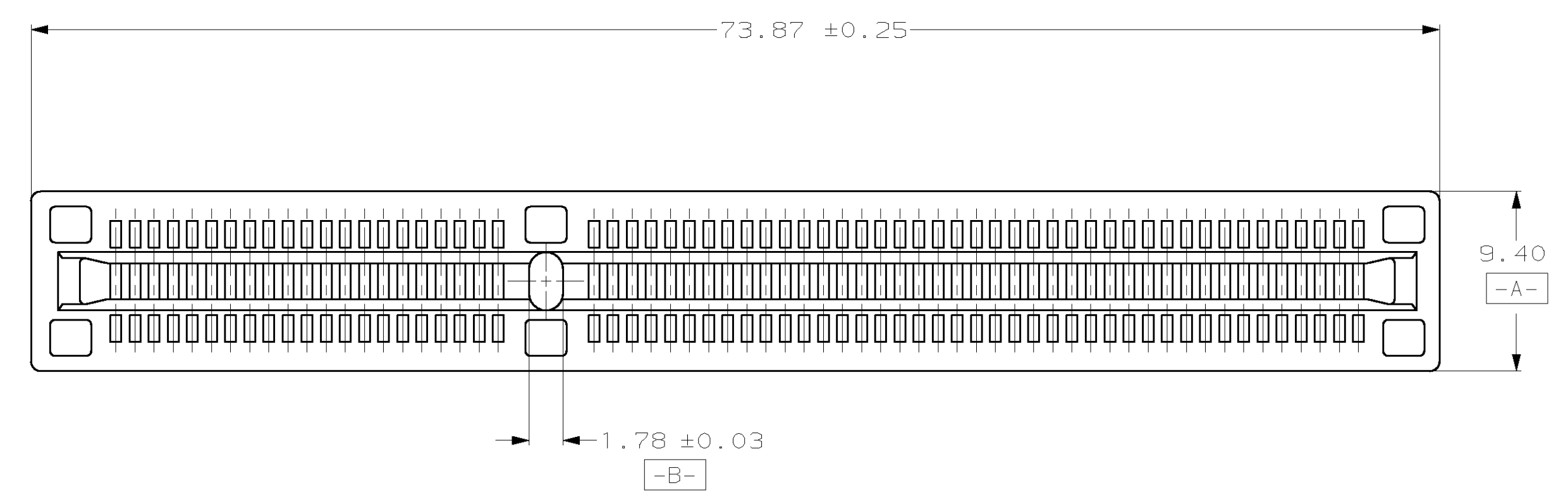


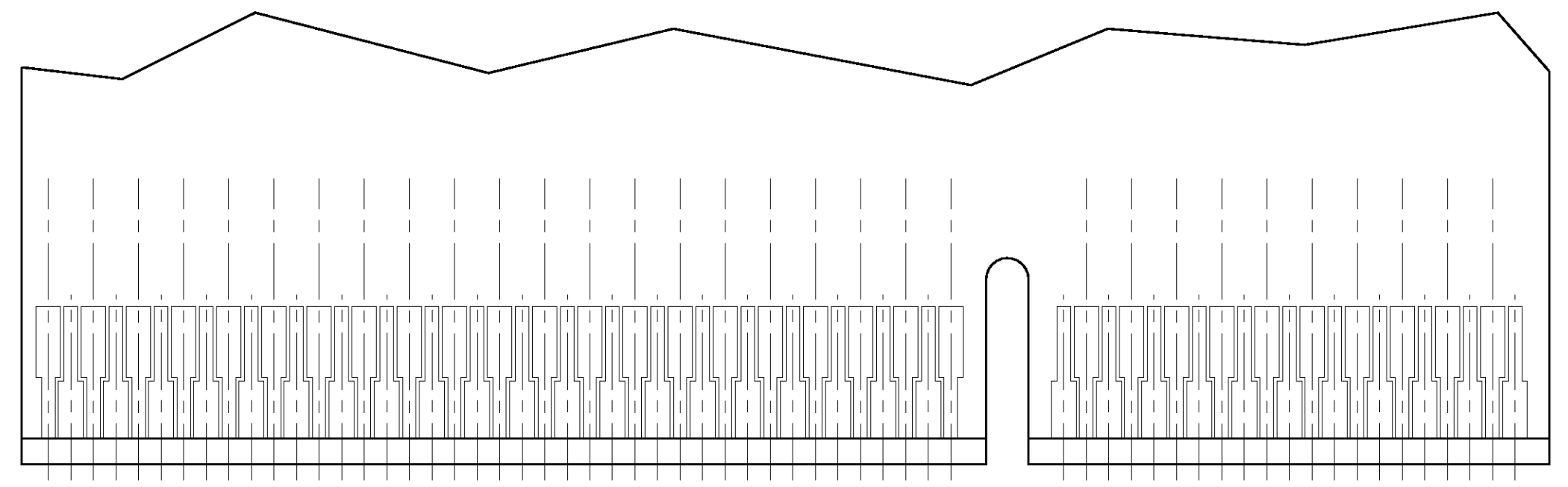
LOC	DIST	REVISIONS				
AD	14	REV	DESCRIPTION	DATE	OWN	APVD
		0	PRODUCT RELEASE	7/10/96	RB	MC
		A	REVISED PER 0430-0163-97	5/15/97	RB	MB
		B	REVISED PER 0430-0204-97	6/3/97	RB	MB
		C	REVISED PER 0430-0286-97	8/14/97	RB	MB
		D	REVISED PER 0651-0101-98	7/15/98	RB	DD
		E	REVISED PER 0651-0107-98	8/4/98	RB	DD
		F	REV PER EC 0651-0226-98	01/17/99	MM	EL
		G	REV PER EC 0651-0294-98	01/20/99	MM	DD
		H	REV PER 0651-0062-99	05/17/99	MM	EL



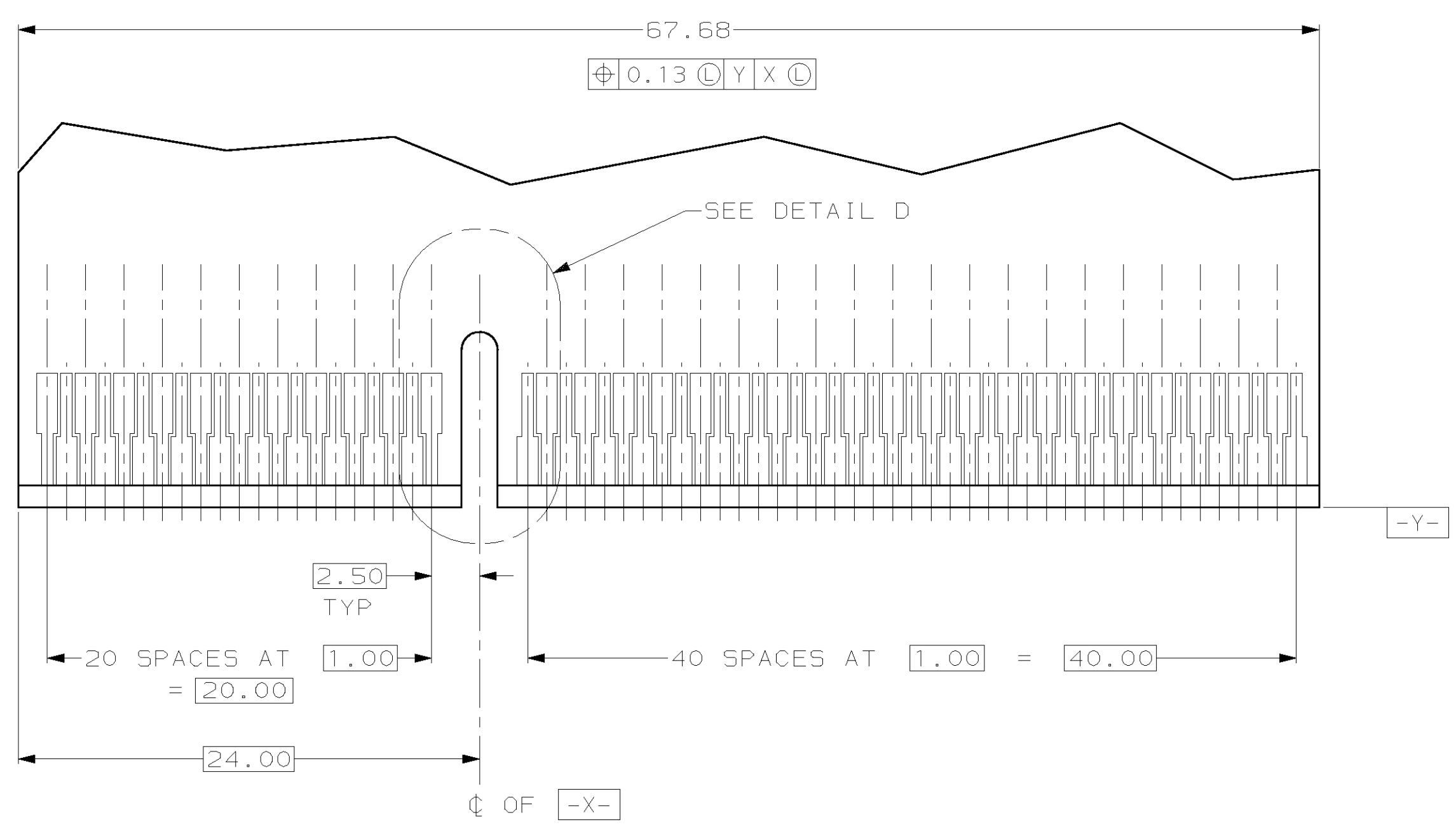
- ① MATERIAL: HOUSING, THERMOPLASTIC, COLOR: BROWN.
CONTACTS, PHOSPHOR BRONZE.
HOLD-DOWNS, BRASS.
- ② FINISH: CONTACTS, 1.27 MIN. MICROMETERS NICKEL ALL OVER,
0.38 MIN. MICROMETERS GOLD OVER NICKEL IN CONTACT AREA,
2.54 MIN MICROMETERS TIN-LEAD OVER NICKEL ON SOLDER TAILS.
- ③ FINISH: CONTACTS, 1.27 MIN. MICROMETERS NICKEL ALL OVER,
0.0254-0.0762 MICROMETERS GOLD OVER NICKEL IN CONTACT AREA.
2.54 MIN. MICROMETERS TIN-LEAD OVER NICKEL ON SOLDER TAILS.

③	3.18	145263-6
③	2.54	145263-5
③	3.18	145263-3
③	2.54	145263-2
③	2.16	145263-1
PLATING	W	PART NO

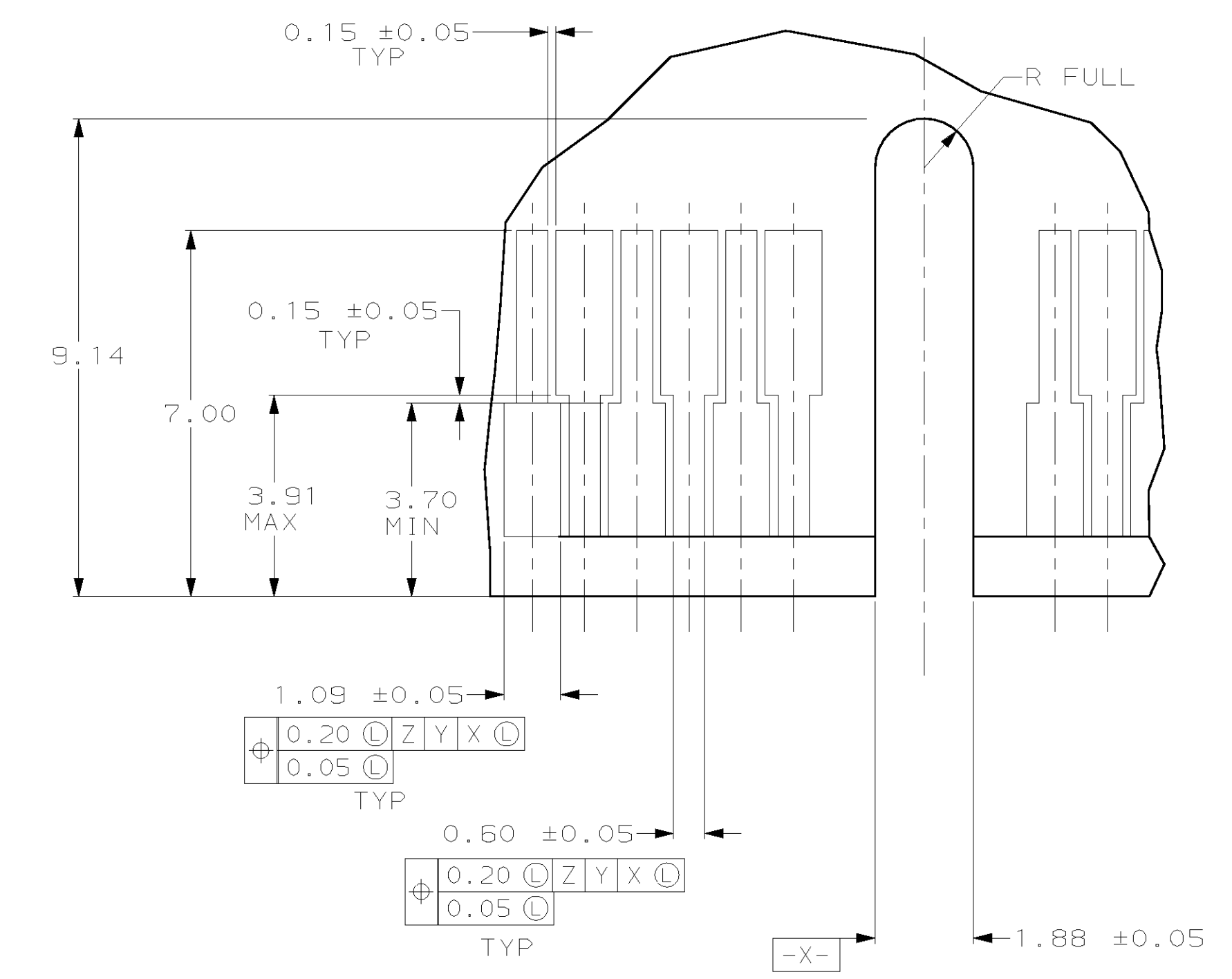
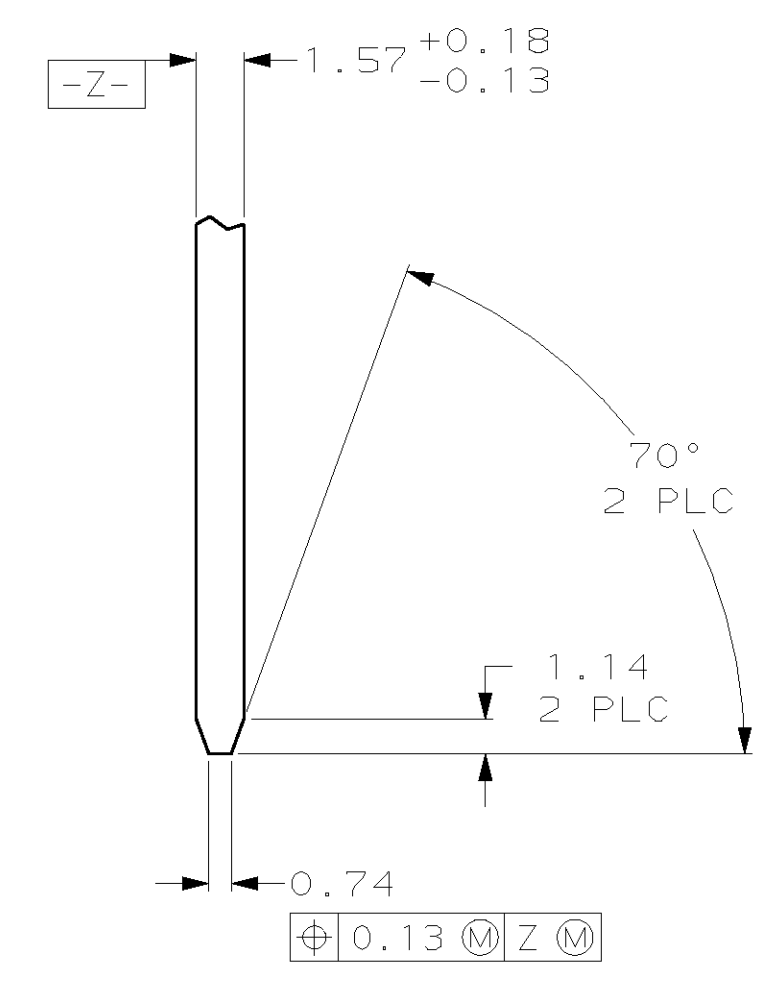
THIS DRAWING IS A CONTROLLED DOCUMENT.		DWN: R BROWN 1/7/97	AMP Incorporated Harrisburg, PA 17105-3608
DIMENSIONS: mm		CHK: M BOWERS 1/7/97	
TOLERANCES UNLESS OTHERWISE SPECIFIED:		APVD: D SARVER 1/7/97	NAME: D. SARVER
0 PLC ±	1 PLC ±0.13	PRODUCT SPEC: -	ASSEMBLY, 124 POSITION 1mm, CARD EDGE CONNECTOR
2 PLC ±	3 PLC ±	APPLICATION SPEC: -	SIZE: A1
4 PLC ±	ANGLES ±	WEIGHT: -	CAGE CODE: 00779
MATERIAL: △	FINISH: △△	CUSTOMER DRAWING	DRAWING NO: C-145263
		SCALE: 4:1	SHEET: 1 OF 2



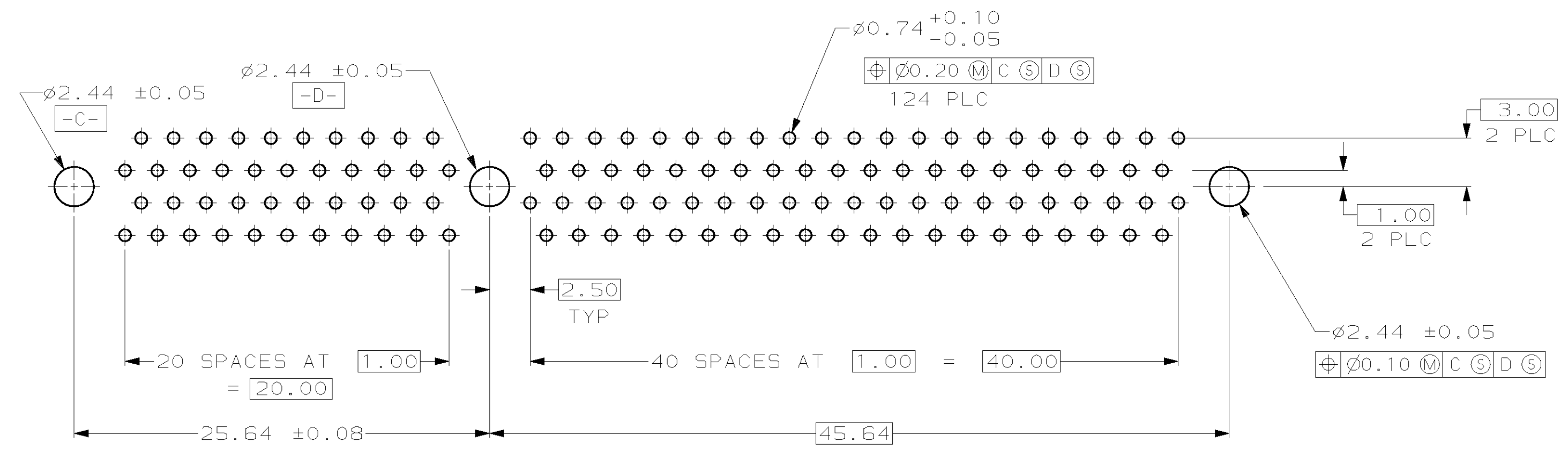
RECOMMENDED CONNECTOR MATING PAD PATTERN
 (SECONDARY SIDE SHOWN)



RECOMMENDED CONNECTOR MATING PAD PATTERN
 (PRIMARY SIDE SHOWN)



DETAIL D
 SCALE 10:1



RECOMMENDED CONNECTOR MOUNTING HOLE PATTERN
 (CONNECTOR SIDE SHOWN)

THIS DRAWING IS A CONTROLLED DOCUMENT.		DWN R. BROWN 1/7/97	AMP Incorporated Harrisburg, PA 17105-3608
DIMENSIONS:		CHK M. BOWERS 1/7/97	NAME
TOLERANCES UNLESS OTHERWISE SPECIFIED:		APPROV D. SARVER 1/7/97	PRODUCT SPEC
mm	0 PLC ±		APPLICATION SPEC
	1 PLC ±		
	2 PLC ±0.13		
	3 PLC ±		
	4 PLC ±		
	ANGLES ±2°		
MATERIAL	FINISH	WEIGHT	SCALE
	SEE TABLE		4:1
		CUSTOMER DRAWING	SHEET 2 OF 2
		ASSEMBLY, 124 POSITION 1mm CARD EDGE CONNECTOR	REV H
		A1 00779 C-145263	

- [Home](#)
- [Part Number Search](#)
- [Text Search](#)
- [Alternate Part Search](#)
- [Multiple Part Comparison](#)
- [Alphabetical Search](#)
- [Brand Search](#)
- [Industry Product Search](#)
- [Product Type Search](#)
- [Product Family Search](#)
- [Competitor Cross Reference](#)
- [Document Number Search](#)
- [Lead Free Solutions](#)
- [Help/Glossary](#)

Current Brand View	AMP	View All Tyco Electronics Brands <small>Click to activate links to all other products</small>
---------------------------	---------------------	--

Card Edge Connectors

[AMP](#) AGP, NLX, Slot 1 & 2 Connectors (Standard Edge 1mm)

[AMP](#) **145263-1** -- *1 of 9 products* [Active](#) [Active](#)

(Tyco Electronics P/N: 145263-1)

Next	Sales Information	AMP ACES	Step Search Screen
		Related Documents	General Information
		Pricing	Product Availability

Please use the customer drawing for all design activity.

- **Customer Drawing: 145263**, Rev. H
Document Title: ASSEMBLY, 124 POSITION 1mm, CARD EDGE CONNECTOR

[197251.pdf](#) [197251.pdf](#) (178K)

The photographs and/or line drawings below are representative images of a product for viewing purposes only.

[Product Photo](#)

Searchable Features:

Brand:	AMP
Product Type:	Connector
No. of Positions:	124
Bus Type:	AGP (Accelerated Graphic Port)
Connector Style:	Solder Tail
Termination Post Length (mm [in]):	2.15 [.085]
Contact Mating Area Plating:	Gold (15) over Nickel

Other Properties:

Centerline Spacing (mm [in]):	1.00 [.039]
Housing Material:	Thermoplastic
Housing Color:	Brown
Contact Material:	Phosphor Bronze
Solder Tail Plating:	Tin-Lead over Nickel
Holddown Material:	Brass
Holddown Plating:	Tin-Lead over Nickel
Hold-Down Length (mm [in]):	4.38 [.172]
PCB Mount Angle:	Vertical
Comment:	In addition to the active positions, each receptacle has four cavities on each end that are not loaded with contacts. These empty cavities aid in aligning the receptacle with header posts during mating.

[Copyright](#) and [Privacy Statement](#)

Visit [Tyco International, Ltd.](#)