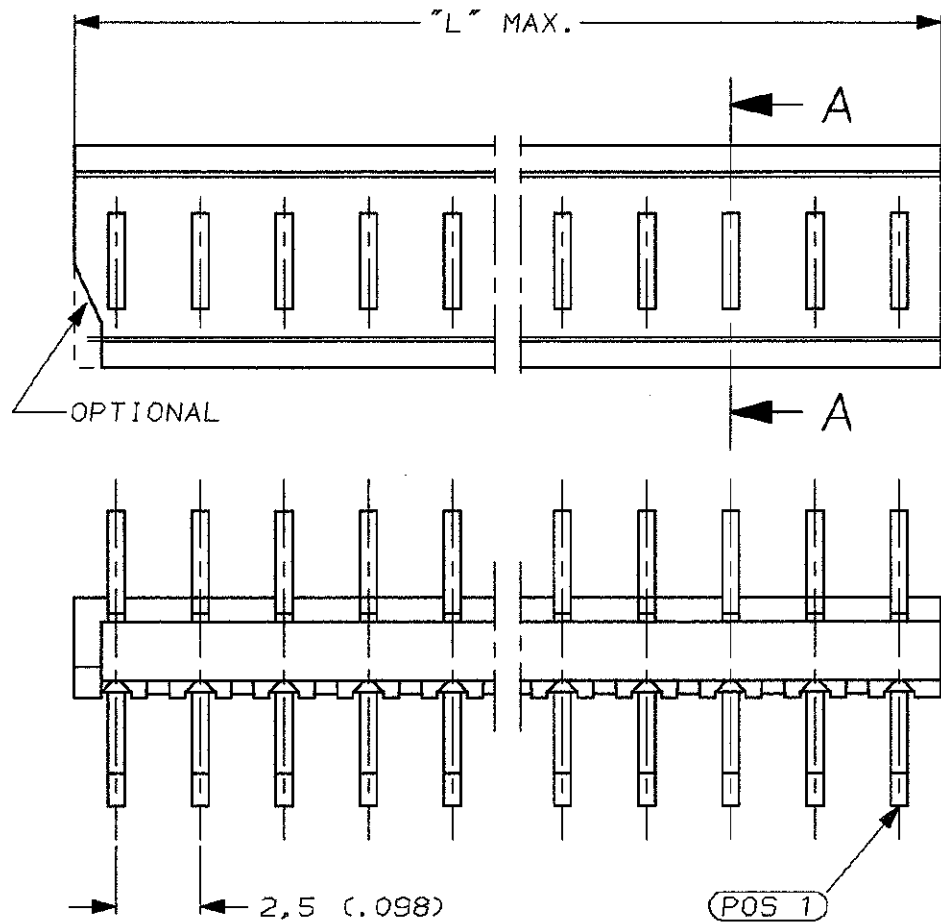
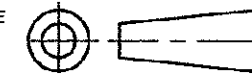


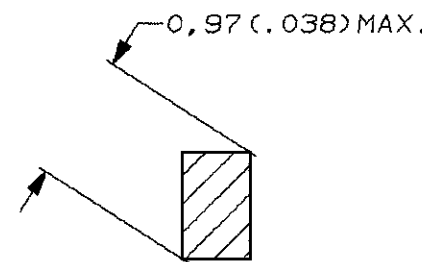
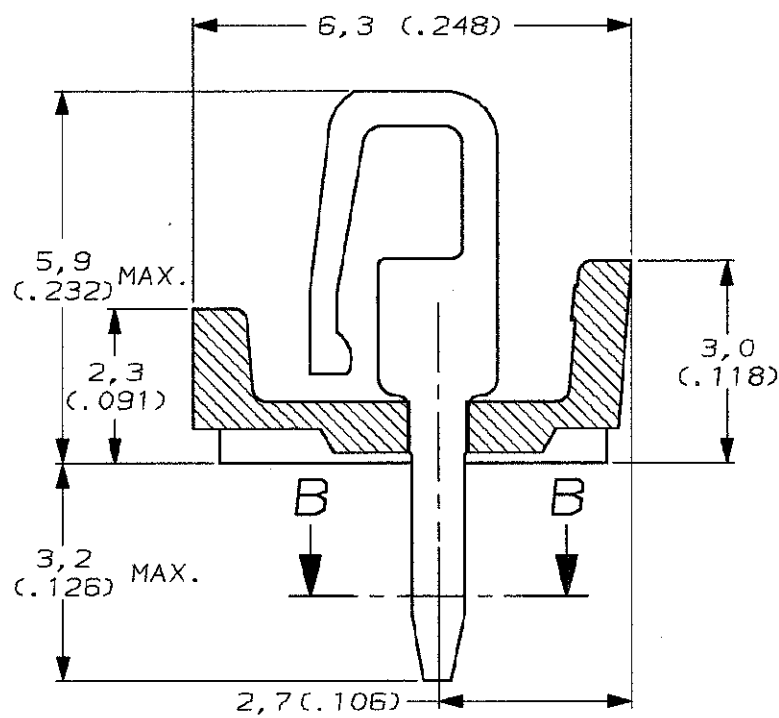
DO NOT SCALE
DIMENSIONS IN mm

METRIC

THIRD ANGLE
PROJECTION



PARTNUMBER	NUMBER OF POS.	"L" MAX.	
		mm	INCH
0-164713-2	2	5,0	.197
0-164713-3	3	7,5	.295
0-164713-4	4	10,0	.394
0-164713-5	5	12,5	.492
0-164713-6	6	15,0	.591
0-164713-7	7	17,5	.689
0-164713-8	8	20,0	.787
0-164713-9	9	22,5	.886
1-164713-0	10	25,0	.984
1-164713-1	11	27,5	1.083
1-164713-2	12	30,0	1.181
1-164713-3	13	32,5	1.280
1-164713-4	14	35,0	1.378
1-164713-5	15	37,5	1.476
1-164713-6	16	40,0	1.575
1-164713-7	17	42,5	1.673
1-164713-8	18	45,0	1.772
1-164713-9	19	47,5	1.870
2-164713-0	20	50,0	1.969



HOUSING: PBT 20% GLASSFILLED		SEE TABLE	
CONTACT: TIN-LEAD (93/7) OVER NICKEL PLATED BRASS		PARTNUMBER	
MATERIAL		CUSTOMER DRAWING FOR REFERENCE ONLY WILL NOT BE UPDATED	
-		© COPYRIGHT 19- BY AMP HOLLAND B.V.	
-		ALL INTERNATIONAL RIGHTS RESERVED. AMP PRODUCTS MAY BE COVERED BY U.S. AND FOREIGN AND/OR PATENTS PENDING.	
-		THIS DRAWING IS UNPUBLISHED	
-		RELEASED FOR PUBLICATION	
-		AMP HOLLAND B.V. 's-Hertogenbosch, The Netherlands.	
K	EH-1081-97	D.K.	R.H. 06 OCT 96
J	EH-0777-96	D.K.	Hvd 04 JUL 96
LTR.	REVISION RECORD	DR.	CHK. DATE
DR.:	D. KESSLER	CHK.:	H. v. DELFT
DATE:	04 JUL 96	DATE:	-
APP.:	E. LEIJTENS	DATE:	-
DWG. No. 164713		REV. LTR.	K
NAME MINI-MATCH CONN. ASS'Y 2-20 POS. 2,5mm PITCH		SHEET	1 OF 1
			A3

- [Home](#)
- [Part Number Search](#)
- [Text Search](#)
- [Alternate Part Search](#)
- [Multiple Part Comparison](#)
- [Alphabetical Search](#)
- [Brand Search](#)
- [Industry Product Search](#)
- [Product Type Search](#)
- [Product Family Search](#)
- [Competitor Cross Reference](#)
- [Document Number Search](#)
- [Lead Free Solutions](#)
- [Help/Glossary](#)

Current Brand View	View All Tyco Electronics Brands
AMP	Click to activate links to all other products

Mini-Match Connectors

2.5mm & 5mm Miniature Interconnection System - IDC (Mini-Match)

AMP **164713-2** -- 1 of 5 products **Active** [Active](#)

(Tyco Electronics P/N: 164713-2)

Next	Sales Information	AMP ACES	Step Search Screen
		Related Documents	General Information
		Pricing	Product Availability

Please use the customer drawing for all design activity.

- **Customer Drawing: 164713, Rev. K**
 Document Title: mini-match connector assembly 2-20 positions, 2,5mm pitch

[182139.pdf](#) [182139.pdf](#) (48K)

The photographs and/or line drawings below are representative images of a product for viewing purposes only.

[PCB Layout](#)

Searchable Features:

Brand:	AMP
Product Type:	Header
No. of Positions:	2
Terminate To:	Printed Circuit Board
Centerline (mm [in]):	2.50 [.098]
PCB Mount Angle:	Vertical
Contact Material:	Brass

Other Properties:

Color:	Green
Housing Material:	Thermoplastic Polyester
Material Flammability Rating:	UL 94V-0
Contact Mating Area Plating:	Tin-Lead

[Copyright](#) and [Privacy Statement](#)

Visit [Tyco International, Ltd.](#)

[Products](#) | [Brands](#) | [Industries](#) | [Customer Service](#) | [About](#) | [Home](#)