

NUMBER 173492
 METRIC
 3rd ANGLE PROJECTION

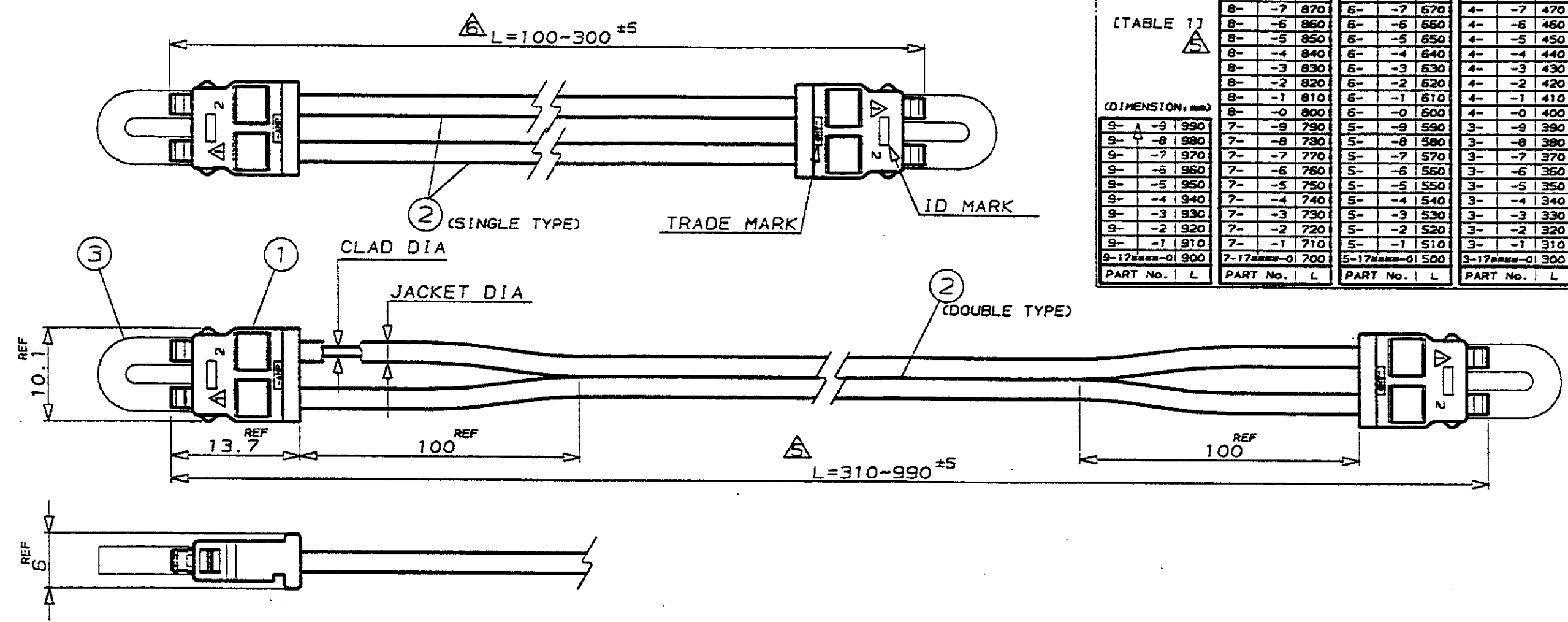


TABLE 1)
 (DIMENSION, mm)

8- -9 890	6- -9 690	4- -9 490	2- -9 290
8- -8 880	6- -8 680	4- -8 480	2- -8 280
8- -7 870	6- -7 670	4- -7 470	2- -7 270
8- -6 860	6- -6 660	4- -6 460	2- -6 260
8- -5 850	6- -5 650	4- -5 450	2- -5 250
8- -4 840	6- -4 640	4- -4 440	2- -4 240
8- -3 830	6- -3 630	4- -3 430	2- -3 230
8- -2 820	6- -2 620	4- -2 420	2- -2 220
8- -1 810	6- -1 610	4- -1 410	2- -1 210
8- -0 800	6- -0 600	4- -0 400	2- -0 200
9- -9 990	7- -9 790	5- -9 590	3- -9 390
9- -8 980	7- -8 780	5- -8 580	3- -8 380
9- -7 970	7- -7 770	5- -7 570	3- -7 370
9- -6 960	7- -6 760	5- -6 560	3- -6 360
9- -5 950	7- -5 750	5- -5 550	3- -5 350
9- -4 940	7- -4 740	5- -4 540	3- -4 340
9- -3 930	7- -3 730	5- -3 530	3- -3 330
9- -2 920	7- -2 720	5- -2 520	3- -2 320
9- -1 910	7- -1 710	5- -1 510	3- -1 310
9-17mm-01 900	7-17mm-01 700	5-17mm-01 500	3-17mm-01 300
PART No. L	PART No. L	PART No. L	PART No. L

NOTE: 1 OPTICAL POWER ATTENUATION IS 1.0dB MAX
 COMPARE WITH MASTER CABLE ASS'Y
 (マスターケーブルと比較した光パワーの損失は1.0dB以下とする)

2 CABLE RETENTION FORCE FOR PLUG (ケーブル保持力)
 FIBER CABLE 0.5φX1.5φ : 1.5Kg MIN
 0.75φX1.8φ : 4.0Kg MIN
 0.75φX2.2φ : 4.0Kg MIN
 1.0φX2.2φ : 5.0Kg MIN

3 FIBER CABLE ENDS TREATED BY HOT-PLATE FINISHING
 (ファイバー端面はホットプレート処理)

4 STORAGE CONDITION (保存条件)
 MINIMUM BENDING RADIUS: 100mm (最小曲げ半径)
 STORAGE TEMPERATURE : -40-85°C (保存周囲温度)

△ [TABLE 1] INDICATES THE RELATION BETWEEN P/N AND LENGTH "L"
 (表1にP/Nと長さ"L"の関係を表す)

③	PROTECTION TUBE	2	NA=0.47 (開口数)	1.0	2.2	100-22	*-173498-*	
②	FIBER CABLE	△		ATTENUATION =0.22dB/m (伝送損失)	0.75	2.2	75-22	*-173496-*
①	Mini-DNP PLUG ASS'Y	2			0.75	1.8	75-18	*-173494-*
③	PROTECTION TUBE	2		OPET TEMP. =-40-85°C (使用温度)	0.5	1.5	50-15	*-173492-*
②	FIBER CABLE (SINGLE OR DOUBLE TYPE)	△						
①	Mini-DNP PLUG ASS'Y	2						
ITEM	DESCRIPTION	Qty	PERFORMANCE	CLAD DIA	JACKET DIA	ID MARK	PART NUMBER	
			FIBER CABLE					

PRINT DIS
 DIMENSIONS IN MILLIMETERS. DO NOT SCALE PRINT

© 1985 BY AMP (Japan) LTD.
 ALL RIGHTS RESERVED.
 AMP PRODUCTS COVERED BY PATENTS
 AND OR PATENTS PENDING

AMP | AMP (JAPAN), LTD.
 Tokyo, Japan

WIRE RANGE: --- INSULATION DIA: --- NAME: Mini-DNP DUPLEX FIBER CABLE ASS'Y
 0.5φ EXTRA GRADE (L=100-990mm)

MATERIAL: --- FINISH: ---

01 ADDED P/N ECN No. J-10549 H.S. Z/ 6/5 '87 DR. H. SHOJI 6-4-'87 DE. H. SHOJI 6-4-'87

0 RELEASED ECN No. J-9919 H.S.E.Y. 6/5 '87 CHK. E. YOSHIDA 6-5-'87 APP. E. YOSHIDA 6-5-'87

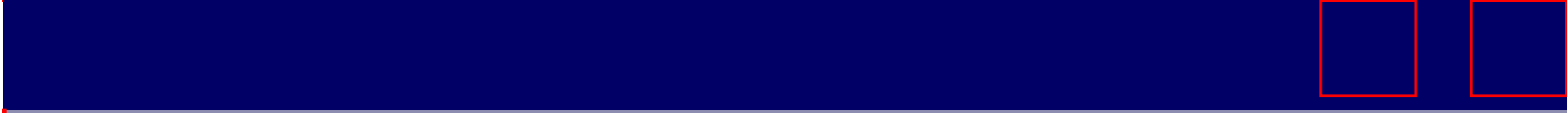
LTR REVISION RECORD DR. CHK. DATE CHK. APP.

GENERAL TOLERANCE: 0-40 : ±0.2, 10-40 : ±0.25, 30-40 : ±0.3, ANGLES : ±3°

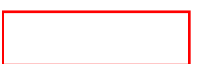
SIZE LOC NUMBER: A3 J 173492

SCALE: 2-1 REV. 01 SHEET 1 OF 1

CUSTOMER DRAWING



[Products](#) | [Brands](#) | [Industries](#) | [Customer Service](#) | [About](#)



- [Home](#)
- [Part Number Search](#)
- [Text Search](#)
- [Alternate Part Search](#)
- [Multiple Part Comparison](#)
- [Alphabetical Search](#)
- [Brand Search](#)
- [Industry Product Search](#)
- [Product Type Search](#)
- [Product Family Search](#)
- [Competitor Cross Reference](#)
- [Document Number Search](#)
- [Lead Free Solutions](#)
- [Help/Glossary](#)

Current Brand View	AMP	View All Tyco Electronics Brands <small>Click to activate links to all other products</small>
---------------------------	---------------------	--

Fiber Optic Products

Plastic Fiber Components

[AMP](#) **1-173492-0** -- 1 of 5 products [Active](#) [Active](#)

(Tyco Electronics P/N: 1-173492-0)

Next	Sales Information	AMP ACES	Step Search Screen
		Related Documents	General Information
		Pricing	Product Availability

Please use the customer drawing for all design activity.

- **Customer Drawing: 173492, Rev. 01**
 Document Title: MINI DNP DUPLEX FIBER CABLE
 ASSY, 0.5 EXTRA GRADE (L=100 990MM)
 [165829.pdf](#) [165829.pdf](#) (87K)

The photographs and/or line drawings below are representative images of a product for viewing purposes only.

[Product Photo](#)

Searchable Features:

Brand:	AMP
Product Type:	Cable Assembly
Connector Type:	Mini-DNP
No. of Positions:	Dual
Gender:	Plug
Cable Length (mm [in]):	99.06 [3.900]
Fiber Size (Micron):	0.5 mm
Jacket Outer Diameter (mm [in]):	1.50 [.059]

[Copyright](#) and [Privacy Statement](#)

Visit [Tyco International, Ltd.](#)

[Products](#) | [Brands](#) | [Industries](#) | [Customer Service](#) | [About](#) | [Home](#)