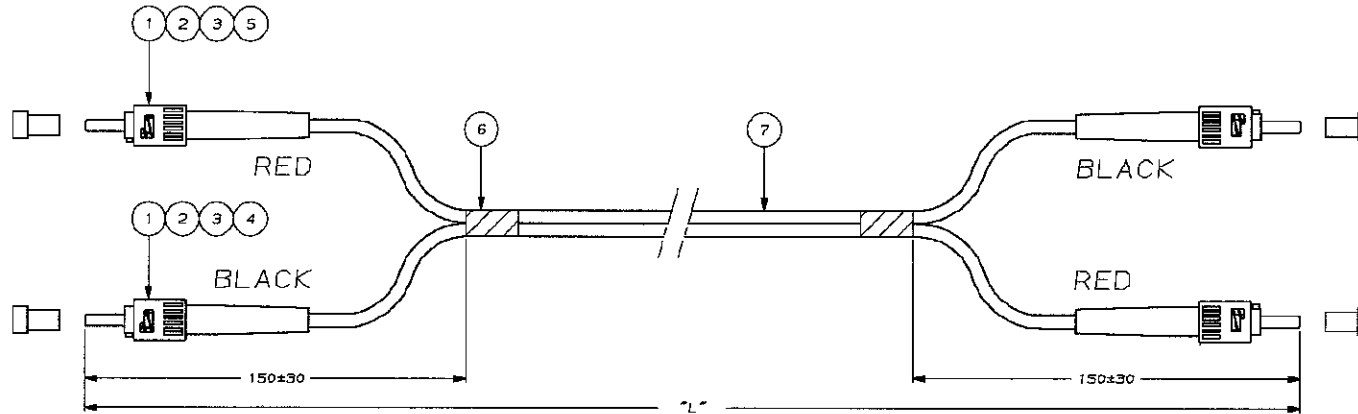


DO NOT SCALE
DIMENSIONS IN mm

METRIC



NOTES.

- ATTENUATION $< 0,3$ dB, MEASURED AT 1300 nm ACC. IEC 874-1
CLAUSE 4.4.7. METHOD 7 EQUILIBRIUM MODE CONDITION
- ACTUAL ATTENUATION SUPPLIED ON TEST RESULT SHEET PER INDIVIDUALLY PACKED ASSEMBLY
- CABLE INFO.
 - FIBRE CORE: 50 μ m
 - JACKET MATERIAL: LOW SMOKE ZERO HALOGEN
 - JACKET COLOUR: ORANGE
 - OUTER DIAMETER: 2,5 X 5,0 mm

PART NUMBER	"L" (METER)
0-0349561-1	1,0 -0/+0,2
0-0349561-2	2,0 -0/+0,2
0-0349561-3	3,0 -0/+0,2
0-0349561-4	4,0 -0/+0,2
0-0349561-5	5,0 -0/+0,2
0-0349561-6	6,0 -0/+0,2
0-0349561-7	7,0 -0/+0,2
0-0349561-8	8,0 -0/+0,2
0-0349561-9	9,0 -0/+0,2
1-0349561-0	10,0 -0/+0,2

QTY	PART NUMBER	DESCRIPTION	ITEM
1	-	FO CABLE 50/125 DES TWIN ZIP 2,5mm	?
2	-	WRAP AROUND LABEL, DAT-85	6
2	-	ST BOOT, RED	5
2	-	ST BOOT, BLACK	4
4	-	ST CRIMP EYELET	3
4	-	ST CERAMIC, OVERMOLDED	2
4	-	FERRULE DUST CAP, BLACK	1

REV.	REVISION RECORD	DR.	CHK.	DATE	NAME	DESCRIPTION	SHEET
1		HN	MY	03 APR 98		FOCA ST CERAMIC DUPLEX 50/125 TWIN ZIP 2,5mm	1 of 1
2							A2

CUSTOMER DRAWING FOR REFERENCE ONLY. WILL NOT BE UPDATED.
 © COPYRIGHT 1985 BY AMP-HOLLAND B.V.
 ALL INTERNATIONAL RIGHTS RESERVED. AMP PRODUCTS MAY BE COVERED BY U.S. AND FOREIGN PATENTS AND/OR PATENTS PENDING.
 THIS DRAWING IS UNCLASSIFIED AND RELEASED FOR PUBLICATION.

AMP
 AMP-HOLLAND B.V.
 't Hartogenbosch,
 The Netherlands.