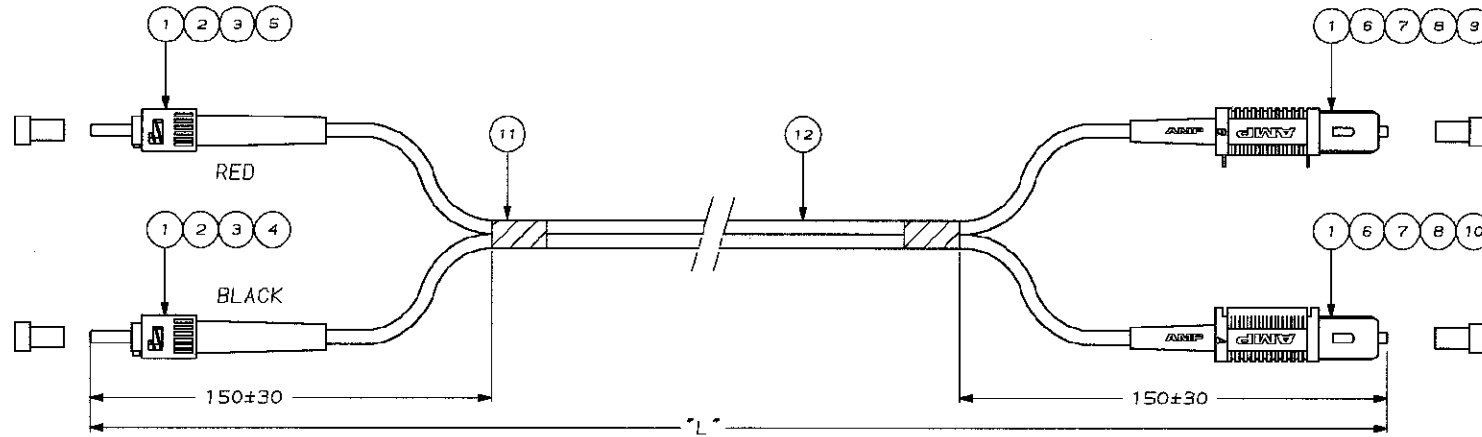


DO NOT SCALE  
DIMENSIONS IN mm

METRIC

THIRD ANGLE  
PROJECTION



PART NUMBER	"L" ( METER )
0-0349580-1	1,0 -0/+0,2
0-0349580-2	2,0 -0/+0,2
0-0349580-3	3,0 -0/+0,2
0-0349580-4	4,0 -0/+0,2
0-0349580-5	5,0 -0/+0,2
0-0349580-6	6,0 -0/+0,2
0-0349580-7	7,0 -0/+0,2
0-0349580-8	8,0 -0/+0,2
0-0349580-9	9,0 -0/+0,2
1-0349580-0	10,0 -0/+0,2

NOTES:

- ATTENUATION  $\leq 0,3$  dB, MEASURED AT 1300 nm ACC. IEC 874-1  
CLAUSE 4.4.7. METHOD 7 EQUILIBRIUM MODE CONDITION
- ACTUAL ATTENUATION SUPPLIED ON TEST RESULT SHEET PER  
INDIVIDUALLY PACKED ASSEMBLY
- CABLE INFO:
  - FIBRE CORE: 62,5  $\mu$ m
  - JACKET MATERIAL: LOW SMOKE ZERO HALOGEN
  - JACKET COLOUR: ORANGE
  - OUTER DIAMETER: 2,5 X 5,0 mm

QTY	PART NUMBER	DESCRIPTION	ITEM
L	-	FO CABLE 62,5/125 DES TWIN ZIP 2,5mm	12
2	-	WRAP AROUND LABEL, DAT-85	11
1	-	SC DUPLEX HOUSING, BEAM HALF	10
1	-	SC DUPLEX HOUSING, RETENTION PLATE HALF	9
2	-	SC CERAMIC, OVERMOLDED	8
2	-	SC CRIMP EYELET	7
2	-	SC BOOT, BEIGE	6
1	-	ST BOOT, RED	5
1	-	ST BOOT, BLACK	4
2	-	ST CRIMP EYELET	3
2	-	ST CERAMIC, OVERMOLDED	2
4	-	FERRULE DUST CAP, BLACK	1

SEE TABLE	PART NUMBER	DESCRIPTION	ITEM
-	-	CUSTOMER DRAWING FOR REFERENCE ONLY WILL NOT BE UPDATED	-
-	-	© COPYRIGHT 19- BY AMP-HOLLAND B.V. ALL INTERNATIONAL RIGHTS RESERVED. AMP PRODUCTS MAY BE COVERED BY U.S. AND FOREIGN AND/OR PATENTS PENDING. THIS DRAWING IS UNPUBLISHED RELEASED FOR PUBLICATION	-
-	-	<b>AMP</b>   AMP-HOLLAND B.V. 's-Hertogenbosch, The Netherlands.	-
C	EH-0907-98	NAME	24 JUN 98
B	EH-0491-98	NAME	03 APR 98
LTR.	REVISION RECORD	DR. CHK. DATE	
DR.	H. NEMAIS	CHK.	H. NEMAIS
DATE:	03 APR 98	DATE:	03 APR 98
APP.	H. NEMAIS	DATE:	03 APR 98
DRG. NO.	C-349580		
REV. LTR.	C	1 of 1	A2