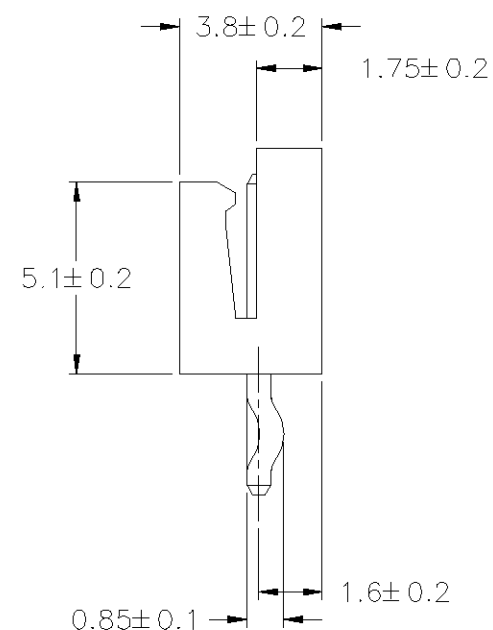
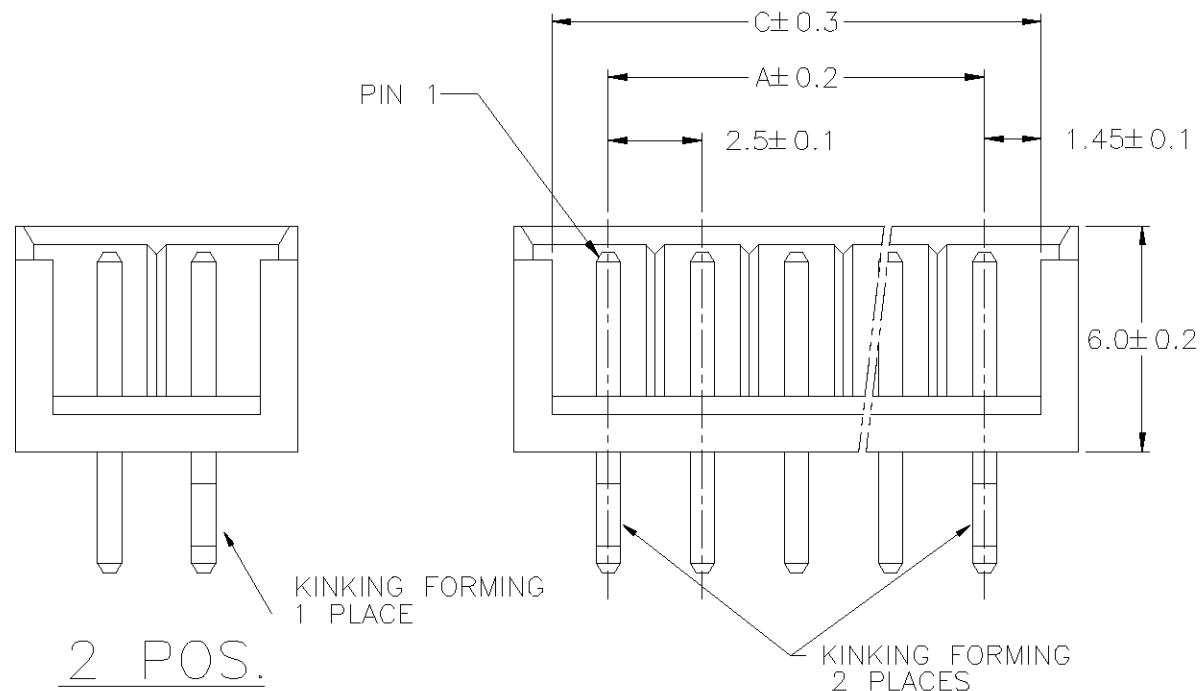
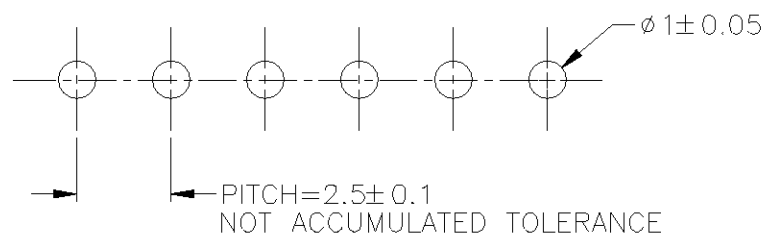


- 1. MATERIAL : HOUSING - NYLON 66 (UL94V-0)
POST - TIN LEAD PLATED BRASS.
- 2. PRODUCT SPEC : 108-57012
- 3. MATING COUNTER PART NUMBER : P/N 177534



2 POS.

3~15 POS.



RECOMMENDED PC BOARD LAYOUT
(PC BOARD THK=1.0~1.6)

37.9	40.0	35.0	15	1-11240-5
35.4	37.5	32.5	14	1- -4
32.9	35.0	30.0	13	1- -3
30.4	32.5	27.5	12	1- -2
27.9	30.0	25.0	11	1- -1
25.4	27.5	22.5	10	1- -0
22.9	25.0	20.0	9	0- -9
20.4	22.5	17.5	8	0- -8
17.9	20.0	15.0	7	0- -7
15.4	17.5	12.5	6	0- -6
12.9	15.0	10.0	5	0- -5
10.4	12.5	7.5	4	0- -4
7.9	10.0	5.0	3	0- -3
5.4	7.5	2.5	2	0-11240-2
C	B	A	POS.	PART NUMBER

© 1998 BY AMP MANUFACTURING TAIWAN LTD.
ALL RIGHTS RESERVED.
PRODUCTS ARE COVERED BY PATENTS
AND/OR PATENTS PENDING.



(WIRE RANGE)	(INSULATION DIA.)	(DISCRPTION)
(MATERIAL)	(FINISH)	POST HEADER ASSEMBLY, SQUARE PIN VERTICAL TYPE 2.5 mm PITCH METRIC INTERCONNECT SYSTEM
SEE NOTE 1.	SEE NOTE 1.	GENERAL TOLERANCE BELOW 10: ±0.2 10 ~ 30: ±0.25 30 ~ 100: ±0.3 ANGEL: ±0.3
A	REVISED FW00-0158-98	PC GL DEC/98
0	FIRST OFFICIAL RELEASED	STEVEN ROBERT JAN/99
LTR.	REVISION RECORD	DR. 8-DEC-98 PETER CHANG CHK. 8-DEC-98 GREG LIN
RE.	APP. 8-DEC-98	PETER CHANG
SIZE	LOC	(NO.)
A3	DW	C-11240
SHEET	REV	(SCALE)
1 OF 1	A	5:1

(CUSTOMER DRAWING)

DIMENSIONS IN mm. DO NOT SCALE PRINT.

PRINT DW