

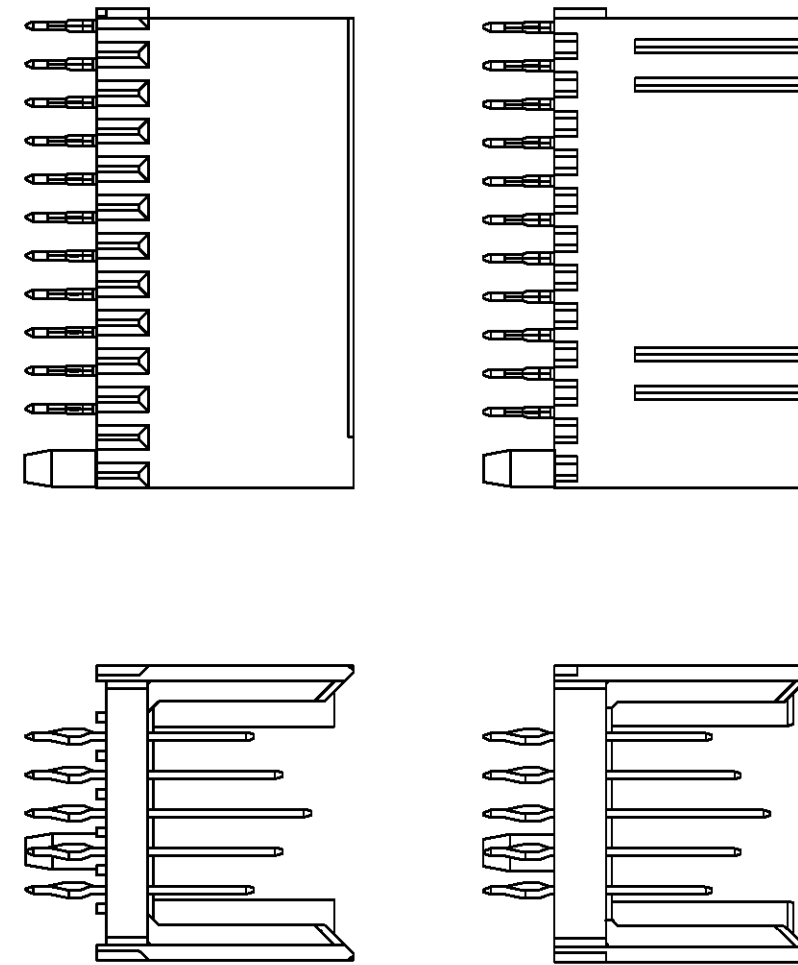
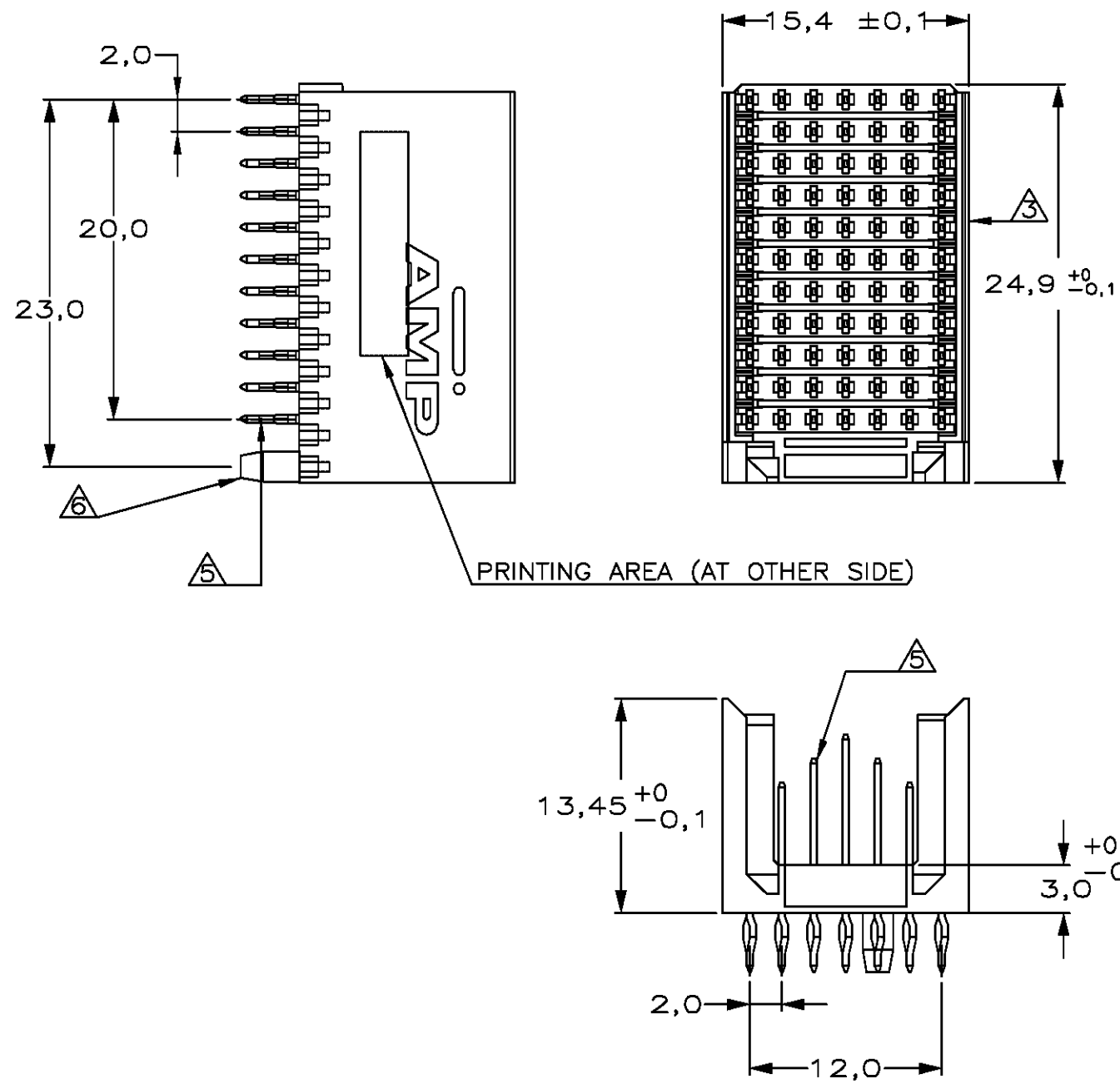
### CONNECTOR ASSEMBLY EXEMPLARY LOADED

### CONNECTOR APPEARANCES POSSIBLE VERSIONS

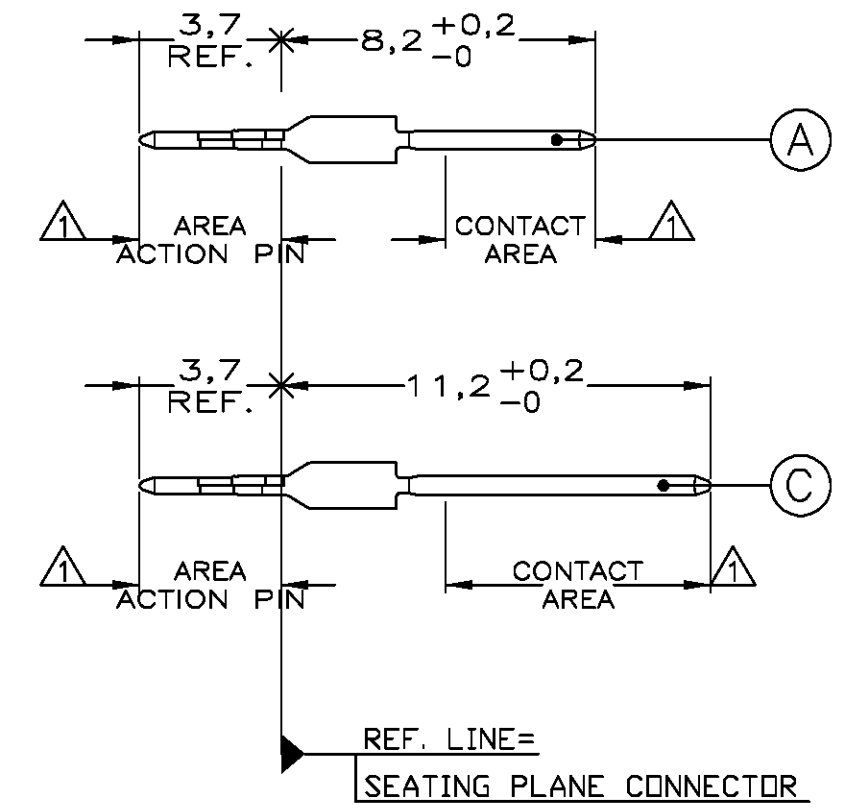
### CONTACT LAYOUT

REVISONS		DATE	DWN	APVD
P	LTR	DESCRIPTION		
D	EH-0432-96		04-APR-'95	Jv
E	EH-0230-96		13-FEB-'96	DT
F	SR10-0330-01		27-JUL-'01	FB

### CONTACT DIMENSIONS

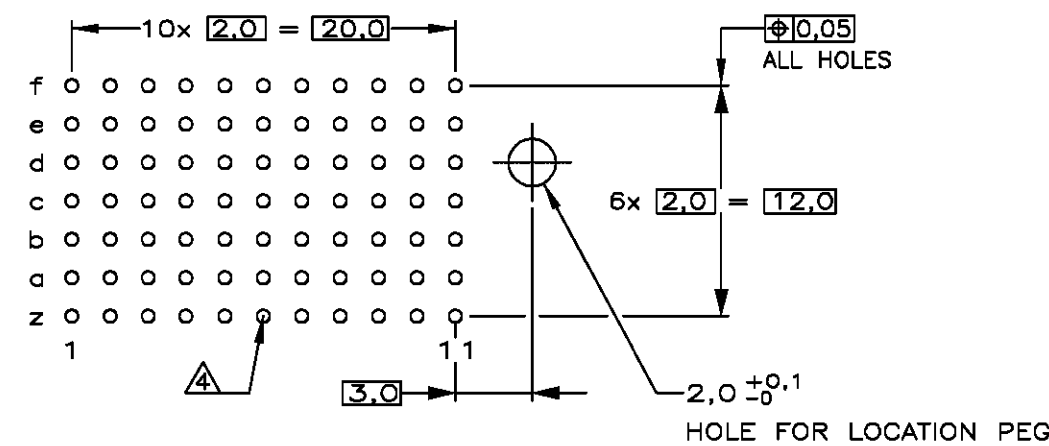


	z	a	b	c	d	e	f
1	C	A	A	A	A	A	C
2	C	A	A	A	A	A	C
3	C	A	A	A	A	A	C
4	C	A	A	A	A	A	C
5	C	A	A	A	A	A	C
6	C	A	A	A	A	A	C
7	C	A	A	A	A	A	C
8	C	A	A	A	A	A	C
9	C	A	A	A	A	A	C
10	C	A	A	A	A	A	C
11	C	A	A	A	A	A	C
GUIDING							



#### NOTES:

- △ FOR FINISH TYPES SEE PLATING TABLE.
- 2 MATERIAL CONTACT: PHOSPHORBRONZE.  
MATERIAL HOUSING: GREY GLASSFILLED POLYESTER  
UL-RATING 94V0.
- △ CONNECTOR MARKED WITH PART NUMBER AND DATE CODE.
- △ PLATED-THROUGH HOLES AT 2x2mm SQUARE GRID,
- △ FOR ACTUAL PIN LOADING SEE "CONTACT LAYOUT".
- △ LOCATION PEG.
- △ CONNECTOR LUBRICATED WITH BELCORE  
APPROVED LUBRICANT TECHNICAL REFERENCE  
TR-NWT-001217 ISSUE 1 SEPT 1992



#### RECOMMENDED PCB-HOLE LAY-OUT COMPONENT SIDE SHOWN

#### P.C.B. HOLE DIM. ACTION PIN

DRILLED HOLE: 0,7 ± 0,025mm  
 FIN. HOLE : 0,55 TO 0,65mm  
 Cu-thks : 0,025 TO 0,050mm  
 SnPb-thks : 0,004 TO 0,010mm

PART NUMBER	UNDER-COATING µm Ni MIN.	CONTACT AREA µm Au MIN.	ACTION-PIN AREA µm Sn/Pb	CONSERVATION TREATMENT	MATERIAL
1-106081-9	1,27	1,27	0,5-2,5	Yes △	△
0-106081-9	1,27	0,76	0,5-2,5	Yes △	△
0-106081-4	1,27	1,27	0,5-2,5	No	△
0-106081-2	2,00	2,00	0,5-2,5	No	△
0-106081-1	1,27	0,76	0,5-2,5	No	△

THIS DRAWING IS A CONTROLLED DOCUMENT.

DWN: Frederik Beun 27-JUL-'01  
 CHK: -  
 APVD: -  
 PRODUCT SPEC: -  
 APPLICATION SPEC: -

**tyco Electronics**  
 Tyco Electronics Corporation  
 Oostkamp - BELGIUM

Z-PACK 2mm HM TYPE C  
 77 POS. MALE  
 CONNECTOR ASSEMBLY

SIZE: A2 CAGE CODE: 00779 DRAWING NO: C=0106081 RESTRICTED TO: -  
 WEIGHT: -  
 CUSTOMER DRAWING SCALE: 5:1 SHEET: 1 OF 1 REV: F