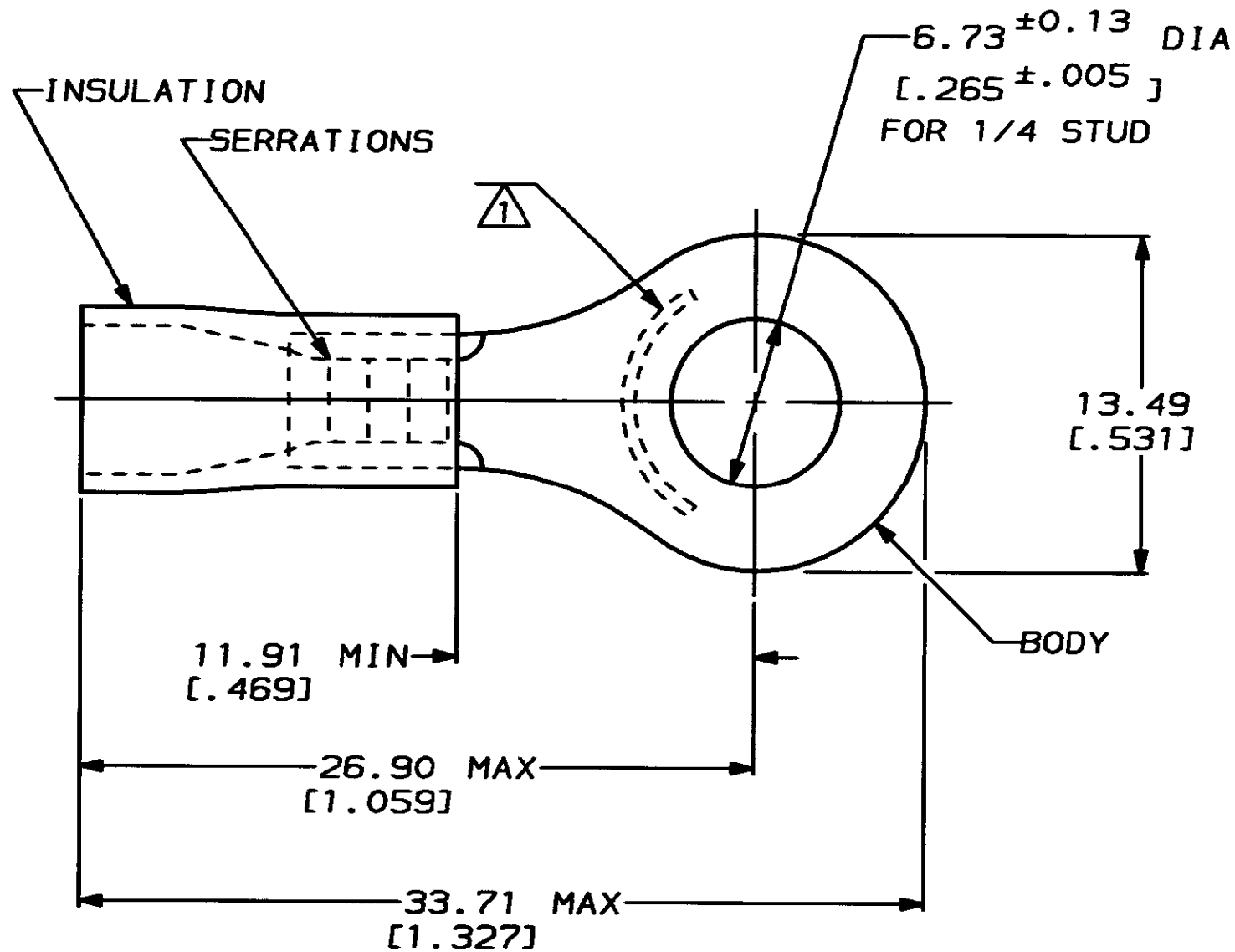


THIS DRAWING IS UNPUBLISHED. RELEASED FOR PUBLICATION .19 .
 © COPYRIGHT 19 BY AMP INCORPORATED. ALL INTERNATIONAL RIGHTS RESERVED.

LOC	DIST	P	F	REVISIONS				
G	14			ZONE	LTR	DESCRIPTION	DATE	APPD
				G		REV / 0720-0091-93	6/93	ME

AMP WIRE RANGE	Listed	LR7189 Certified
12-10 AWG SOLID OR STRANDED	12-10 AWG SOLID OR STRANDED	12-10 AWG SOLID OR STRANDED

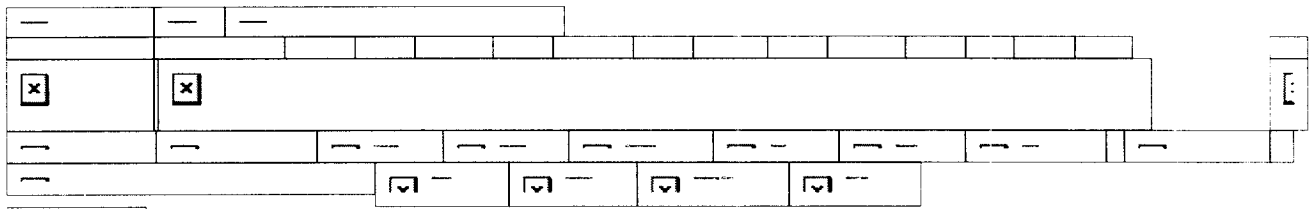
METRIC
 DIMENSIONS LISTED IN mm [INCHES]



- 1 STAMP AMP 12-10* APPROX AS SHOWN
- 2 WIRE INSULATION DIA: .150-.230
- 3 TONGUE MATERIAL THK: 1.02±0.05 [.040±.002]

50	LOOSE PC, BOX	8-34171-2
2500	ON TAPE, REEL	2-34171-1
-	LOOSE PIECE	34171
QUANTITY	PACKAGE TYPE	PART NO

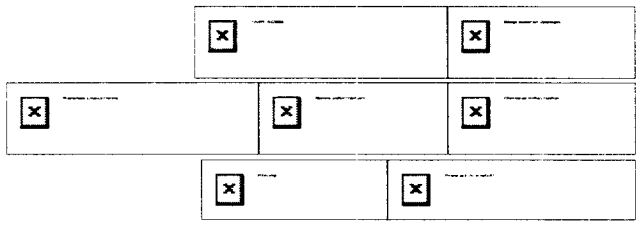
AMP INCORPORATED		CUSTOMER SERVICE SYSTEMS		MAX RECOMMENDED OPERATING TEMPERATURE: 90°C MAX		DO NOT SCALE PRINT. UNLESS SPECIFIED DIMENSIONS IN — INCHES— TOLERANCES ON: 2 PLC DEC ± 0.20(.008) 3 PLC DEC ± - ANGLES ± -		DR 08/08/92 OK SCHRUM CHK 11/10/92 RE HERSEY APPD 11/10/92 NL ELLIS APPD 11/10/92 N BARBARA		AMP AMP Incorporated Harrisburg, PA 17105-3508	
FOR ADDITIONAL PRODUCT INFORMATION OR COPIES OF DRAWINGS AND TECHNICAL DOCUMENTS	PRODUCT INFORMATION CENTER 1-800-522-6752	VOLTAGE RATING: NOT APPLICABLE		CIRCULAR MIL AREA: 2.62-6.64mm² [5, 180-13, 100] SOLID OR STRANDED		MATERIAL COPPER PER ASTM B-152 PVC COLOR: YELLOW		PRODUCT SPEC 108-1034		NAME TERMINAL, RING TONGUE, PLASTI-GRIP™	
FOR APPLICATION TOOLING INFORMATION	TOOLING ASSISTANCE CENTER 1-800-722-1111	FINISH TIN PLATE PER MIL-T-10727		THIS DRAWING IS A CONTROLLED DOCUMENT FOR AMP INCORPORATED. IT IS SUBJECT TO CHANGE AND THE CONTROLLING ENGINEERING ORGANIZATION SHOULD BE CONTACTED FOR THE LATEST REVISION.		APPLICATION SPEC NOT AVAILABLE		WEIGHT -		SIZE CASE CODE DRAWING NO B 00779 C-34171	
FOR ORDER ENTRY	1-800-526-5142									SCALE SHEET 4:1 1 OF 1	



- Part Number Search
- Alphabetical Search
- Product Type Search
- Product Family Search
- Picture Search
- Industry Product Search
- Competitor Cross Reference
- Document Number Search
- Help/Glossary

Terminals and Splices Ring and Spade Tongue Terminals

2-34171-1 -- 1 of 1 products Active



Please use the customer drawing for all design activity.

- **Customer Drawing: 34171, Rev. G**
Document Title: terminal ring tongue plasti-grip
 [160494.pdf \(46K\)](#)

*Please use the customer drawing for all design activity.
The photographs and/or line drawings below are
representative images of a product for viewing purposes
only.*

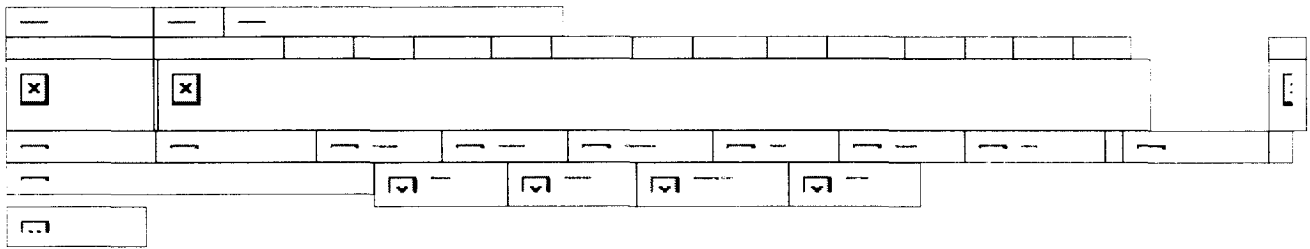
Product Photo

Searchable Features:		Other Properties:	
Terminal Shape:	Ring Tongue	Voltage:	600 Volt
Body Style:	PLASTI-GRIP	Tongue Material Thickness (mm [in]):	1.02 [.040]
Receptacle Style:	Straight	Color:	Yellow
Barrel Type:	Closed Barrel	Insulation Material:	Vinyl
Wire/Cable Type:	Regular Wire	Packaging Quantity:	2500/Reel
Wire Range (mm [AWG]):	2.62-6.64 ² [12-10]	Comment:	Metal Ramped Nut, Zinc
Wire Range (CMA):	5,180-13,100		
Insulation:	Yes		
Insulation Support:	Insulation Support		
Insulation Diameter (mm [in]):	3.81-5.84 [.150-.230]		

Stud Size:	1/4 [M6]
Stud Diameter (mm [in]):	6.73 [.265]
Shape:	RING-043
Heavy Duty:	Standard
Packaging Method:	Tape Mounted
Material:	Copper
Finish:	Tin
Industry Application:	Standard

Copyright and Privacy Statement Tyco Electronics Corporation
Visit [Tyco International, Ltd.](#)

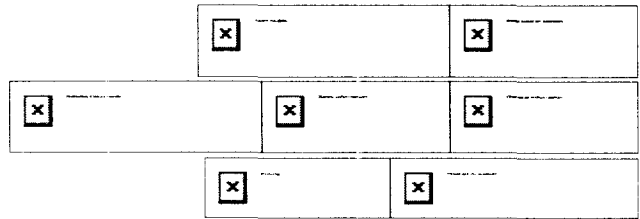
[\[back to top\]](#)
[Products](#) | [Industries](#) | [Commerce](#) | [About](#) | [Support](#) | [Home](#)



- Part Number Search
- Alphabetical Search
- Product Type Search
- Product Family Search
- Picture Search
- Industry Product Search
- Competitor Cross Reference
- Document Number Search
- Help/Glossary

Terminals and Splices Ring and Spade Tongue Terminals

34171 -- 1 of 1 products Active



Please use the customer drawing for all design activity.

- Customer Drawing: 34171, Rev. G
Document Title: terminal ring tongue plasti-grip
 [160494.pdf \(46K\)](#)

*Please use the customer drawing for all design activity.
The photographs and/or line drawings below are
representative images of a product for viewing purposes
only.*

Product Photo

Searchable Features:

Terminal Shape:	Ring Tongue
Body Style:	PLASTI-GRIP
Receptacle Style:	Straight
Barrel Type:	Closed Barrel
Wire/Cable Type:	Regular Wire
Wire Range (mm [AWG]):	2.62-6.64 ² [12-10]
Wire Range (CMA):	5,180-13,100
Insulation:	Yes
Insulation Support:	Insulation Support
Insulation Diameter (mm [in]):	3.81-5.84 [.150-.230]

Other Properties:

Voltage:	600 Volt
Tongue Material Thickness (mm [in]):	1.02 [.040]
Color:	Yellow
Insulation Material:	Vinyl
Comment:	Metal Ramped Nut, Zinc

Stud Size:	1/4 [M6]
Stud Diameter (mm [in]):	6.73 [.265]
Shape:	RING-043
Heavy Duty:	Standard
Packaging Method:	Loose Piece
Material:	Copper
Finish:	Tin
Industry Application:	Standard

Copyright and Privacy Statement Tyco Electronics Corporation
Visit [Tyco International, Ltd.](#)

[\[back to top\]](#)
[Products](#) | [Industries](#) | [Commerce](#) | [About](#) | [Support](#) | [Home](#)