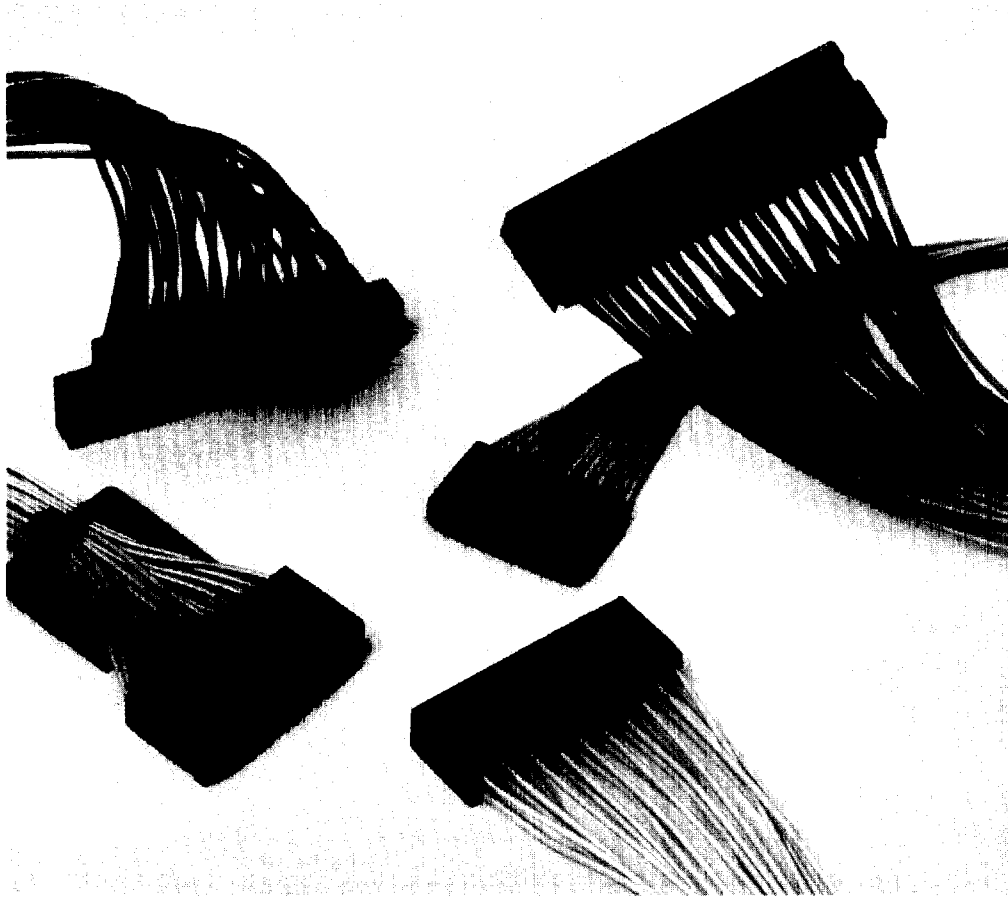




*Specifications subject to change.
For latest design specifications...
1-800-522-6752*



Product Facts

- Terminates 32-20 AWG discrete wire
- Contacts have insulation support
- Choice of three contact mating pressures
- Available in a variety of gold and tin platings
- Receptacles mate with .025 square or round posts
- Dual cantilever contact beam with built-in anti-overstress feature for reliable matings
- Housings accept a variety of receptacle and pin contacts
- Housing sizes range up to 100 positions
- Housing configurations include single, double and triple rows on .100, .125 and .150 centerlines
- Housing options include detent latching, polarization, mounting ears and bonded strain relief/pull tabs
- Recognized under the Component Program of Underwriters Laboratories Inc., File No. E28476 
- Certified by Canadian Standards Association, File No. LR 16455 

Performance Characteristics

Contact Current Rating: 3 amperes

Termination Resistance: 12 milliohms (max.)

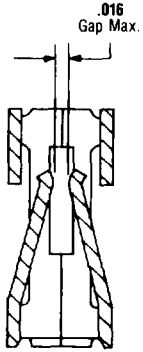
	Standard Pressure Receptacle	Intermediate Pressure Receptacle	High Pressure Receptacle
Maximum Mating Force	9.0 oz.	16.0 oz.	20.0 oz.
Minimum Unmating Force	1.5 oz.	2.0 oz.	3.0 oz.
Durability Test Results			
.000030 gold	200 cycles	150 cycles	50 cycles
.000015 gold	75 cycles	50 cycles	—
.000100 tin	75 cycles	50 cycles	25 cycles

Mod. IV Pin and Receptacle Contacts

Specifications subject to change.
For latest design specifications...
1-800-522-6752

Dimensioning:
Dimensions are in inches

Crimp Snap-In (No-strip) Receptacle, Crimp Snap-In Pins with Insulation Support and Special Solder Tab and Card Extender Receptacles (Standard Pressure)



Standard Pressure Configuration

Related Product Data:

Housings Used With -
pages 3162 - 3173

Performance Characteristics -
page 3158

Application Tooling - page 3221

Technical Documents -
page 3223

Plating Specifications:

Duplex C— .000030 gold on contact area, .000100-.000200 tin-lead on crimp area, with entire contact underplated .000050 nickel

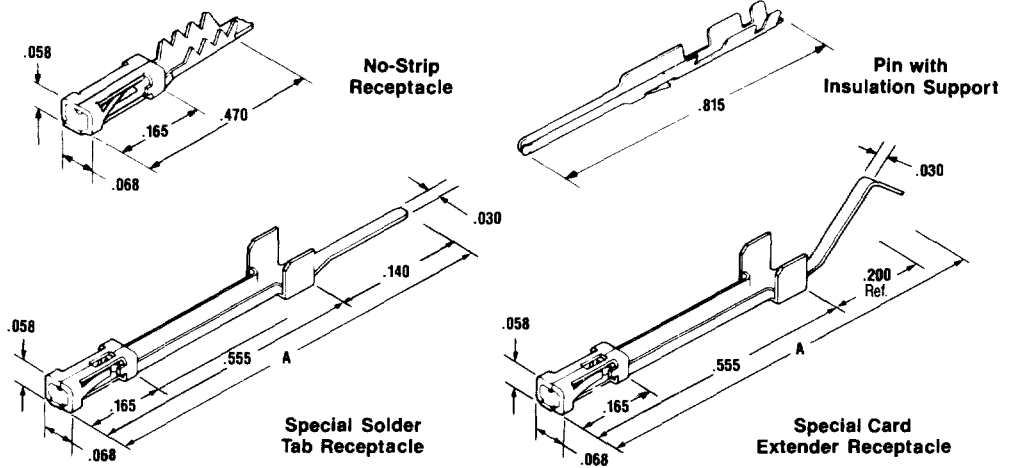
Duplex D— .000015 gold on contact area, .000100-.000200 tin-lead on crimp area, with entire contact underplated .000050 nickel

Sel. Gold/Nickel A— Gold flash over .000050 nickel on entire contact, with additional .000030 gold on contact area

Sel. Gold/Nickel B— Gold flash over .000050 nickel on entire contact, with additional .000015 gold on contact area

Br. Tin-Lead/Nickel A— .000100-.000200 bright tin-lead over .000050 nickel on entire contact

Br. Tin-Lead/Nickel B— .000100-.000200 bright tin-lead over .000030 nickel on entire contact



Crimp Snap-In (No-strip) Receptacles Material: Beryllium copper

Ins. Dia. Range	Plating	Part Numbers		Quick-Change Applicator No. (for AMP-O-ELECTRIC Machine)	Hand Tool
		Strip Form	Loose Form		
.040-.055	Sel. Gold/Nickel A	87107-5	102348-2	687677-2	90381-1
	Br. Tin-Lead/Nickel B	87107-6	102348-3		

Crimp Snap-In Pins with Insulation Support Material: Phosphor bronze

Wire Size Range AWG	Ins. Dia. (Max.)	Plating	Part Numbers		Quick-Change Applicator No. (for AMP-O-ELECTRIC Machine)	Hand Tool
			Strip Form	Loose Form		
26-22	.061	Sel. Gold/Nickel A	102095-3	102107-2	466812-2	90418-1
		Br. Tin-Lead/Nickel A	102095-4	102107-3		
		Sel. Gold/Nickel B	102095-2	102107-1		

Special Solder Tab and Card Extender Receptacles Material: Copper-tin-phosphor alloy 521

Receptacle Type	A Dim.	Plating	Part Numbers
Card Extender*	.755	Duplex C	102075-1
		Duplex D	102075-2
Solder Tab	.695	Duplex D	102437-1
		Br. Tin-Lead/Nickel B	102437-2
	.695	Duplex D	534201-1

*Can be used in Mod. IV wire-applied double row housings, .125 x .250 centers, see page 3171.

Note: Applicators for AMPOMATOR CLS II Machines are available, consult AMP Incorporated.

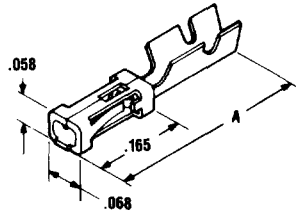
Mod. IV Receptacle Contacts

*Specifications subject to change.
For latest design specifications...
1-800-522-6752*

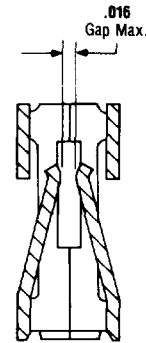
Dimensioning:
Dimensions are in inches

Crimp Snap-In Receptacles with Insulation Support (Standard, Intermediate and High Pressure)

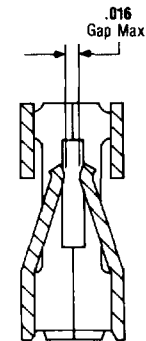
Related Product Data:
Housings Used With - pages 3162 - 3173
Performance Characteristics - page 3158
Application Tooling - page 3221
Technical Documents - page 3223



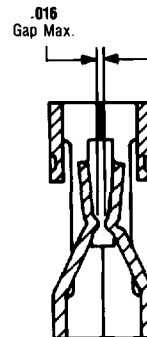
Standard Pressure



Intermediate Pressure



High Pressure



Plating Specifications:

- Duplex C**—.000030 gold on contact area, .000100-.000200 tin-lead on crimp area, with entire contact underplated .000050 nickel
- Duplex D**—.000015 gold on contact area, .000100-.000200 tin-lead on crimp area, with entire contact underplated .000050 nickel
- Sel. Gold/Nickel A**—Gold flash over .000050 nickel on entire contact, with additional .000030 gold on contact area
- Sel. Gold/Nickel B**—Gold flash over .000050 nickel on entire contact, with additional .000015 gold on contact area
- Br. Tin-Lead/Nickel B**—.000100-.000200 bright tin over .000030 nickel on entire contact

Mod. IV Receptacle Contacts

Specifications subject to change.
For latest design specifications...
1-800-522-6752

Dimensioning:
 Dimensions are in inches

Standard Pressure

Wire Size Range AWG	Ins. Dia. (Max.)	A Dim.	Material	Plating	Part Numbers		Quick-Change Applicator for AMP-O-LECTRIC Machine	Applicator for Stripper/Crimper Machine	Hand Tool
					Strip Form	Loose Form			
32-27	.040	.445	Cu-Sn-Ph Bz	Br. Tin-Lead/Nickel B	102316-5	1-102316-2	466655-2	466921-1	90417-1
			Cu-Sn-Ph Bz	Duplex D	102316-6	1-102316-3			
			Cu-Sn-Ph Bz	Duplex C	102316-8	1-102316-4			
			Be Cu	Sel. Gold/Nickel B	102917-5	102917-6			
			Be Cu	Sel. Gold/Nickel A	102917-1	102917-2			
26-22	.061	.445	Cu-Sn-Ph Bz	Br. Tin-Lead/Nickel B	87756-6	87756-7	466571-2	466918-1	90418-1
			Cu-Sn-Ph Bz	Duplex D	1-87756-2	1-87756-6			
			Cu-Sn-Ph Bz	Duplex C	1-87756-7	1-87756-8			
			Be Cu	Br. Tin-Lead/Nickel B	87666-3	87667-3			
			Be Cu	Sel. Gold/Nickel B	87666-5	87667-5			
24-20	.069	.470	Cu-Sn-Ph Bz	Br. Tin-Lead/Nickel B	87523-5	87523-6	466562-2	466905-1	90202-2
			Cu-Sn-Ph Bz	Duplex D	1-87523-5	1-87523-6			
			Cu-Sn-Ph Bz	Duplex C	1-87523-8	1-87523-9			
			Be Cu	Br. Tin-Lead/Nickel B	85969-9	86016-3			
			Be Cu	Sel. Gold/Nickel B	85969-6	86016-5			
			Be Cu	Sel. Gold/Nickel A	85969-8	86016-2			

Intermediate Pressure

Wire Size Range AWG	Ins. Dia. (Max.)	A Dim.	Material	Plating	Part Numbers		Quick-Change Applicator for AMP-O-LECTRIC Machine	Applicator for Stripper/Crimper Machine	Hand Tool
					Strip Form	Loose Form			
32-27	.040	.445	Cu-Sn-Ph Bz	Duplex C	102920-1	102920-2	466655-2	466921-1	90417-1
			Be Cu	Sel. Gold/Nickel B	102918-3	102918-4			
			Be Cu	Sel. Gold/Nickel A	102918-1	102918-2			
26-22	.061	.445	Cu-Sn-Ph Bz	Duplex D	103171-1	103171-2	466571-2	466918-1	90418-1
			Cu-Sn-Ph Bz	Duplex C	103171-4	103171-5			
			Be Cu	Sel. Gold/Nickel B	102548-1	102548-3			
			Be Cu	Sel. Gold/Nickel A	102548-5	102548-6			
24-20	.069	.470	Cu-Sn-Ph Bz	Duplex D	1-87195-7	1-87195-8	466562-2	466905-1	90202-2
			Cu-Sn-Ph Bz	Duplex C	2-87195-0	2-87195-1			
			Be Cu	Br. Tin-Lead/Nickel B	86492-9	87046-4			
			Be Cu	Sel. Gold/Nickel B	86492-2	87046-1			
			Be Cu	Sel. Gold/Nickel A	86492-6	87046-3			

High Pressure

Material: Phosphor Bronze

Wire Size Range AWG	Ins. Dia. (Max.)	A Dim.	Plating	Part Numbers		Quick-Change Applicator for AMP-O-LECTRIC Machine	Applicator for Stripper/Crimper Machine	Hand Tool
				Strip Form	Loose Form			
32-27	.040	.445	Br. Tin-Lead/Nickel B	103455-4	103455-5	466655-2	466921-1	90417-1
			Sel. Gold/Nickel A	103455-1	103455-2			
26-22	.061	.445	Br. Tin-Lead/Nickel B	87809-2	102128-2	466571-2	466918-1	90418-1
			Sel. Gold/Nickel A	87809-1	102128-1			
24-20	.069	.470	Br. Tin-Lead/Nickel B	87309-8	1-87309-3	466562-2	466905-1	90202-2
			Sel. Gold/Nickel A	87309-9	1-87309-4			

Note: Applicators for AMPOMATOR CLS II Machines are available, consult AMP Incorporated.

**Mod. IV Wire-Applied Housings
Single Row, .100 Centers**

*Specifications subject to change.
For latest design specifications...
1-800-522-6752*

Dimensioning:
Dimensions are in inches

**Non-Polarized
(with and
without Strain
Relief/Pull Tab)**

Material:

Black thermoplastic,
flame retardant

Related Product Data:

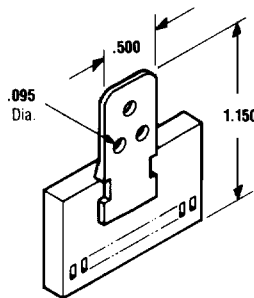
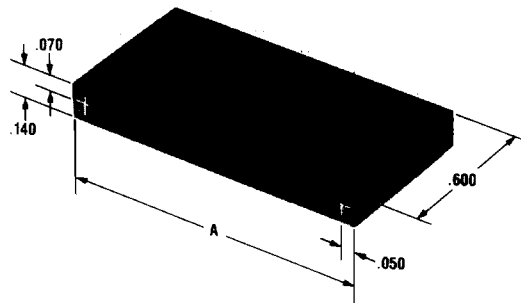
Contacts - pages 3159 - 3161

Mateable Headers and Posts:
Refer to the Mating Post Selection
Guide - page 3142

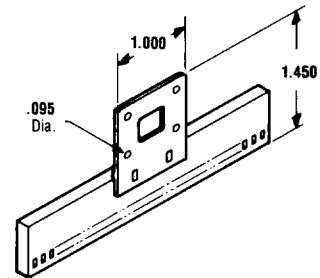
**Unshrouded Headers,
Breakaway and Retention,
Single Row, Straight or Right-
Angle Posts** - pages 3180 - 3183,
3188, 3189, 3192 & 3193

**Shrouded Headers, Single Row,
Straight or Right-Angle Posts** -
pages 3198 & 3199

Technical Documents -
page 3223



**Housing with
Strain Relief/Pull Tab
Strain Relief Part No. 87921-1
(5 thru 9 positions)**



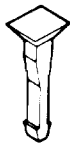
**Housing with
Strain Relief/Pull Tab
Strain Relief Part No. 87975-1
(10 position and larger)**

Printed Circuit Board Connectors

3

Keying Plugs

Material: Natural color nylon



Part No. 86286-1
(Plugs into
receptacle contact)



Part No. 87077-2
(Plugs directly
into housing)

No. of Pos.	A Dim.	Part Numbers			
		without Strain Relief		with Strain Relief	
		Stamped*	Unstamped**	Stamped*	Unstamped**
1	.105	7-87499-1	7-87499-2	—	—
2	.205	87499-3	87499-4	—	—
3	.305	87499-5	87499-6	—	—
4	.405	87499-7	87499-8	—	—
5	.505	87499-9	1-87499-0	—	—
6	.605	1-87499-1	1-87499-2	—	—
7	.705	87499-1	87499-2	—	—
8	.805	1-87499-3	1-87499-4	87339-8	87339-7
9	.905	1-87499-5	1-87499-6	1-87339-0	—
10	1.005	1-87499-7	1-87499-8	—	—
11	1.105	1-87499-9	2-87499-0	—	—
12	1.205	2-87499-1	2-87499-2	—	—
13	1.305	2-87499-3	2-87499-4	—	—
14	1.405	2-87499-5	2-87499-6	2-87339-0	—
15	1.505	2-87499-7	2-87499-8	—	—
16	1.605	2-87499-9	3-87499-0	—	—
17	1.705	3-87499-1	3-87499-2	—	—
18	1.805	3-87499-3	3-87499-4	—	—
19	1.905	3-87499-5	3-87499-6	—	—
20	2.005	3-87499-7	3-87499-8	—	—
21	2.105	3-87499-9	4-87499-0	—	—
22	2.205	4-87499-1	4-87499-2	—	—
25	2.505	4-87499-7	4-87499-8	—	—
26	2.605	—	5-87499-0	—	—
30	3.005	—	5-87499-8	—	—
36	3.605	6-87499-9	7-87499-0	—	—

*Cavity identification, AMP, part number and date code stamped on housing and/or strain relief where size permits.
**No marking on housing or strain relief.

- Notes:**
1. The Strain Relief/Pull Tab can be bonded to any thermoplastic connector housing.
 2. Strain reliefs may be purchased separately.
 3. Contact extraction/lance reset tool—No. 843996-3

Mod. IV Wire-Applied Housings Single Row, .100 Centers

**Specifications subject to change.
For latest design specifications...
1-800-522-6752**

Dimensioning:
Dimensions are in inches

Polarized (with Detent Latching)

Material:

Black thermoplastic,
flame retardant

Related Product Data:

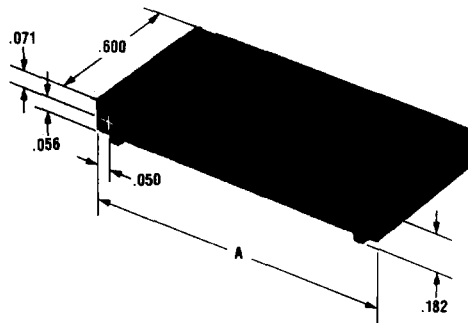
Contacts - pages 3159 - 3161

Mateable Headers and Posts:
Refer to the Mating Post Selection
Guide - page 3142

**Shrouded Headers, Single Row,
Straight or Right-Angle Posts** -
pages 3198 & 3199

**Flexible Film Connectors,
Single Row Pin Assemblies** -
Catalog 82007

Technical Documents -
page 3223



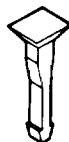
No. of Pos.	A Dim.	Part Numbers Unstamped*
3	.300	102241-1
4	.400	102241-2
5	.500	102241-3
6	.600	102241-4
7	.700	102241-5
8	.800	102241-6
9	.900	102241-7
10	1.000	102241-8
11	1.100	102241-9
12	1.200	1-102241-0
13	1.300	1-102241-1
14	1.400	1-102241-2
15	1.500	1-102241-3
16	1.600	1-102241-4
18	1.800	1-102241-6
20	2.000	1-102241-8
22	2.200	2-102241-0
28	2.800	2-102241-6
30	3.000	2-102241-8
36	3.600	3-102241-4

*No marking on housing.

Note: Contact extraction/lance reset tool—No. 843996-3.

Keying Plugs

Material: Natural color nylon



Part No. 86286-1
(Plugs into
receptacle contact)



Part No. 87077-2
(Plugs directly
into housing)

Mod. IV Wire-Applied Housings Double Row, .100 x .100 Centers

Specifications subject to change.
For latest design specifications...
1-800-522-6752

Dimensioning:
Dimensions are in inches

Non-Polarized (with and without Strain Relief/Pull Tab)

Material:

Black thermoplastic,
flame retardant

Related Product Data:

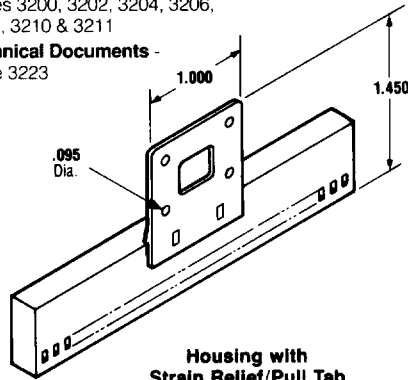
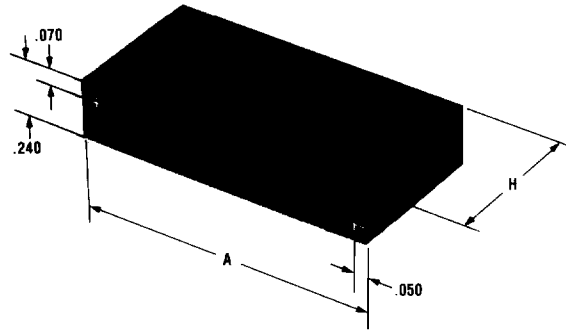
Contacts - pages 3159 - 3161

Mateable Headers and Posts:
Refer to the Mating Post Selection
Guide - page 3142

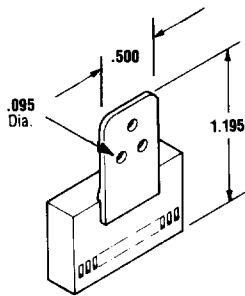
**Unshrouded Headers,
Breakaway and Retention,
Double Row, Straight or Right-
Angle Posts** - pages 3184 - 3187,
3190, 3191, 3194 & 3195

**Shrouded Headers, Double Row,
Straight or Right - Angle Posts** -
pages 3200, 3202, 3204, 3206,
3208, 3210 & 3211

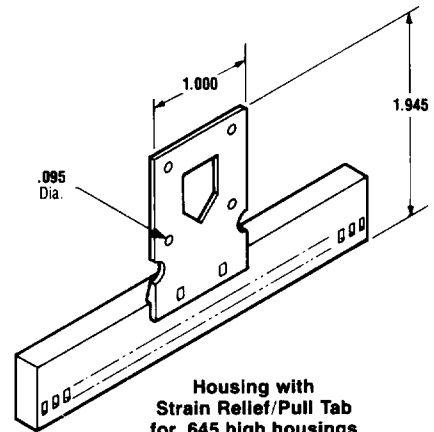
Technical Documents -
page 3223



**Housing with
Strain Relief/Pull Tab
for .600 high housings
Strain Relief Part No. 87975-1**
(20 position and larger)



**Housing with
Strain Relief/Pull Tab
for .645 high housings
Strain Relief Part No. 87921-1**
(10 thru 18 positions)

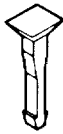


**Housing with
Strain Relief/Pull Tab
for .645 high housings
Strain Relief Part No. 87710-1**
(20 position and larger)

Printed Circuit Board Connectors

Keying Plugs

Material: Natural color nylon



Part No. 86286-1
(Plugs into
receptacle contact)



Part No. 87077-1
(for .645 high housings)
Part No. 87077-2
(for .600 high housings)
(Plugs directly
into housing)

No. of Pos.	A. Dim.	Part Numbers					
		H = .600				H = .645	
		without Strain Relief		with Strain Relief		without Strain Relief	with Strain Relief
		Stamped*	Unstamped**	Stamped*	Unstamped**	Stamped*	Stamped
2	.100	—	5-87456-3	—	—	—	—
4	.200	5-87456-0	4-87456-9	—	—	—	—
6	.300	87456-2	87456-1	—	—	1-86148-8	—
8	.400	87456-4	87456-3	—	—	2-86148-0	—
10	.500	87456-6	87456-5	—	—	1-86148-2	2-87835-0
12	.600	87456-8	87456-7	—	—	1-86148-3	2-87835-1
14	.700	1-87456-0	87456-9	—	—	1-86148-4	2-87835-2
16	.800	1-87456-2	1-87456-1	—	—	1-86148-5	2-87835-3
18	.900	1-87456-4	1-87456-3	—	—	1-86148-6	—
20	1.000	1-87456-6	1-87456-5	—	87832-3	86148-1	—
24	1.200	2-87456-0	1-87456-9	2-87832-5	—	86148-3	—
26	1.300	2-87456-2	2-87456-1	2-87832-1	87832-1	86148-4	—
28	1.400	2-87456-4	2-87456-3	—	—	86148-5	—
30	1.500	2-87456-6	2-87456-5	—	—	—	—
34	1.700	3-87456-0	2-87456-9	2-87832-9	—	86148-8	1-87835-1
38	1.900	3-87456-4	3-87456-3	—	—	—	—
40	2.000	3-87456-6	3-87456-5	2-87832-2	87832-2	1-86148-1	1-87835-4
50	2.500	4-87456-0	3-87456-9	3-87832-4	—	2-86148-1	87835-2
60	3.000	5-87456-2	5-87456-1	—	1-87832-7	—	—

*Cavity identification, AMP, part number and date code stamped on housing and/or strain relief where size permits.

**No marking on housing or strain relief.

- Notes:**
- The Strain Relief/Pull Tab can be bonded to any thermoplastic connector housing.
 - Strain reliefs may be purchased separately.
 - Contact extraction/lance reset tool—No. 843996-3.

Mod. IV Wire-Applied Housings Double Row, .100 x .100 Centers

Specifications subject to change.
For latest design specifications...
1-800-522-6752

Dimensioning:
Dimensions are in inches

Non-Polarized (with Mounting Ears)

Material:

Black thermoplastic,
flame retardant

Related Product Data:

Contacts - pages 3159 - 3161

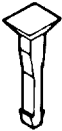
Mateable Headers and Posts:

Refer to the Mating Post Selection
Guide - page 3142

Technical Documents -
page 3223

Keying Plugs

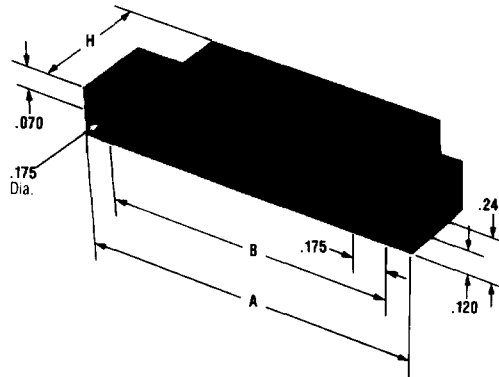
Material: Natural color nylon



Part No. 86286-1
(Plugs into
receptacle contact)



Part No. 87077-1
(for .645 high housings)
Part No. 87077-2
(for .600 high housings)
(Plugs directly
into housing)



No. of Pos.	Dimensions		Part Numbers			
	A	B	H = .600		H = .645	
			Stamped*	Unstamped**	Stamped*	Unstamped**
10	1.000	.750	2-87483-0	1-87483-9	2-86256-5	2-86264-5
12	1.100	.850	2-87483-2	2-87483-1	—	—
14	1.200	.950	—	2-87483-3	—	—
16	1.300	1.050	87483-2	87483-1	2-86256-2	2-86264-2
18	1.400	1.150	—	2-87483-5	—	—
20	1.500	1.250	87483-4	87483-3	2-86256-0	2-86264-0
24	1.700	1.450	3-87483-0	2-87483-0	—	—
26	1.800	1.550	87483-6	87483-5	1-86256-7	1-86264-7
32	2.100	1.850	—	87483-7	1-86256-4	1-86264-4
34	2.200	1.950	3-87483-6	3-87483-5	—	—
36	2.300	2.050	3-87483-8	3-87483-7	—	—
40	2.500	2.250	1-87483-0	87483-9	1-86256-0	1-86264-0
50	3.000	2.750	—	4-87483-7	—	—

*Cavity identification, AMP, part number and date code stamped on housing and/or strain relief where size permits.
**No marking on housing or strain relief.

- Notes:**
1. The Strain Relief/Pull Tab can be bonded to any thermoplastic connector housing.
 2. Mounting hardware is customer supplied.
 3. Contact extraction/lance reset tool—No. 843996-3.

Mod. IV Wire-Applied Housings Double Row, .100 x .100 Centers

Specifications subject to change.
For latest design specifications...
1-800-522-6752

Dimensioning:
Dimensions are in inches

Polarized (with and without Strain Relief/Pull Tab)

Material:

Black thermoplastic,
flame retardant

Related Product Data:

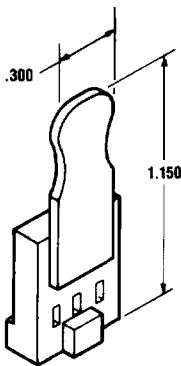
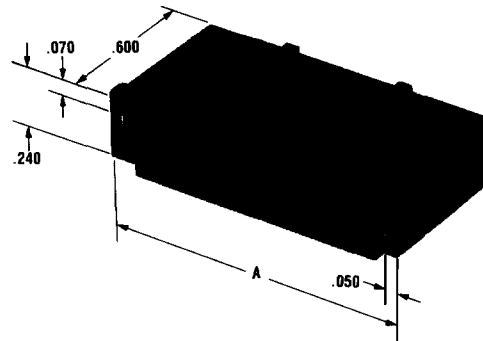
Contacts - pages 3159 - 3161

Mateable Headers and Posts:

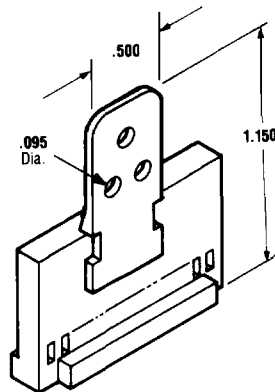
Refer to the Mating Post Selection
Guide - page 3142

**Shrouded Headers, Double Row,
Straight or Right-Angle Posts** -
pages 3200 - 3211

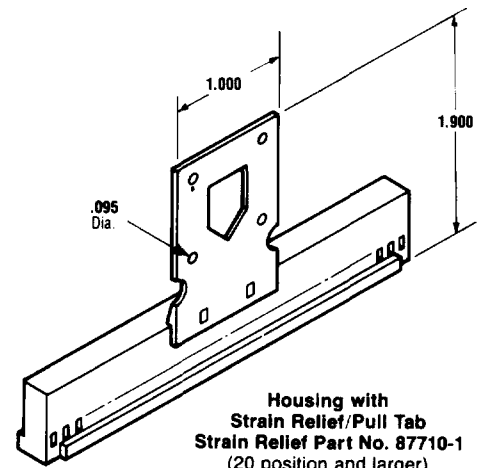
Technical Documents -
page 3223



Housing with
Strain Relief/Pull Tab
Strain Relief Part No. 102168-1
(6 and 8 positions)



Housing with
Strain Relief/Pull Tab
Strain Relief Part No. 87921-1
(10 thru 18 positions)



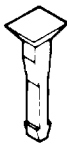
Housing with
Strain Relief/Pull Tab
Strain Relief Part No. 87710-1
(20 position and larger)

Printed Circuit Board Connectors

3

Keying Plugs

Material: Natural color nylon



Part No. 86286-1
(Plugs into
receptacle contact)



Part No. 87077-2
(Plugs directly
into housing)

No. of Pos.	A Dim.	Part Numbers			
		Without Strain Relief		With Strain Relief	
		Stamped*	Unstamped**	Stamped*	Unstamped**
6	.300	87977-1	2-87977-8	—	2-102184-8
8	.400	87977-2	2-87977-9	—	2-102184-9
10	.500	87977-3	3-87977-0	—	3-102184-0
12	.600	87977-4	3-87977-1	102184-4	—
14	.700	87977-5	3-87977-2	—	—
16	.800	87977-6	3-87977-3	—	—
18	.900	—	3-87977-4	102184-7	—
20	1.000	87977-8	3-87977-5	102184-8	—
24	1.200	1-87977-0	3-87977-7	—	—
26	1.300	1-87977-1	3-87977-8	—	—
28	1.400	—	3-87977-9	—	—
34	1.700	—	4-87977-2	—	—
40	2.000	—	4-87977-5	—	—
50	2.500	2-87977-1	4-87977-8	—	—
60	3.000	2-87977-4	5-87977-1	—	5-102184-1

*Cavity identification, AMP, part number and date code stamped on housing and/or strain relief where size permits.

**No marking on housing or strain relief.

- Notes:**
1. The Strain Relief/Pull Tab can be bonded to any thermoplastic connector housing.
 2. Strain reliefs may be purchased separately.
 3. Contact extraction/lance reset tool—No. 843996-3.

Mod. IV Wire-Applied Housings Double Row, .100 x .100 Centers

Specifications subject to change.
For latest design specifications...
1-800-522-6752

Dimensioning:
Dimensions are in inches

Polarized (with Detent Latching, with and without Strain Relief/Pull Tab)

Material:

Black thermoplastic,
flame retardant

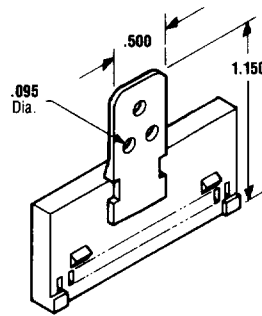
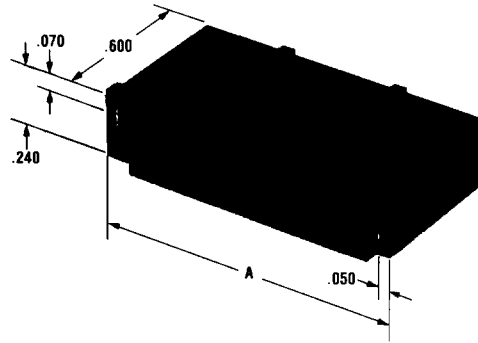
Related Product Data:

Contacts - pages 3159 - 3161

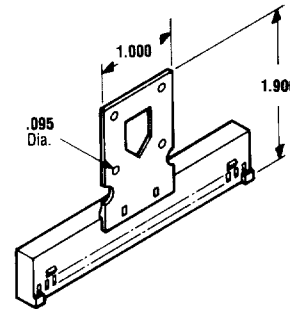
Mateable Headers and Posts:
Refer to the Mating Post Selection
Guide - page 3142

**Shrouded Headers, Double Row,
Straight or Right-Angle Posts** -
pages 3200 - 3211

Technical Documents -
page 3223



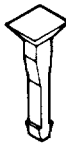
Housing with
Strain Relief/Pull Tab
Strain Relief Part No. 87921-1
(10 thru 18 positions)



Housing with
Strain Relief/Pull Tab
Strain Relief Part No. 87710-1
(20 positions and larger)

Keying Plugs

Material: Natural color nylon



Part No. 86286-1
(Plugs into
receptacle contact)



Part No. 87077-2
(Plugs directly
into housing)

No. of Pos.	Dimensions		No. of Detents	Part Numbers		
	A	B		Without Strain Relief		With Strain Relief Stamped*
				Stamped*	Unstamped**	
6	.200	.300	1	87631-2	87631-1	—
8	.300	.400	1	87631-4	87631-3	—
10	.400	.500	1	87631-6	87631-5	87922-1
12	.500	.600	1	87631-8	87631-7	87922-2
14	.600	.700	1	1-87631-0	87631-9	87922-3
16	.700	.800	1	1-87631-2	1-87631-1	87922-4
18	.800	.900	1	1-87631-4	1-87631-3	87922-5
20	.900	1.000	2	1-87631-6	1-87631-5	87733-1
22	1.000	1.100	2	1-87631-8	1-87631-7	—
24	1.100	1.200	2	2-87631-0	1-87631-9	87733-3
26	1.200	1.300	2	2-87631-2	2-87631-1	87733-4
28	1.300	1.400	2	2-87631-4	2-87631-3	—
30	1.400	1.500	2	2-87631-6	2-87631-5	87733-6
32	1.500	1.600	2	2-87631-8	2-87631-7	87733-7
34	1.600	1.700	2	3-87631-0	2-87631-9	87733-8
36	1.700	1.800	2	3-87631-2	3-87631-1	87733-9
38	1.800	1.900	2	3-87631-4	3-87631-3	—
40	1.900	2.000	2	3-87631-6	3-87631-5	1-87733-1
42	2.000	2.100	2	3-87631-8	3-87631-7	—
44	2.100	2.200	2	4-87631-0	3-87631-9	—
50	2.400	2.500	2	4-87631-2	4-87631-1	1-87733-4
52	2.500	2.600	2	4-87631-4	4-87631-3	—
54	2.600	2.700	2	4-87631-6	4-87631-5	—
56	2.700	2.800	2	6-87631-2	6-87631-1	—
60	2.900	3.000	2	5-87631-2	5-87631-1	1-87733-7
64	3.100	3.200	2	6-87631-6	6-87631-5	—
72	3.500	3.600	2	5-87631-8	5-87631-7	—

*Cavity identification, AMP, part number and date code stamped on housing and/or strain relief where size permits.

**No marking on housing or strain relief.

- Notes:
1. The Strain Relief/Pull Tab can be bonded to any thermoplastic connector housing.
 2. Strain reliefs may be purchased separately.
 3. Contact extraction/lance reset tool—No. 843996-3.

Mod. IV Wire-Applied Housings Double Row, .100 x .100 Centers

Specifications subject to change.
For latest design specifications...
1-800-522-6752

Dimensioning:
Dimensions are in inches

Center Polarized

Material:

Black thermoplastic,
flame retardant

Related Product Data:

Contacts - pages 3159 - 3161

Mateable Headers and Posts -
Refer to the Mating Post Selection
Guide - page 3142

**Low Profile Shrouded Headers,
Double Row, Straight or Right-
Angle Posts** - Catalog 82187

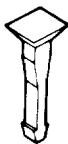
**Low Profile Shrouded Headers,
Double Row, Straight or Right-
Angle Posts, with Ejection
Latches** - Catalog 82187

**AMP-LATCH Ejection Headers
with .576 Ejection Latches** -
Catalog 82012, Part Nos. 102186-1
& 102320-1

Technical Documents -
page 3223

Keying Plugs

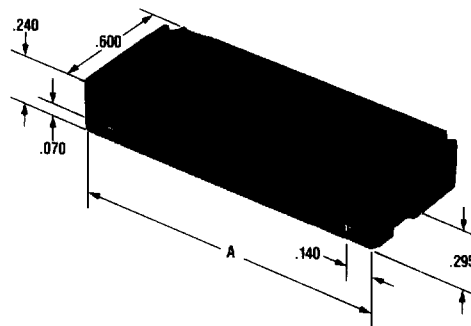
Material: Natural color nylon



Part No. 86286-1
(Plugs into
receptacle contact)



Part No. 87077-2
(Plugs directly
into housing)



No. of Pos.	A Dim.	Part Numbers Unstamped*
10	.680	102387-1
14	.880	102387-2
16	.980	102387-3
20	1.180	102387-4
24	1.380	102387-5
26	1.480	102387-6
30	1.680	102387-7
34	1.880	102387-8
40	2.180	102387-9
44	2.380	1-102387-3
50	2.680	1-102387-0
60	3.180	1-102387-1
64	3.380	1-102387-2

*No marking on housing.

Note: Contact extraction/lance reset tool—No.843996-3.

Specifications subject to change.
For latest design specifications...
1-800-522-6752

Dimensioning:
Dimensions are in inches

Mod. IV Wire-Applied Housings Double Row, .100 x .200 Centers Triple Row, .100 Grid

Double Row .100 x .200 Centers Non-Polarized

Material:

Black thermoplastic,
flame retardant

Related Product Data:

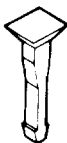
Contacts - pages 3159 - 3161

Mateable Headers and Posts -
Refer to the Mating Post Selection
Guide - page 3142

Technical Documents -
page 3223

Keying Plugs

Material: Natural color nylon



Part No. 86286-1
(Plugs into
receptacle contact)



Part No. 87077-2
(Plugs directly
into housing)

Triple Row, .100 Grid Polarized (Raised Surfaces on Rear of Housing For Orientation)

Material:

Black thermoplastic,
flame retardant

Related Product Data:

Contacts - pages 3159 - 3161

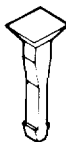
Mateable Headers and Posts -
Refer to the Mating Post Selection
Guide - page 3142

**Unshrouded Headers,
Triple Row** - page 3196

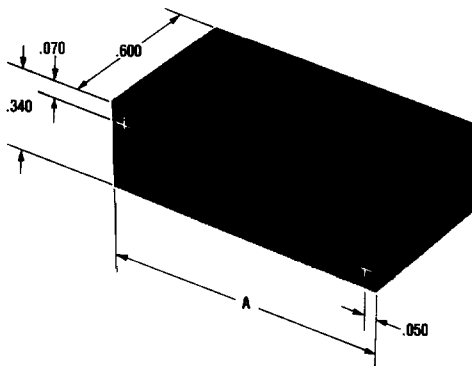
Technical Documents -
page 3223

Keying Plugs

Material: Natural color nylon



Part No. 86286-1
(Plugs into
receptacle contact)

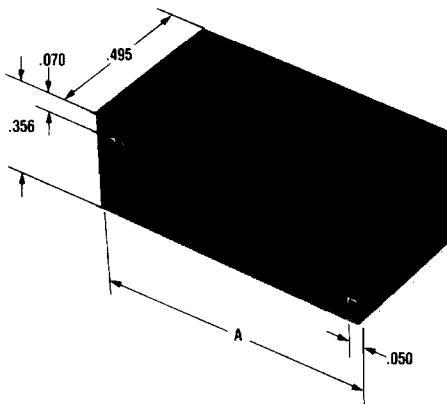


No. of Pos.	A Dim.	Part Numbers	
		Stamped*	Unstamped**
10	.500	86450-2	86451-2
12	.600	86450-3	86451-3
16	.800	86450-5	86451-5
20	1.000	86450-7	86451-7
22	1.100	86450-8	86451-8
24	1.200	86450-9	86451-9
30	1.500	1-86450-2	1-86451-2
34	1.700	1-86450-4	1-86451-4
38	1.900	1-86450-6	1-86451-6
40	2.000	1-86450-7	1-86451-7
50	2.500	2-86450-2	2-86451-2
60	3.000	2-86450-7	2-86451-7
72	3.600	3-86450-3	3-86451-3
80	4.000	3-86450-7	3-86451-7

*AMP, part no. and date code stamped on housing where size permits.

**No marking on housing.

Note: Contact extraction/lance reset tool—No. 843996-3.



No. of Pos.	A Dim.	Part Numbers	
		Stamped*	Unstamped**
27	.900	86308-1	86308-2
42	1.400	86308-6	86308-5
60	2.000	86308-4	86308-3

*Cavity identification, AMP, part no. and date code stamped on housing where size permits.

**No marking on housing.

Note: Contact extraction tool—No. 843473-1

Specifications subject to change.
For latest design specifications...
1-800-522-6752

Dimensioning:
 Dimensions are in inches

Mod. IV Wire-Applied Housings Single Row, .125 Centers Double Row, .125 x .125 Centers

Single Row .125 Centers Non-Polarized

Material:

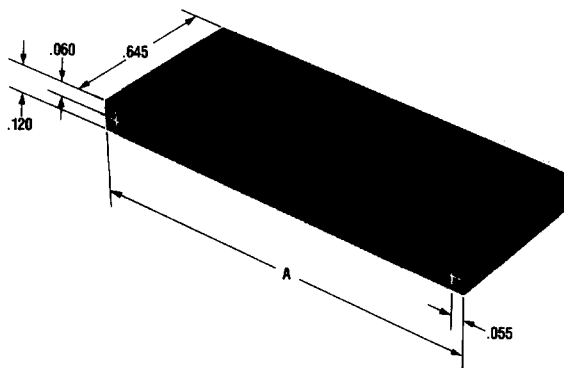
Black thermoplastic,
 flame retardant

Related Product Data:

Contacts - pages 3159 - 3161

Mateable Headers and Posts -
 Refer to the Mating Post Selection
 Guide - page 3142

Technical Documents -
 page 3223



No. of Pos.	A Dim.	Part Numbers	
		Stamped*	Unstamped**
2	.235	86402-5	86401-5
3	.360	86402-9	86401-9
4	.485	86402-2	86401-2
5	.610	86402-6	86401-6
6	.735	1-86402-4	1-86401-4
8	.985	86402-3	86401-3
10	1.235	86402-8	86401-8
12	1.485	86402-4	86401-4
14	1.735	86402-7	86401-7
20	2.485	86402-1	86401-1

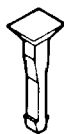
*Cavity identification, AMP, part no. and date code stamped on housing and or strain relief where size permits.

**No marking on housing or strain relief.

Note: Contact extraction/lance reset tool—No. 843996-2.

Keying Plugs

Material: Natural color nylon



Part No. 86286-1
 (Plugs into
 receptacle
 contact)



Part No. 87077-2
 (Plugs directly
 into housing)

Double Row .125 x .125 Centers Non-Polarized

Material:

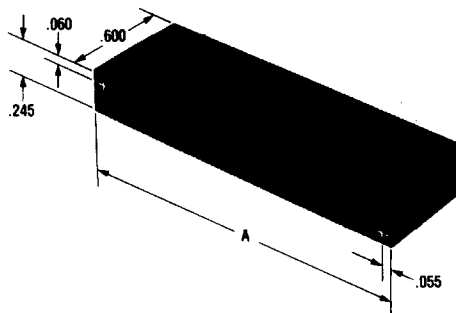
Black thermoplastic,
 flame retardant

Related Product Data:

Contacts - pages 3159 - 3161

Mateable Headers and Posts -
 Refer to the Mating Post Selection
 Guide - page 3142

Technical Documents -
 page 3223



No. of Pos.	A Dim.	Part Numbers	
		Stamped*	Unstamped**
6	.360	102454-3	102454-4
32	1.985	2-102454-9	3-102454-0
42	2.610	3-102454-9	4-102454-0
50	3.110	4-102454-7	4-102454-8
56	3.485	5-102454-3	5-102454-4

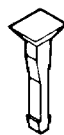
*Cavity identification, AMP, part no. and date code stamped on housing and/or strain relief where size permits.

**No marking on housing or strain relief.

Note: Contact extraction/lance reset tool—No. 843996-2.

Keying Plugs

Material: Natural color nylon



Part No. 86286-1
 (Plugs into
 receptacle
 contact)



Part No. 87077-2
 (Plugs directly
 into housing)

Printed Circuit Board Connectors

3

Mod. IV Wire-Applied Housings Double Row, .125 x .250 Centers

Specifications subject to change.
For latest design specifications...
1-800-522-6752

Dimensioning:
Dimensions are in inches

Polarized (with Center Rib)

Material:

Black thermoplastic,
flame retardant

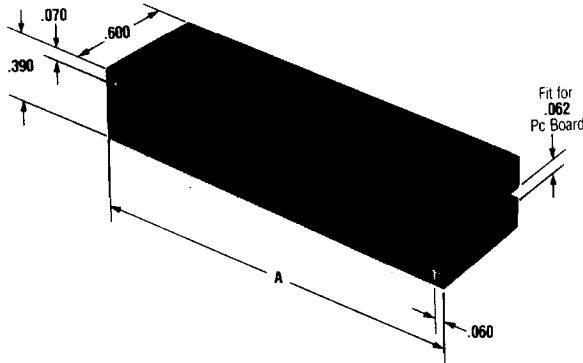
Related Product Data:

Contacts - pages 3159 - 3161

Mateable Headers and Posts -
Refer to the Mating Post Selection
Guide - page 3142

End Shrouds - page 3219

Technical Documents -
page 3223



No. of Pos.	A Dim.	Part Numbers	
		Stamped*	Unstamped**
4	.249	—	102056-2
16	.999	—	102056-8
20	1.249	1-102064-0	1-102056-0
24	1.499	—	1-102056-2
34	2.124	—	1-102056-7
40	2.499	2-102064-0	2-102056-0
56	3.499	2-102064-8	2-102056-8
60	3.749	—	3-102056-0
64	3.999	—	3-102056-2
72	4.499	3-102064-6	3-102056-6
80	4.999	4-102064-0	4-102056-0
84	5.249	—	4-102056-2
100	6.249	5-102064-0	5-102056-0

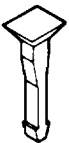
*Cavity identification, AMP, part no. and date code stamped on housing where size permits.

**No marking on housing.

Note: 1. These housings also accept card extender contacts shown on page 3159.
2. Contact extraction/lance reset tool—No. 843196-3.

Keying Plugs

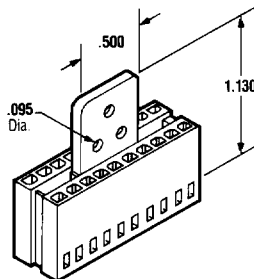
Material: Natural color nylon



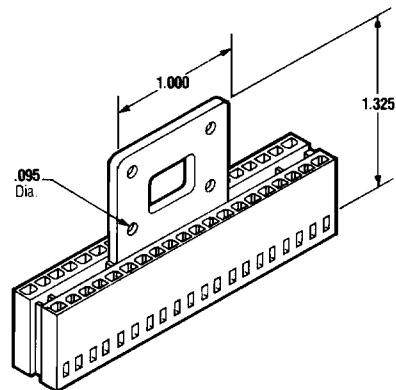
Part No. 86286-1
(Plugs into receptacle contact)



Part No. 87077-2
(Plugs directly into housing)



Snap-In Strain Relief
Part No. 102058-1
(10 thru 20 position)



Snap-In Strain Relief
Part No. 102059-1
(20 position and larger)

Mod. IV Wire-Applied Housings Single Row, .150 Centers

Specifications subject to change.
For latest design specifications...
1-800-522-6752

Dimensioning:
Dimensions are in inches

Non-Polarized

Material:

Black thermoplastic,
flame retardant

Related Product Data:

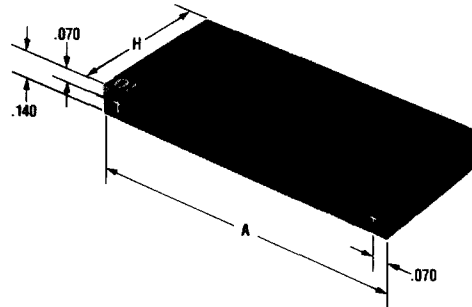
Contacts - pages 3159 - 3161

Mateable Headers and Posts -

Refer to the Mating Post Selection
Guide - page 3142

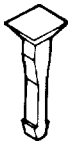
End Shrouds - page 3219

Technical Documents -
page 3223



Keying Plugs

Material: Natural color nylon



Part No. 86286-1
(Plugs into
receptacle contact)



Part No. 87077-1
(for .645 Housings)
Part No. 87077-2
(for .600 Housings)
(Plugs directly
into housing)

No. of Pos.	A Dim.	Part Numbers		
		H = .600		H = .645
		Stamped*	Unstamped**	Stamped*
2	.290	—	—	86459-2
3	.440	102269-4	102269-3	86459-3
5	.740	102269-8	102269-7	86459-5
6	.890	1-102269-0	102269-9	—
7	1.040	1-102269-2	1-102269-1	—
8	1.190	1-102269-4	1-102269-3	86459-8
10	1.490	1-102269-6	1-102269-5	1-86459-0
12	1.790	—	—	1-86459-2
14	2.090	—	—	1-86459-4
21	3.140	—	—	1-86459-5

*Cavity identification, AMP, part no. and date code stamped on housing where size permits.

**No marking on housing.

Note: Contact extraction/lance reset tool—No. 843996-3.

Mod. IV Wire-Applied Housings Double Row, .150 x .150 Centers

**Specifications subject to change.
For latest design specifications...
1-800-522-6752**

Dimensioning:
Dimensions are in inches

Non-Polarized

Material:

Black thermoplastic,
flame retardant

Related Product Data:

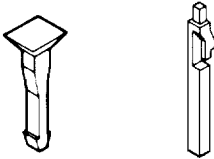
Contacts - pages 3159 - 3161

Mateable Headers and Posts -
Refer to the Mating Post Selection
Guide - page 3142

Technical Documents -
page 3223

Keying Plugs

Material: Natural color nylon



Part No. 86286-1
(Plugs into
receptacle
contact)

Part No. 87077-1
(Plugs directly
into housing)

Non-Polarized (with Mounting Ears)

Material:

Black thermoplastic,
flame retardant

Related Product Data:

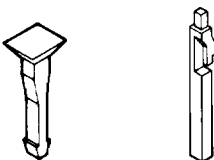
Contacts - pages 3159 - 3161

Mateable Headers and Posts -
Refer to the Mating Post Selection
Guide - page 3142

Technical Documents -
page 3223

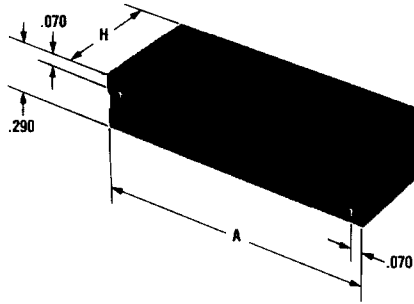
Keying Plugs

Material: Natural color nylon



Part No. 86286-1
(Plugs into
receptacle
contact)

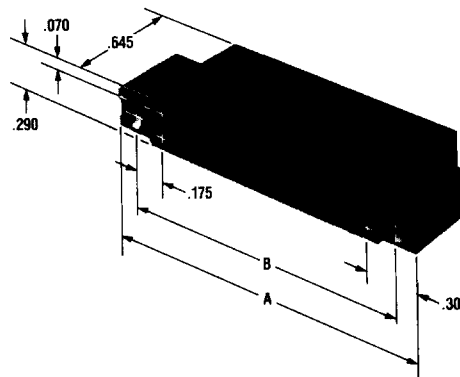
Part No. 87077-1
(Plugs directly
into housing)



No. of Pos.	A Dim.	Part Numbers			
		H = .545		H = .645	
		Stamped*	Unstamped**	Stamped*	Unstamped**
4	.290	—	—	—	87146-1
6	.440	—	1-86263-9	87147-2	87146-2
8	.590	2-86262-0	2-86263-0	87147-3	87146-3
10	.740	86262-1	86263-1	87147-4	87146-4
12	.890	86262-2	86263-2	87147-5	87146-5
14	1.040	86262-3	86263-3	87147-6	87146-6
16	1.190	86262-4	86263-4	87147-7	87146-7
18	1.340	86262-5	86263-5	87147-8	87146-8
20	1.490	86262-6	86263-6	87147-9	87146-9
28	2.090	—	—	1-87147-1	1-87146-1
30	2.240	1-86262-1	1-86263-1	1-87147-2	1-87146-2
32	2.390	—	—	1-87147-3	1-87146-3
40	2.990	1-86262-6	1-86263-6	1-87147-4	1-87146-4
50	3.740	2-86262-3	2-86263-3	—	—
84	6.290	2-86262-4	2-86263-4	—	—

*Cavity identification, AMP, part no. and date code stamped on housing where size permits.
**No marking on housing.

Note: Contact extraction/lance reset tool—No. 843996-3.



No. of Pos.	Dimensions		Part Numbers	
	A	B	Stamped*	Unstamped**
10	1.200	.950	87149-6	87148-6
12	1.350	1.100	87149-8	87148-8
20	1.950	1.700	87149-2	87148-2
28	2.550	2.300	87149-3	87148-3
32	2.850	2.600	87149-4	87148-4
40	3.450	3.200	87149-5	87148-5
60	4.950	4.700	87149-7	87148-7

*Cavity identification, AMP, part no. and date code stamped on housing where size permits.
**No marking on housing.

Note: Contact extraction/lance reset tool—No. 843996-3.