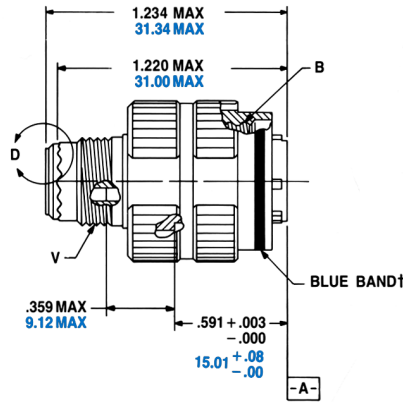


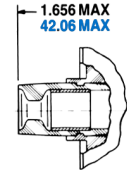
TV06R (D38999/26)* – crimp, metal CTV06R (D38999/26)** – crimp, composite straight plug

TV06RW-XX-XXX
TVS06RK-XX-XXX
TVS06RF-XX-XXX
TVS06RS-XX-XXX

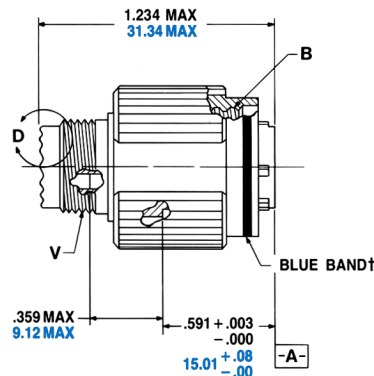
D38999/26



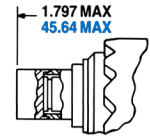
VIEW D
FOR SIZE 8 COAXIAL
ONLY, RELATIVE TO -A-



CTV06RW-XX-XXX
CTVS06RF-XX-XXX



VIEW D
FOR SIZE 8 TWINAX
ONLY, RELATIVE TO -A-



† Blue band indicates rear release contact retention system

* To complete order number for TV metal connectors, see pages 32 and 33.

** To complete order number for CTV composite connectors, see pages 34 and 35.

Inches

| Shell Size | MS Shell Size Code | B Thread 0.1P-0.3L-TS-2B (Plated) | Q Dia. Max. |
|------------|--------------------|---|-------------------|
| 9 | A | .6250 | .859 |
| 11 | B | .7500 | .969 |
| 13 | C | .8750 | 1.141 |
| 15 | D | 1.0000 | 1.266 |
| 17 | E | 1.1875 | 1.391 |
| 19 | F | 1.2500 | 1.500 |
| 21 | G | 1.3750 | 1.625 |
| 23 | H | 1.5000 | 1.750 |
| 25 | J | 1.6250 | 1.875 |

Millimeters

| Shell Size | MS Shell Size Code | Q Max. | V Thread Metric |
|------------|--------------------|-----------|-----------------------|
| 9 | A | 21.82 | M12X1-6g |
| 11 | B | 24.62 | M15X1-6g |
| 13 | C | 28.98 | M18X1-6g |
| 15 | D | 32.16 | M22X1-6g |
| 17 | E | 35.33 | M25X1-6g |
| 19 | F | 38.10 | M28X1-6g |
| 21 | G | 41.28 | M31X1-6g |
| 23 | H | 44.45 | M34X1-6g |
| 25 | J | 47.63 | M37X1-6g |

All dimensions for reference only.